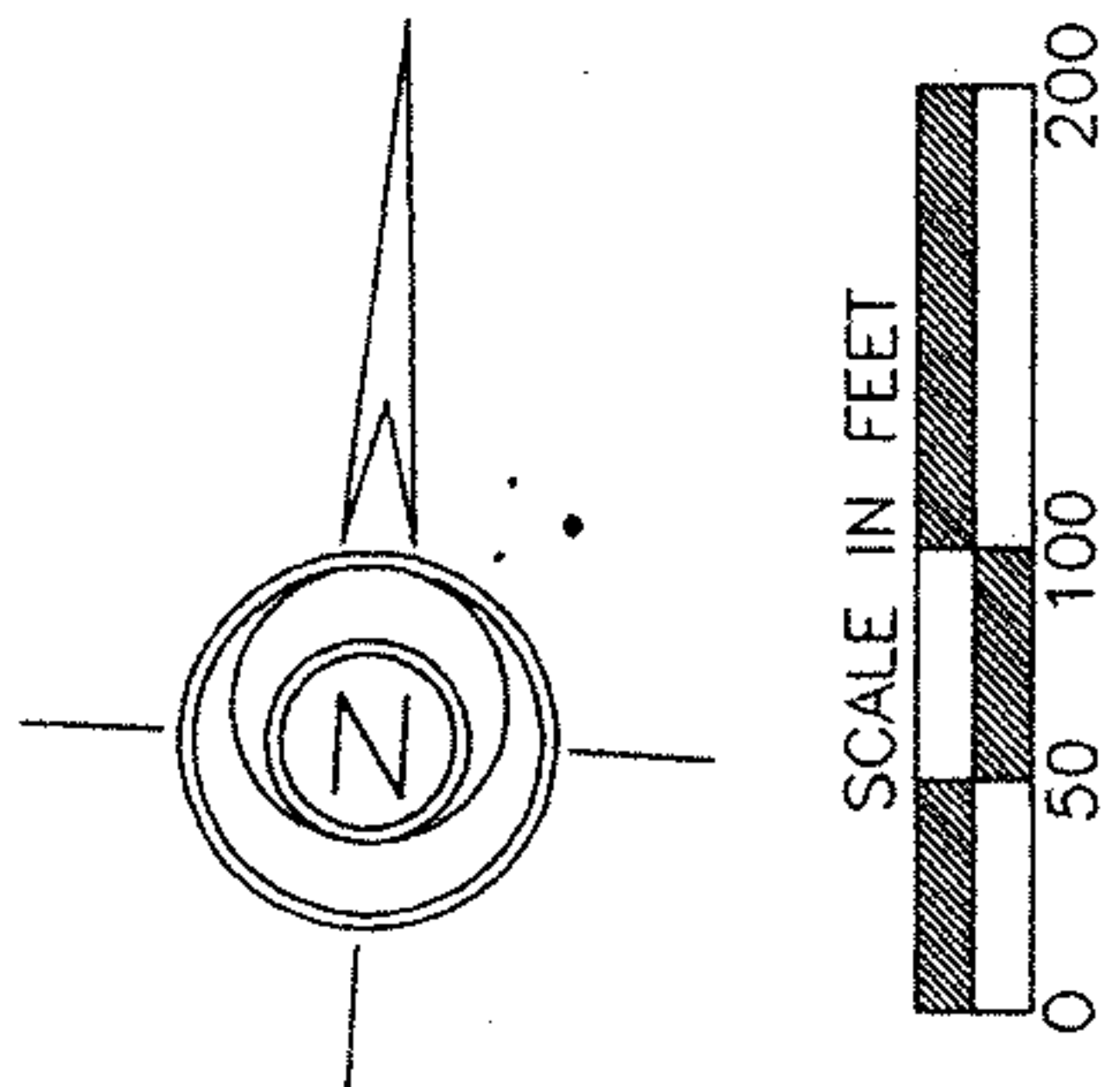


John Hancock & Associates
 INCORPORATED
 ENGINEERS - SURVEYORS
 326 E. MARKET STREET SANDUSKY, OHIO 44870
 (419) 625-7838

PLAT OF SURVEY
 PART OF ORIGINAL AVON TOWNSHIP
 SECTION 22
 CITY OF AVON, LORAIN COUNTY, OHIO

JOB NO.: 117099
 DRN BY: JAF
 FILE NO.: 117099
 DATE: 12/13/99
 SCALE: 1" = 100'
 SHEET NO.: 1 OF 1



#00459

APPROVED
 LORAIN CO.
 MAP DEPT.
 DATE 6-9-00
 PAGE 04-00-022-G
 BY J. Hatfield
 *00-00459

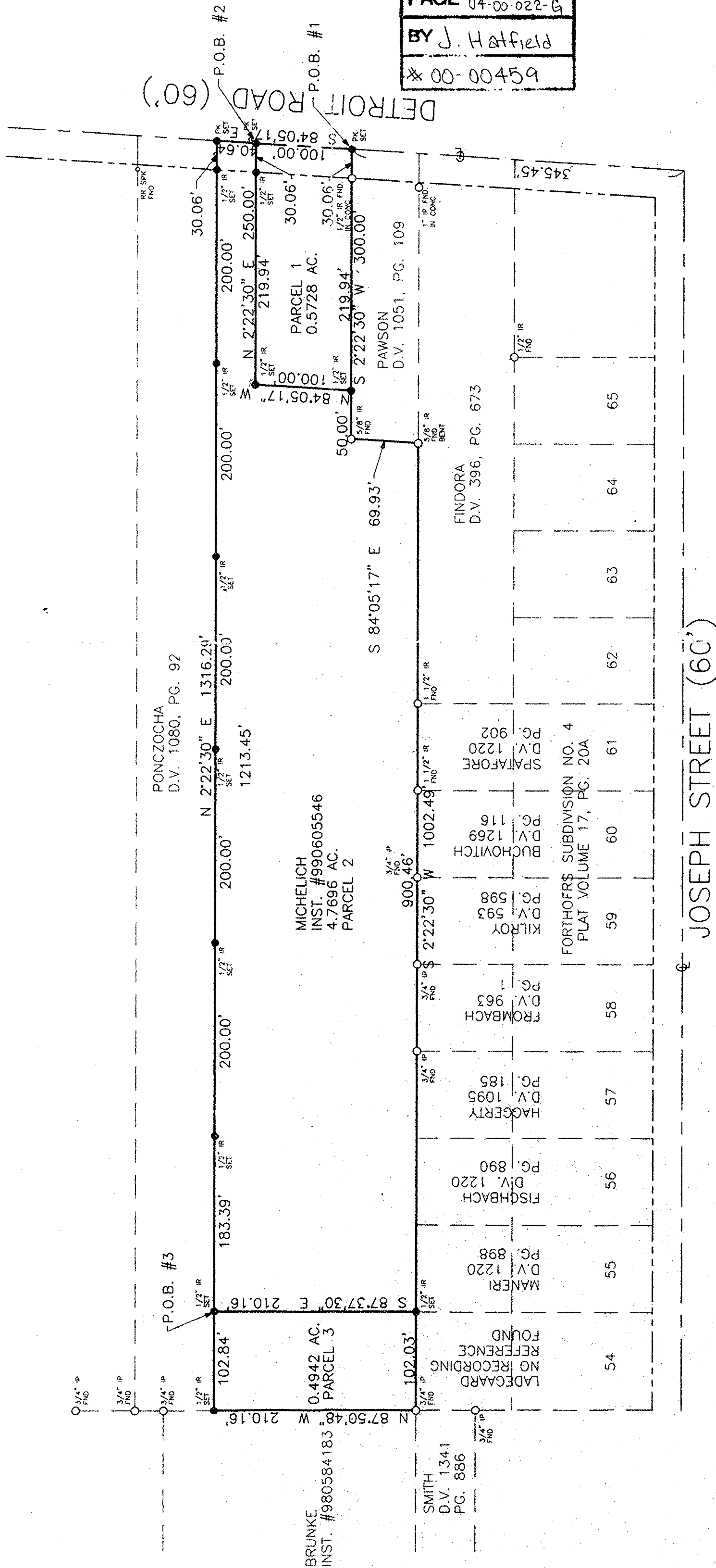
SURVEY FOR:
 JOEL MICHELICH
 2749 ELIZABETH DR.
 AVON, OH 44011



BEARINGS HEREON ARE BASED UPON A
 BEARING OF S 02°22'30" W FOR THE
 EAST LINE OF MICHELICH LANDS.

I HEREBY CERTIFY THAT THIS PLAT
 WAS PREPARED FROM AN ACTUAL FIELD
 SURVEY OF THE PREMISES CONDUCTED
 BY ME PURSUANT TO CHAPTER 4733-37
 OF THE OHIO ADMINISTRATIVE CODE.

James A. Faetanini
 JAMES A. FAETANINI, P.S.
 OHIO R.L.S. 7379



#00459

APPROVED
 LORAIN CO.
 MAP DEPT.
 DATE 6-9-00
 PAGE 04-00-022-G
 BY J. Hatfield
 *00-00459