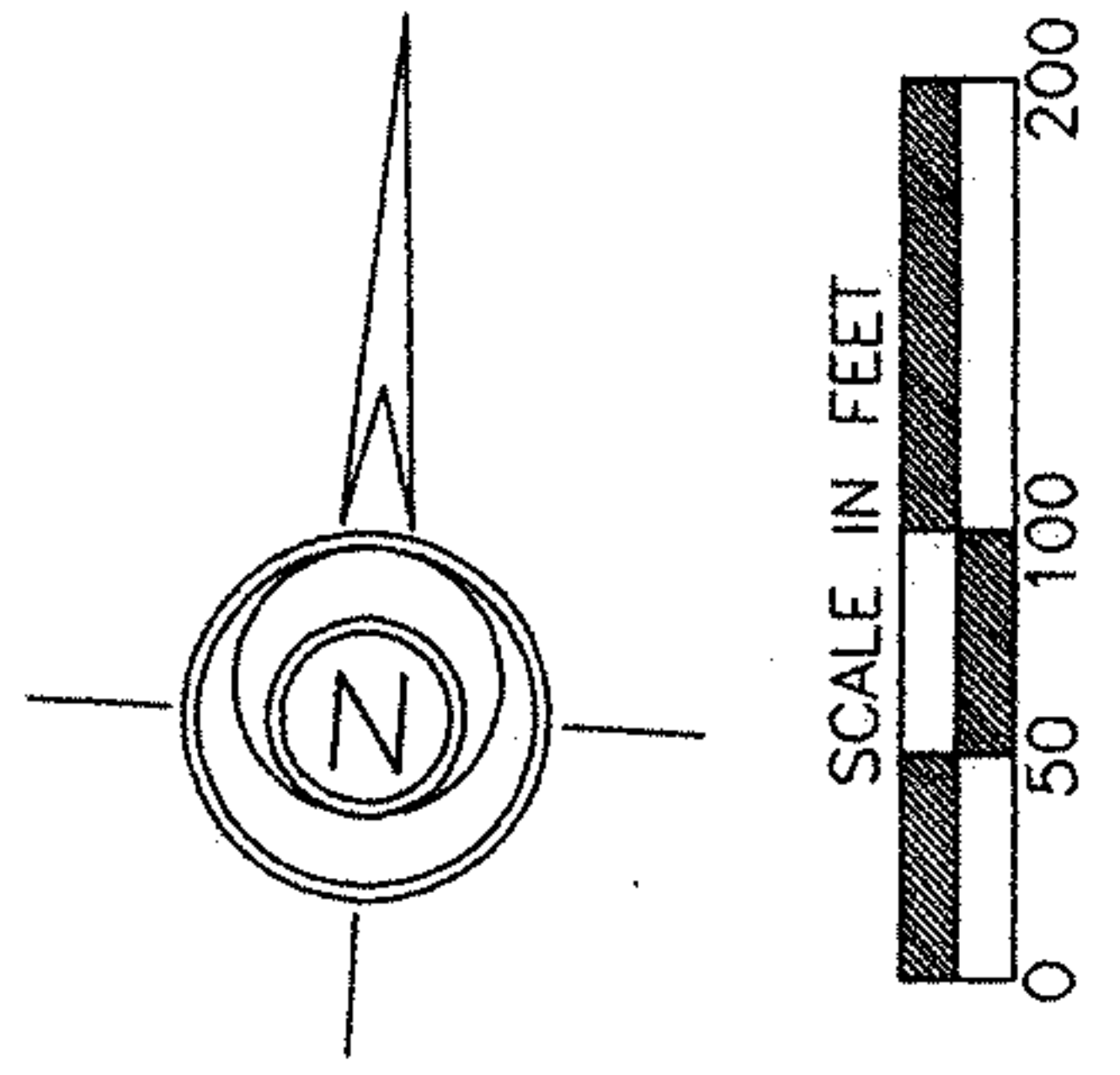


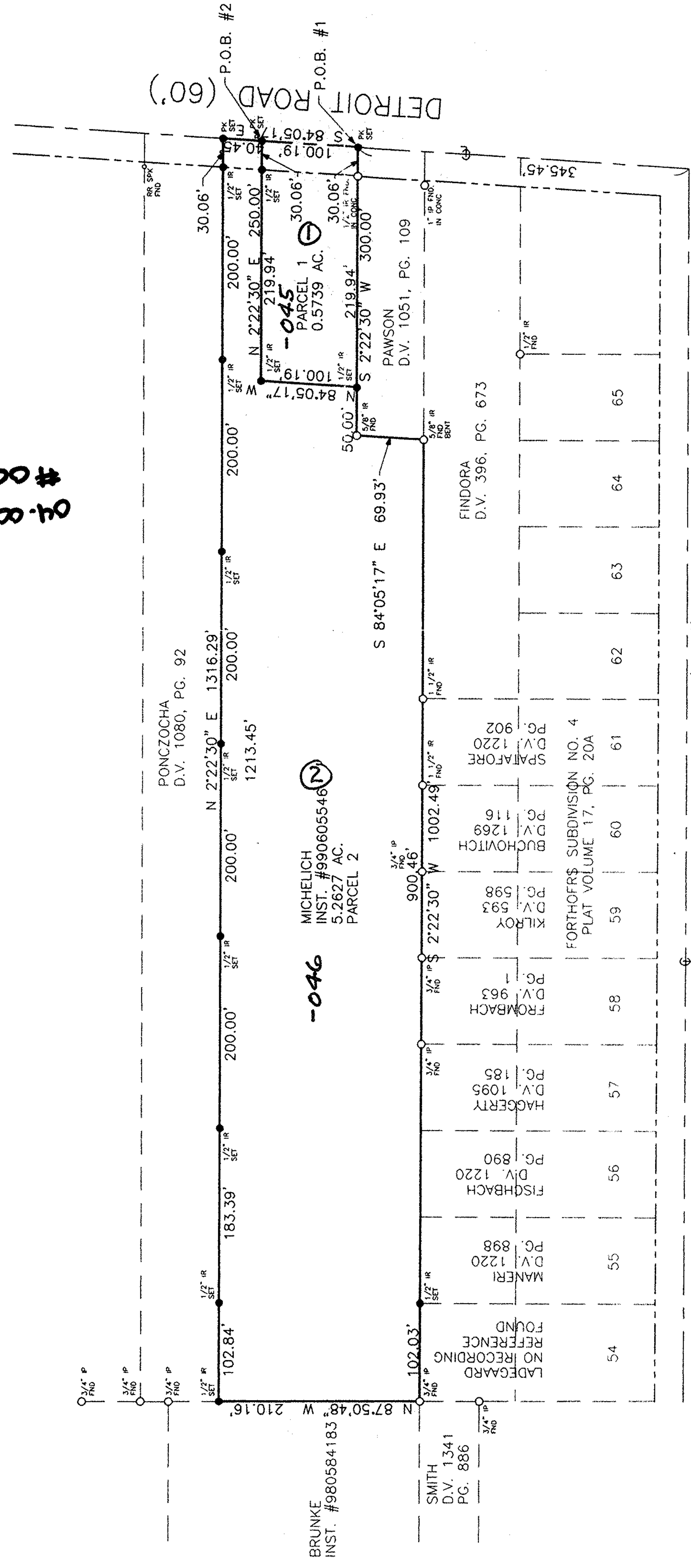
John Hancock & Associates
 INCORPORATED
 ENGINEERS - SURVEYORS
 326 E. MARKET STREET
 SANDUSKY, OHIO 44870
 (419) 625-7838

PLAT OF SURVEY
 PART OF ORIGINAL AVON TOWNSHIP
 SECTION 22
 CITY OF AVON, LORAIN COUNTY, OHIO

3/16/00 REVISED PARCELS
 JAF
 JOB NO.: 117099
 DRN BY: JAF
 FILE NO.: 117099
 DATE: 12/13/99
 SCALE: 1" = 100'
 SHEET NO.: 1 OF 1



#00404
 04-00-022-105-045



#00404
 APPROVED
 LORAIN CO.
 MAP DEPT
 DATE 4-13-2000
 PAGE 400 022-8
 BY *J. Faetanini*
 #00404



SURVEY FOR:
 JOEL MICHELICH
 2749 ELIZABETH DR.
 AVON, OH 44011

BEARINGS HEREON ARE BASED UPON A
 BEARING OF S 02°22'30" W FOR THE
 EAST LINE OF MICHELICH LANDS.

I HEREBY CERTIFY THAT THIS PLAT
 WAS PREPARED FROM AN ACTUAL FIELD
 SURVEY OF THE PREMISES CONDUCTED
 BY ME PURSUANT TO CHAPTER 4733-37
 OF THE OHIO ADMINISTRATIVE CODE.

James A. Faetanini
 JAMES A. FAETANINI, P.S.
 OHIO R.L.S. 7379

54	NO RECORDING REFERENCE FOUND	MANERI D.V. 1220 PG. 898	FISCHBACH D.V. 1220 PG. 890	HACCERTY D.V. 1095 PG. 185	FROMBACH D.V. 963 PG. 1	KILROY D.V. 593 PG. 598	BUCHOVITCH D.V. 1268 PG. 116	SPAFORRE D.V. 1220 PG. 902	65	64	63	62	61	60	59	58	57	56	55	54
----	------------------------------------	--------------------------------	-----------------------------------	----------------------------------	-------------------------------	-------------------------------	------------------------------------	----------------------------------	----	----	----	----	----	----	----	----	----	----	----	----

JOSEPH STREET (60')

DETROIT ROAD (60')