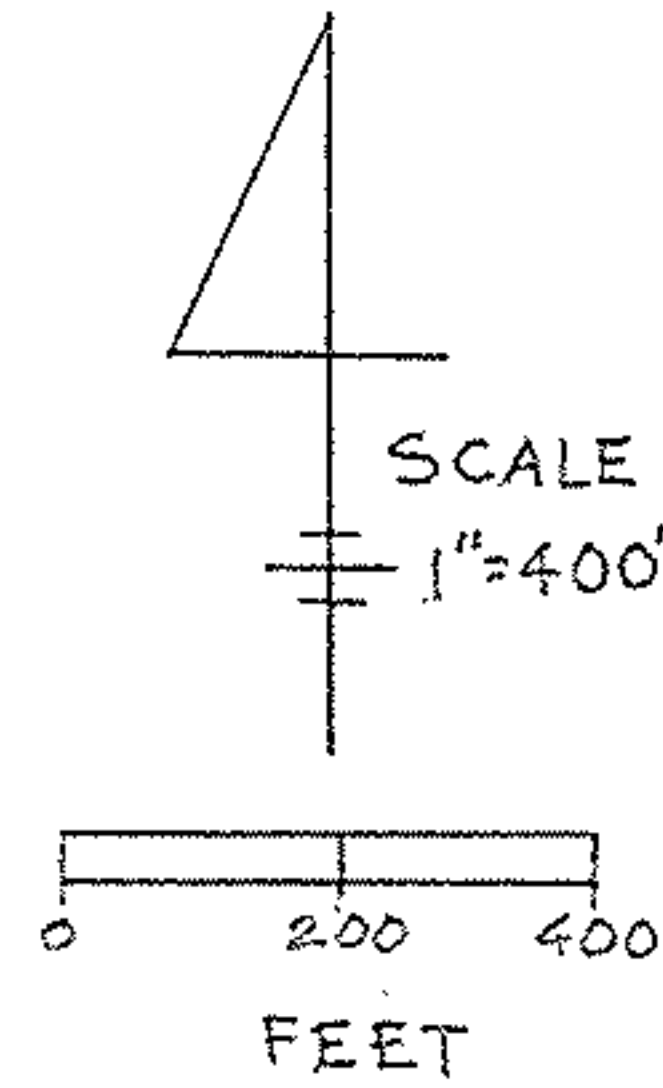
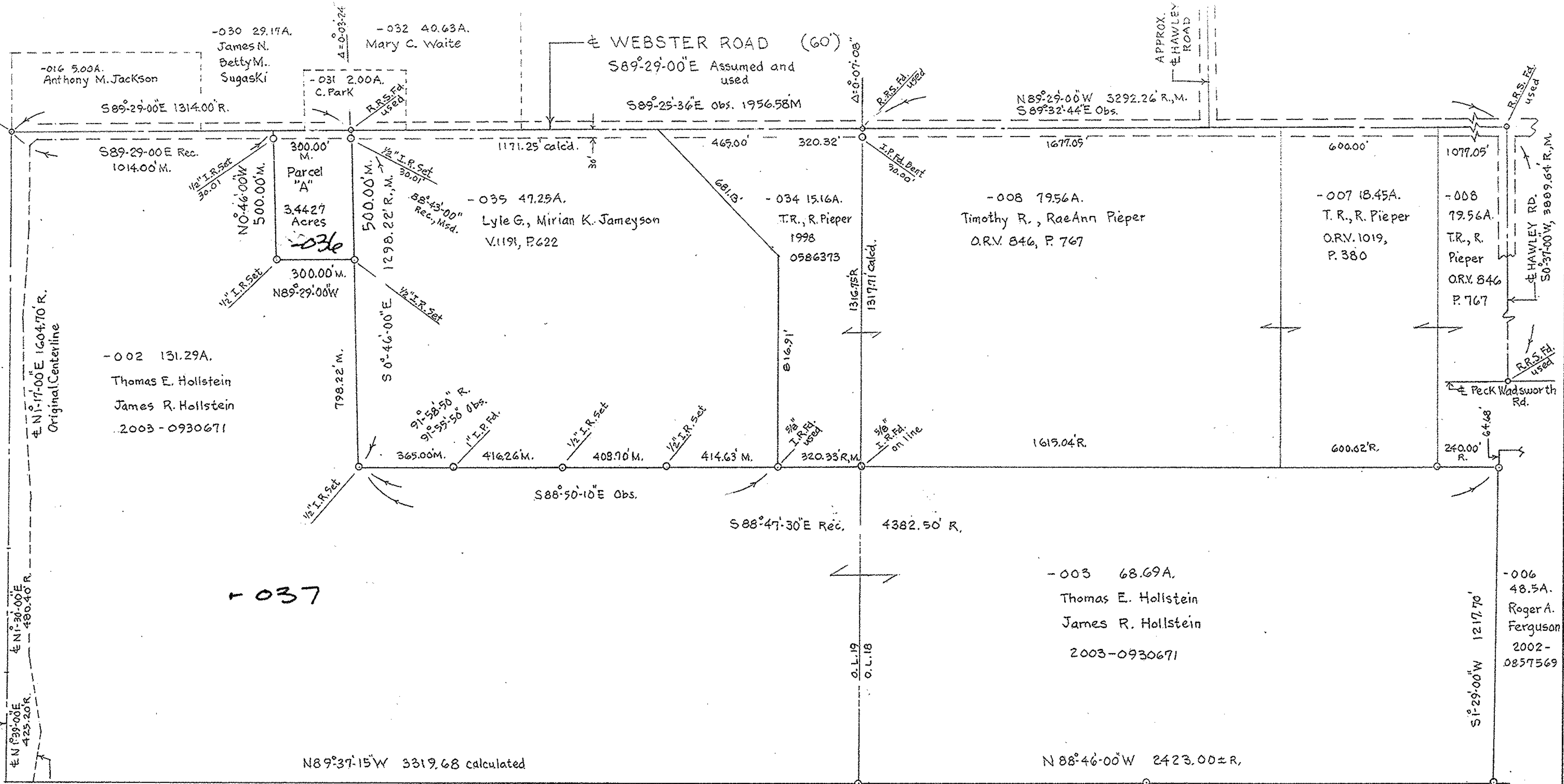


NORTH



ASHLAND OBERLIN ROAD
Old S.R. 58 = West Line O.L. 19



East line R/W
Ref. V. 981, P. 340, 3/11/09
Easement to O.D.O.T.
Note. O.D.O.T. established
a centerline of survey.

18-00-019-000-006, 008, 035, 036, 037, 032, 030,
18-00-018-000-003, 008, 007, 006

No 01850
APPROVED
LORAIN CO.
MAP DEPT
DATE 2/8/05
PAGE 18-00-019-B
BY JHATFIELD
05-01850

Charles P. Waryu, December 7, 2004
CHARLES P. WARYU,
Registered Surveyor No. 5029

MAP OF SURVEY MADE, Parcel "A"
3.4427 acres, Part of Original Wellington
Twp. Lot No. 19, Lorain County, Ohio.
For James R. Hollstein December, 2004