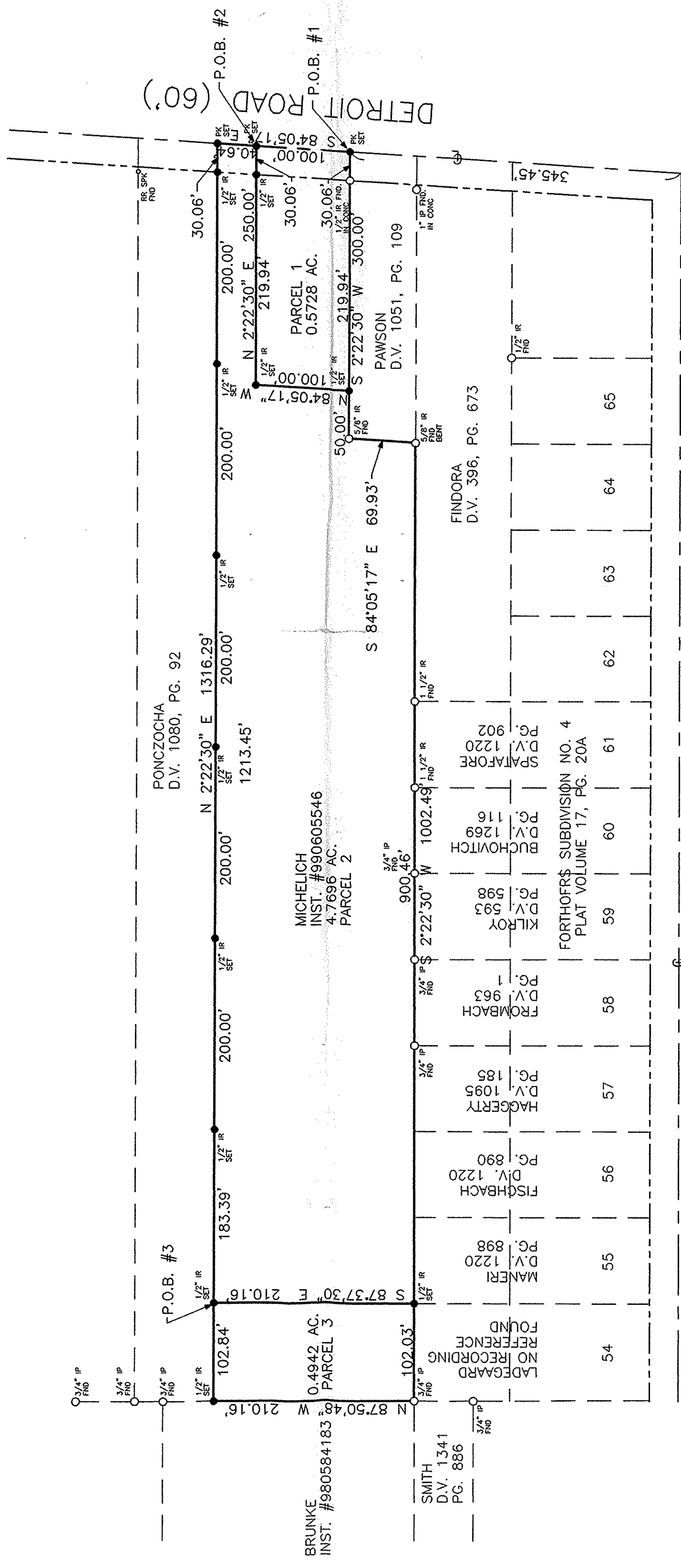
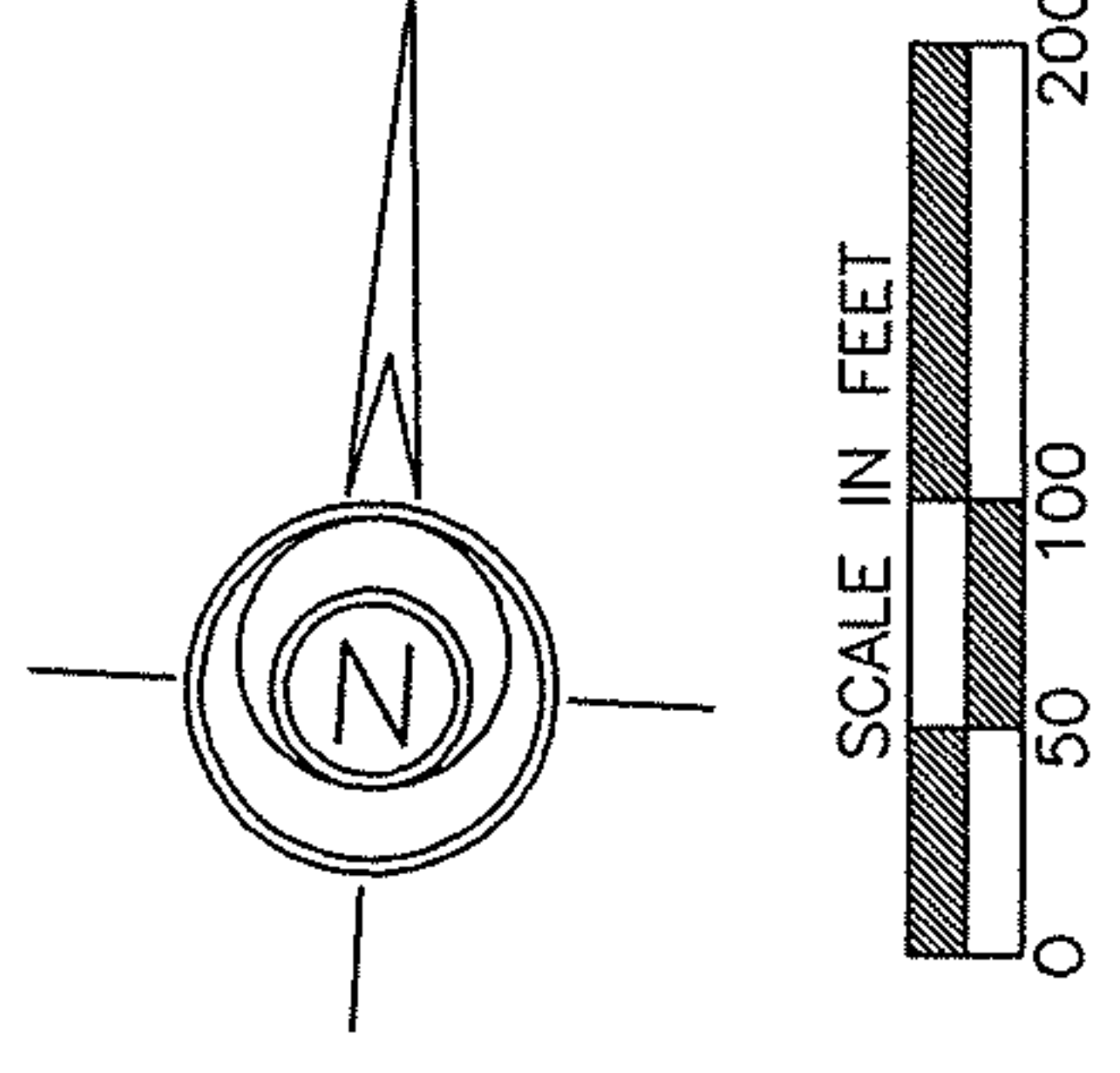


P.P. NO.
 04-00-022-105-0418, 036-041, 025-003/
 044
 SPLIT #
 DATE OF SURVEY
 MAP PAGE
 04-00-022-6
 CITY OF AVON
 James A. Faetaniini

John Hancock & Associates
 INCORPORATED
 ENGINEERS - SURVEYORS
 326 E. MARKET STREET
 SANDUSKY, OHIO 44870
 (419) 625-7838

PLAT OF SURVEY
 PART OF ORIGINAL AVON TOWNSHIP
 SECTION 22
 CITY OF AVON, LORAIN COUNTY, OHIO

JOB NO.: 117099
 DRN BY: JAF
 FILE NO.: 117099
 DATE: 12/13/99
 SCALE: 1" = 100'
 SHEET NO.: 1 OF 1



BEARINGS HEREON ARE BASED UPON A BEARING OF S 02°22'30" W FOR THE EAST LINE OF MICHELICH LANDS.

I HEREBY CERTIFY THAT THIS PLAT WAS PREPARED FROM AN ACTUAL FIELD SURVEY OF THE PREMISES CONDUCTED BY ME PURSUANT TO CHAPTER 4733-37 OF THE OHIO ADMINISTRATIVE CODE.



James A. Faetaniini
 JAMES A. FAETANIINI, P.S.
 OHIO R.L.S. 7379