

(STATE & ASSUMED)

OLD MIDDLE RIDGE ROAD 60'

N 69°43'30" E

1012.66' M

N 69°43'30" E 200.00' Rec & Calc

N 69°26'28" E

939.05' M

MON BOX
FD & USED

MON BOX
FD & USED

MON BOX
FD

3/4" IP
FD & U
24.18'SE

5/8" CAPPED
REBAR SET

5/8" CAPPED
REBAR SET

5/8" CAPPED
REBAR SET

DRIVE ENCROACHMENT
SEE DETAIL

15.00'
Rec & Used

ORIG. LOT 57
ORIG. LOT 56

05-00-056-000-035
JUANITA M. BYRON
O.R.V. 1106 P. 433

05-00-056-000-033
MARIE ROBINSON
O.R.V. 792 P. 594
0.76 AC. REC
0.7579 AC. CALC

05-00-056-000-040
CHARLES L. & MARY E. ROGERS
O.R.V. 1320 P. 745

PARCEL 1
0.3719 AC

PARCEL 2
0.3860 AC

5/8" CAPPED
REBAR SET

5/8" CAPPED
REBAR SET

5/8" CAPPED
REBAR SET

5/8" CAPPED
REBAR SET

S 67°44'33" W
72.82'
Rec & Used

127.81' Rec & Used
S 75°12'56" W

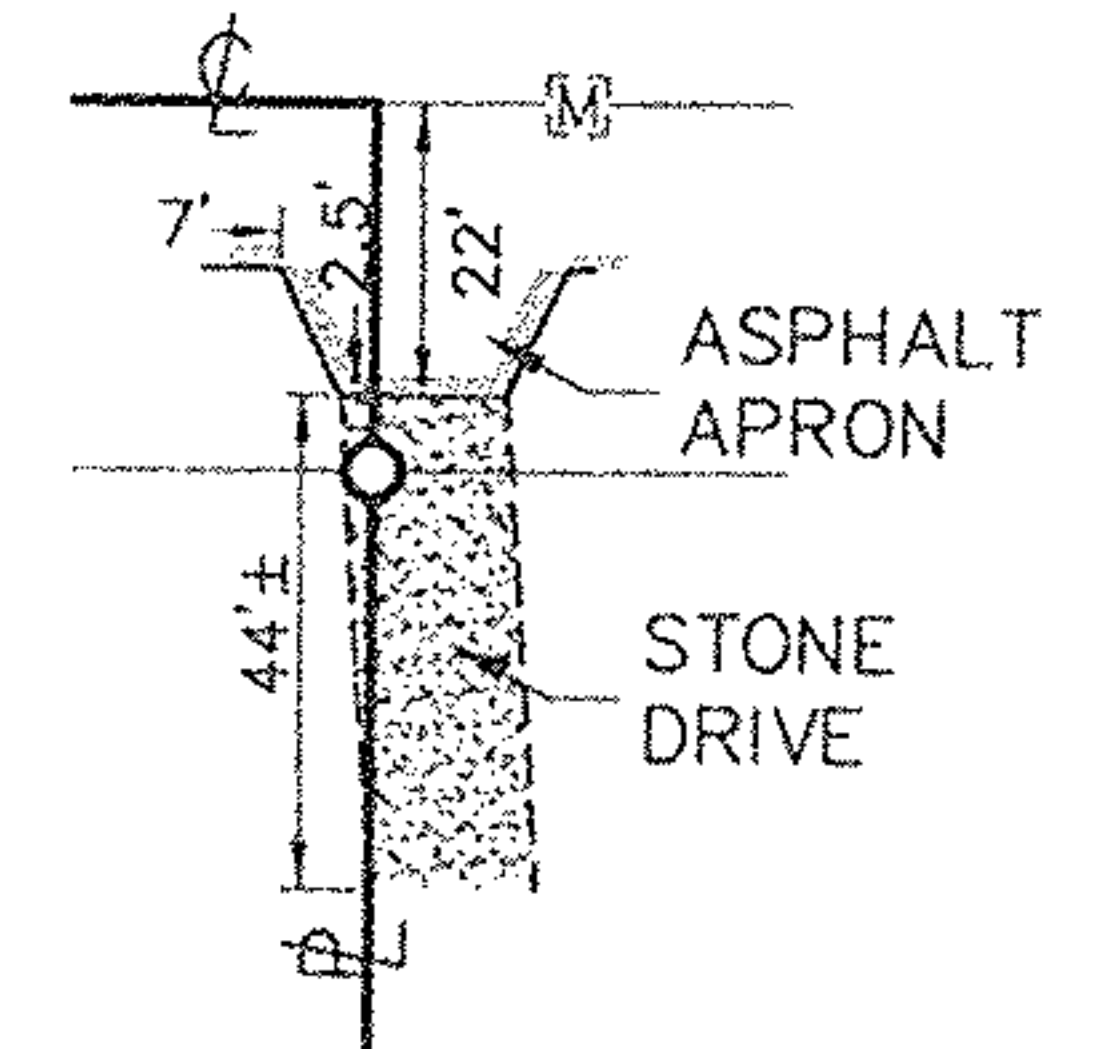
05-00-056-000-032
COUNTY OF LORAIN
O.R.V. 6 P. 222

05-00-056-000-039
COUNTY OF LORAIN
O.R.V. 85 P. 308

05-00-056-000-034
COUNTY OF LORAIN
O.R.V. 14 P. 221

N 20°16'30" W
163.25' Rec & Used
225' Rec
61.75' Rec

S 20°16'30" E
172.96' Rec & Used
225' Rec
51.87' Rec



DETAIL DRIVE ENCROACHMENT
NO SCALE

RELOCATED MIDDLE RIDGE ROAD

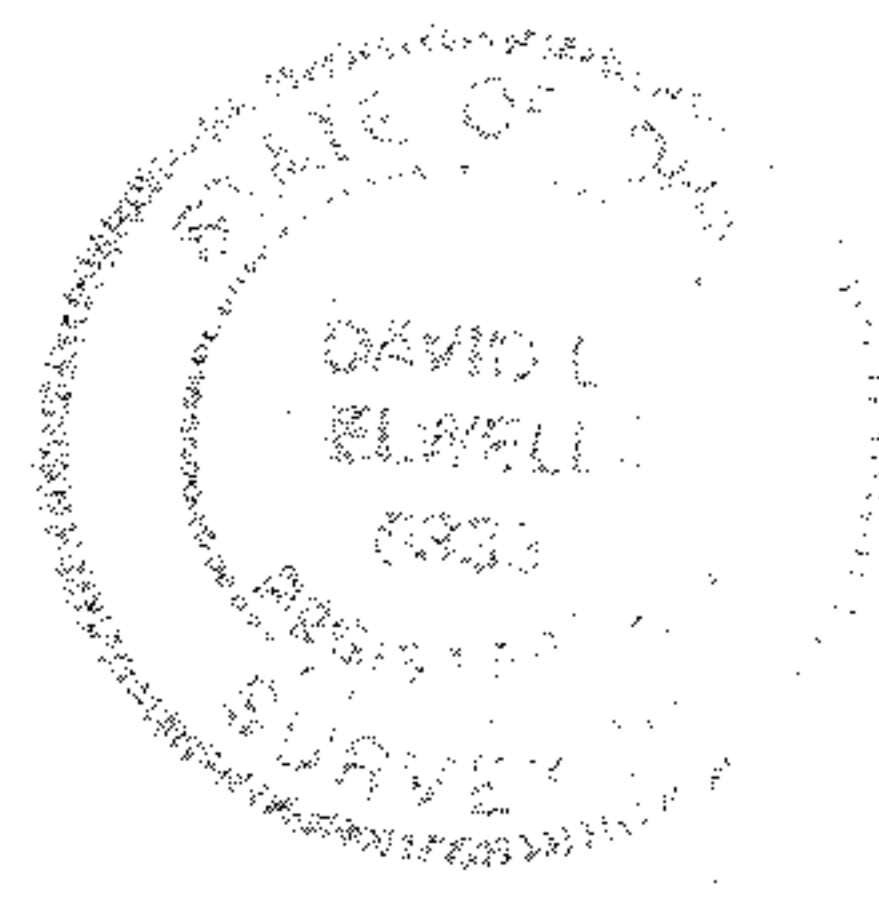
#22146

PART OF ORIG. AMHERST TOWNSHIP
LOT NO. 56
TOWNSHIP OF AMHERST
COUNTY OF LORAIN STATE OF OHIO
AUGUST 13, 1996



SCALE IN FEET
1" = 40'

David L. Elwell
DAVID L. ELWELL
REG. SURVEYOR NO. 6333



APPROVED LORAIN CO. MAP DEPT.
DATE 4-24-97
PAGE 05-00-056 A
BY <i>R. Bell</i>
VOID AFTER # 22146

PREPARED BY:
KS ASSOCIATES INC.
ENGINEERS SURVEYORS

05-00-056-000-033

96152

L:\96152\DWGS\1-BASE01