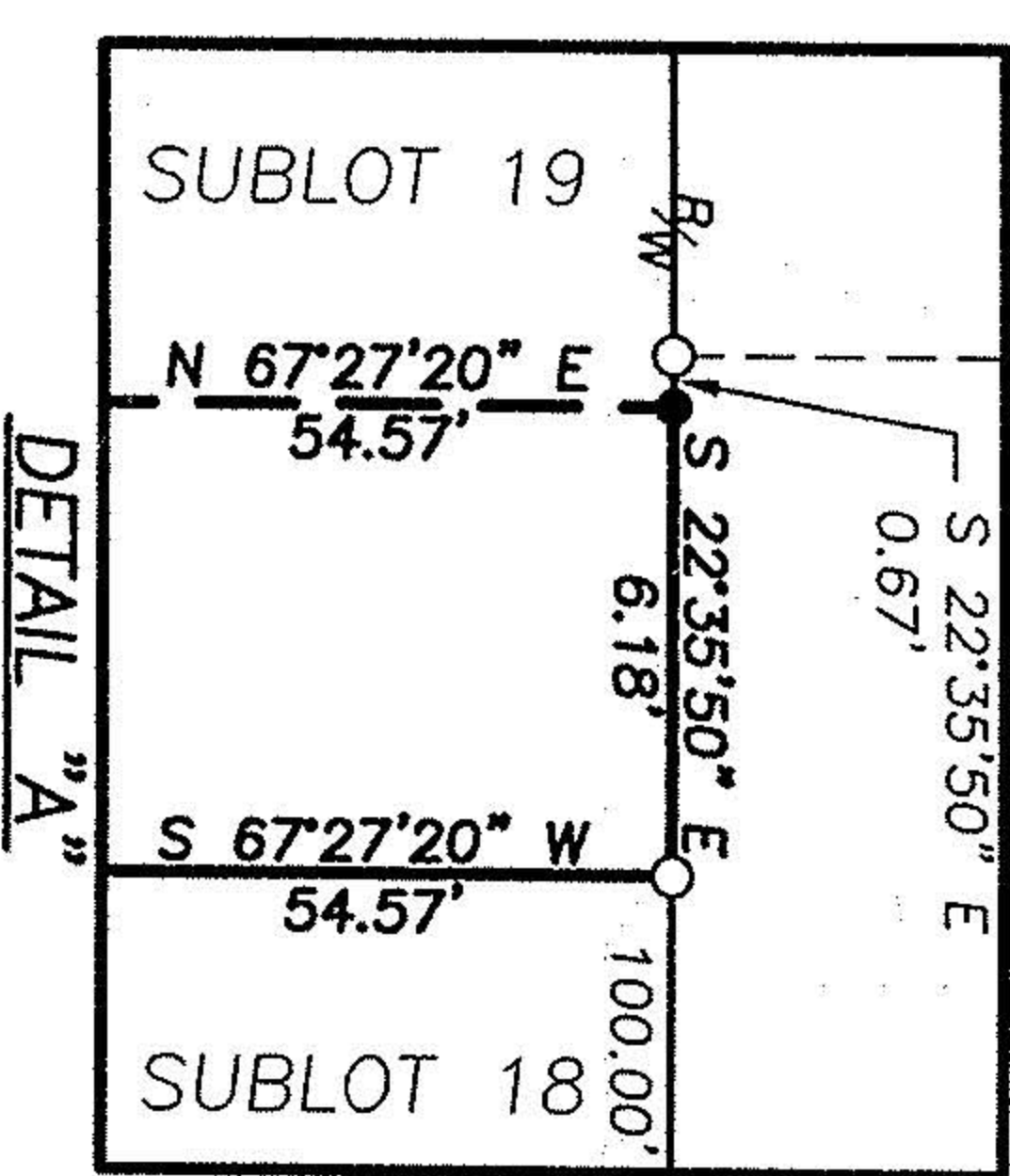
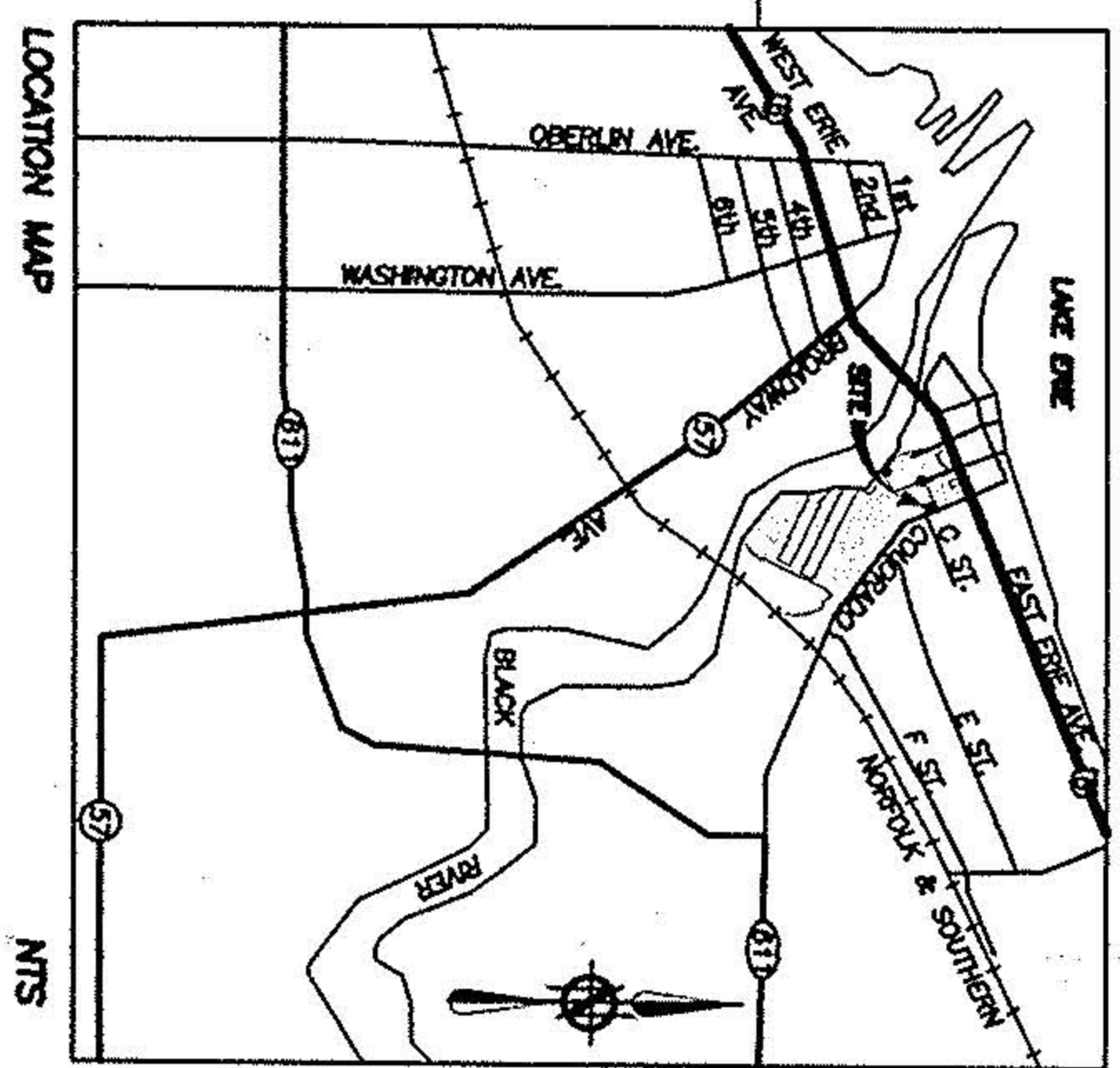
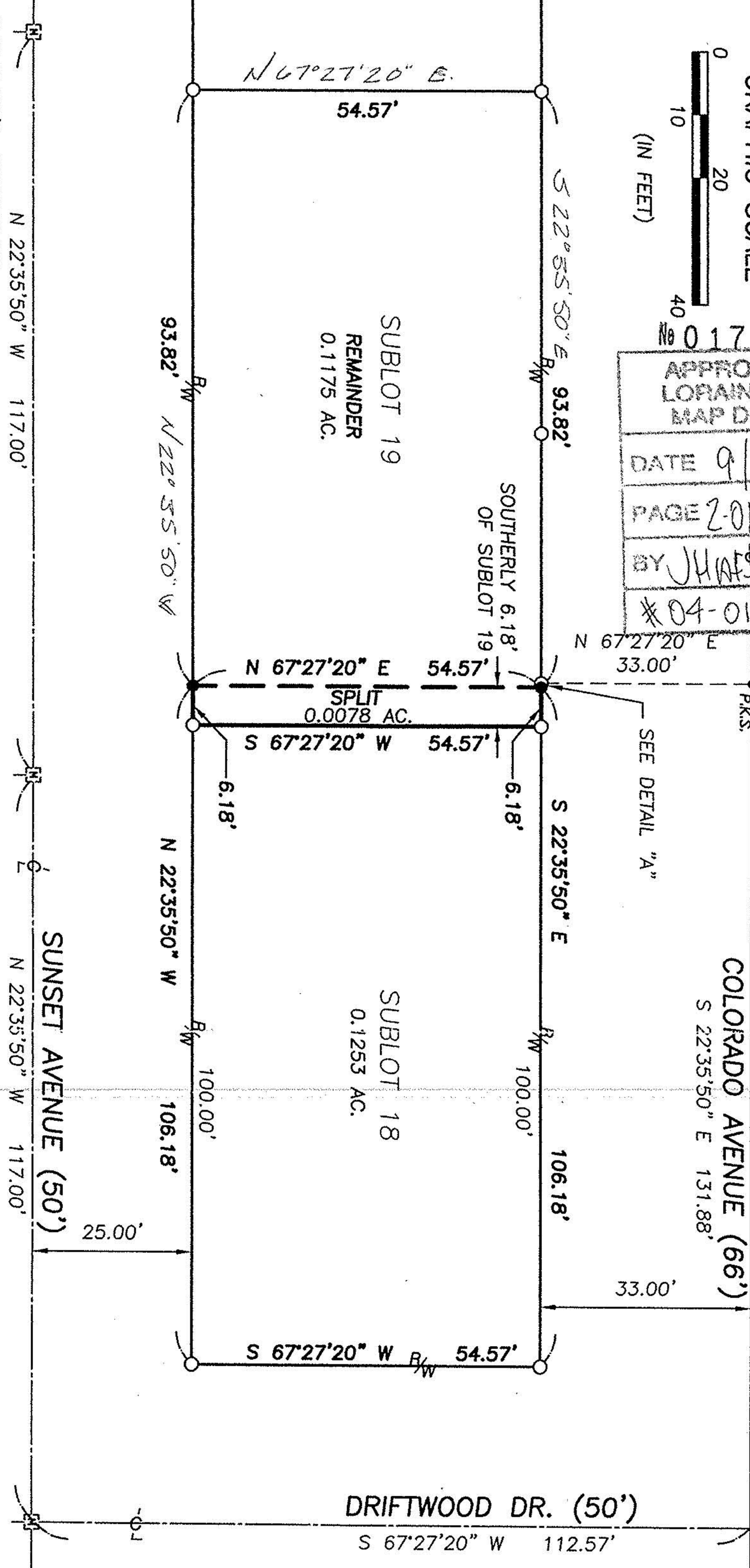
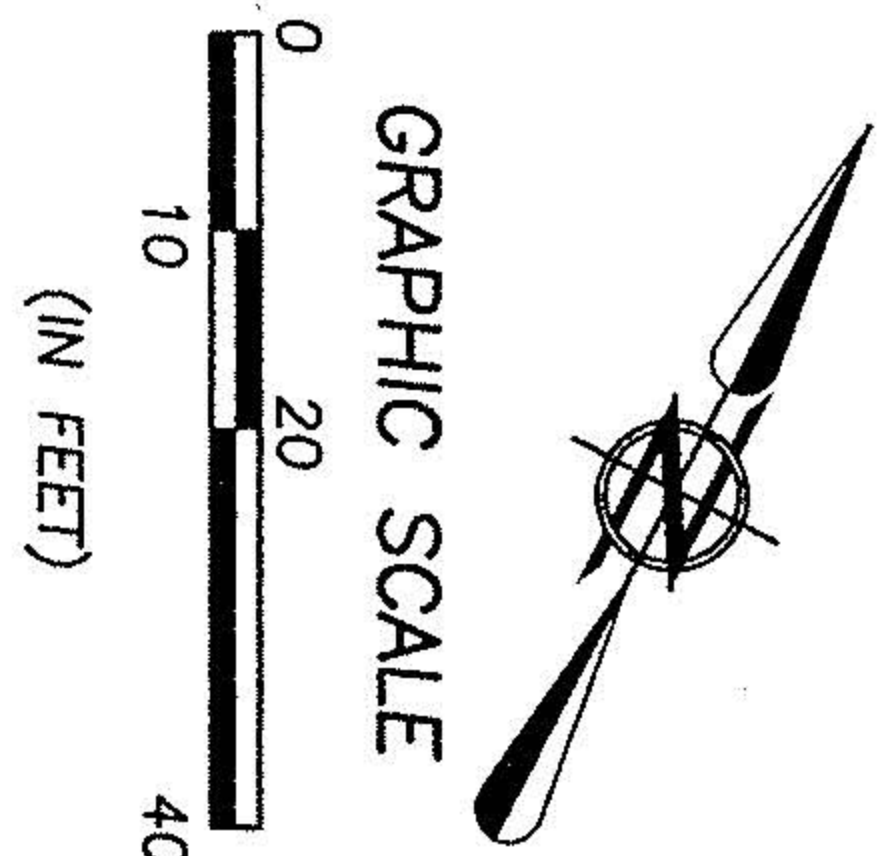


RIVERFRONT URBAN RENEWAL SUBDIVISION NO. 2

LOT SPLIT - PART OF SUBLLOT 19

ORIGINAL BLACK RIVER TOWNSHIP LOT 2, TRACT 1
CITY OF LORAIN, COUNTY OF LORAIN, STATE OF OHIO

# 01756	
APPROVED LORAIN CO. MAP DEPT	
DATE	9/7/04
PAGE	2-01-003A
BY	JH Hartzel
*04-01756	

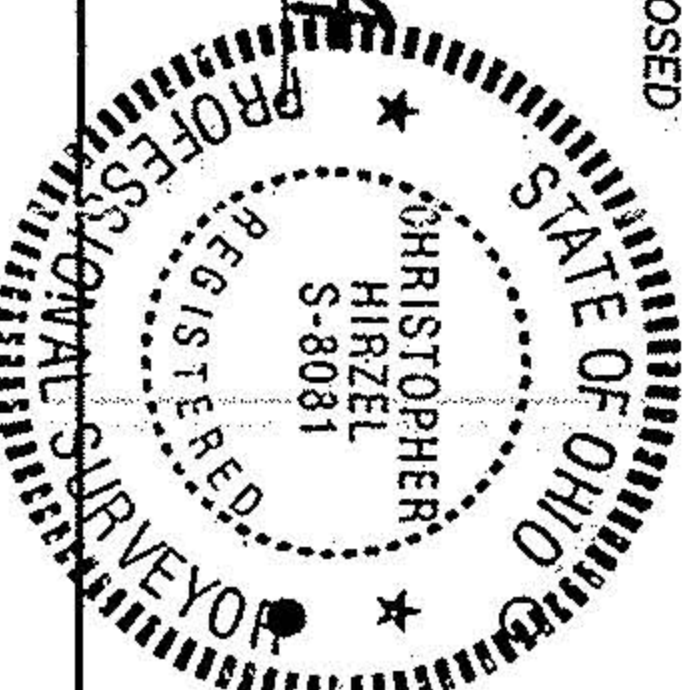


SURVEYOR'S CERTIFICATE:
THIS IS TO CERTIFY THAT, AT THE REQUEST OF THE OWNERS, I HAVE SURVEYED AND PLATTED THE BOUNDARY SURVEY AS SHOWN HEREON CONTAINING 0.2506 OF AN ACRE OF LAND, CITY OF LORAIN, COUNTY OF LORAIN, STATE OF OHIO AND BEING SUBLLOT 18 & SUBLLOT 19 IN RIVERFRONT URBAN RENEWAL SUBDIVISION NUMBER 2 AS RECORDED IN VOLUME 76, PAGES 74-75 OF LORAIN COUNTY PLAT RECORDS. AT ALL POINTS THUSLY INDICATED O, IRON PIN MONUMENTS WERE FOUND AND AT ALL POINTS THUSLY INDICATED •, IRON PIN MONUMENTS WERE SET. DISTANCES ARE SHOWN IN FEET AND DECIMAL PARTS THEREOF. BEARINGS SHOWN ARE ASSUMED AND USED TO DESCRIBE ANGLES ONLY. THE PLAN REPRESENTS A SURVEY IN WHICH THE TRAVERSE OF THE EXTERIOR BOUNDARIES OF THE TRACT AND OF EACH BLOCK WHEN COMPUTED FROM FIELD MEASUREMENTS OF THE GROUND CLOSED WITHIN A LIMIT OF ERROR OF ONE (1) FOOT TO TEN THOUSAND (10,000) FEET OF THE PERIMETER BEFORE BALANCING THE SURVEY. ALL OF WHICH I CERTIFY TO BE CORRECT.

MONUMENT BOX

LEGEND:

- 5/8" REBAR FOUND WITH CAP STAMPED "BRAMHALL 8073"
- 5/8" REBAR SET WITH CAP STAMPED "BRAMHALL 8073"



APPROVED AS NOTED
AS TO DESCRIPTION ONLY
Date: 8-20-04
City of Lorain
Per: [Signature]
Engineering Dept.

BRAMHALL
ENGINEERING AND SURVEYING CO., INC.
37307 HARVEST DRIVE AVON, OHIO 44011
(440) 934-7878 (440) 934-7879 FAX

CHRISTOPHER M. HIRZEL, P.S.
REGISTERED SURVEYOR NUMBER 8081

[Signature]
DATE: 8-23-2004