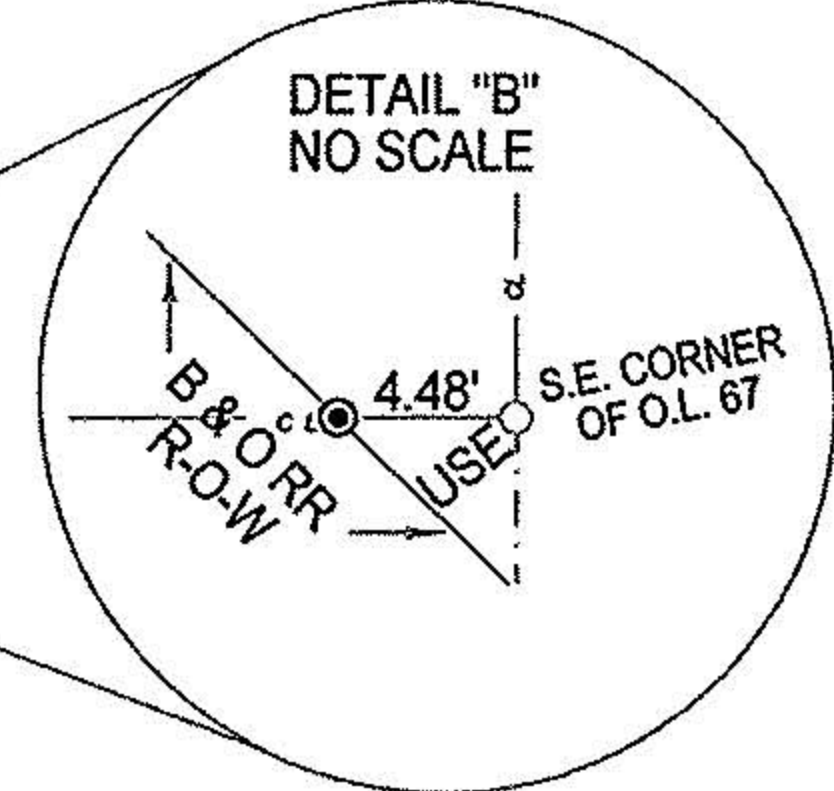
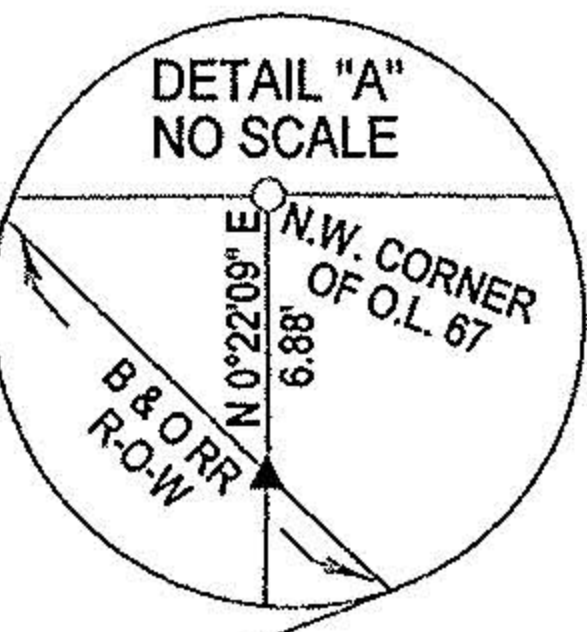
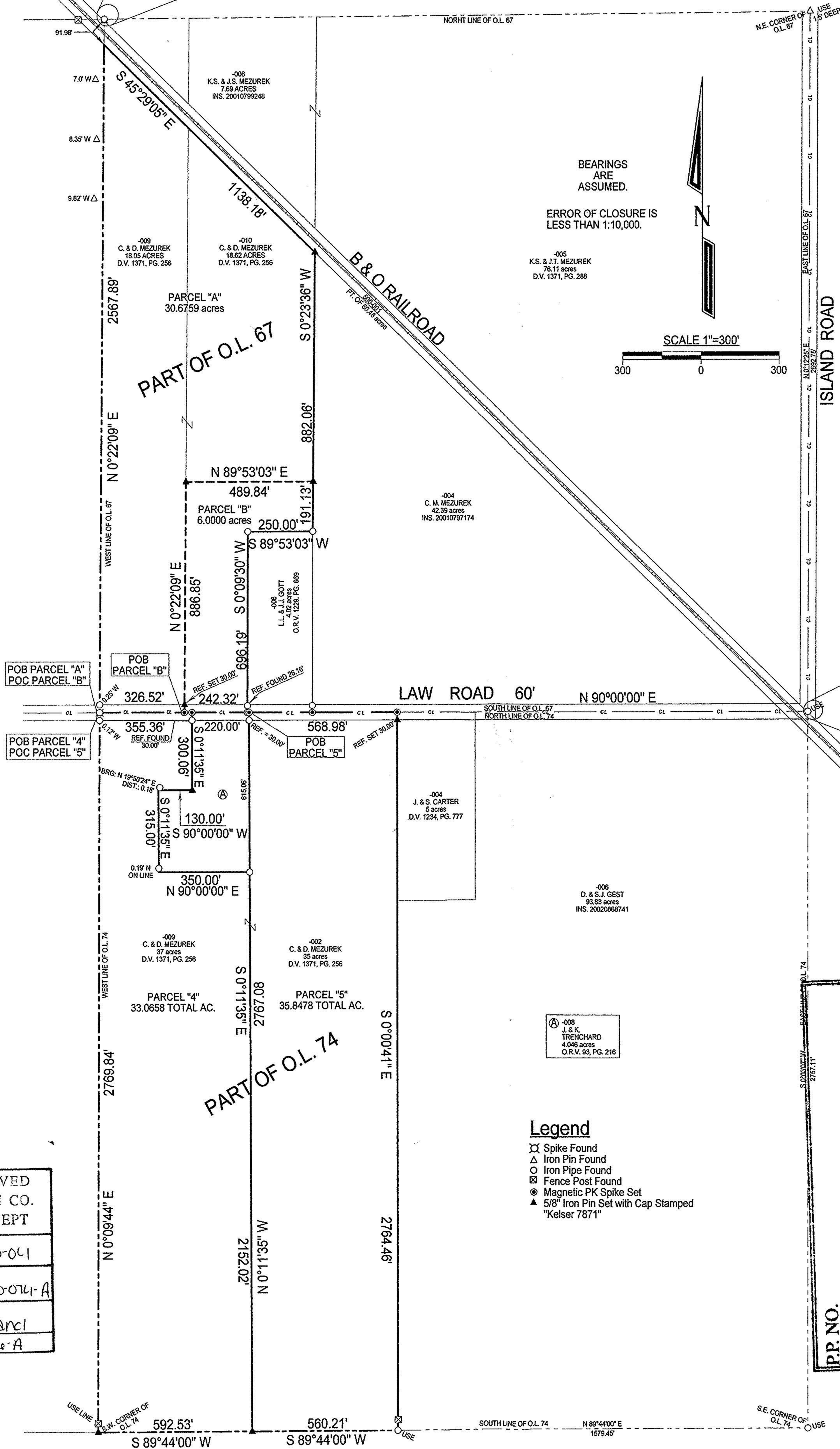
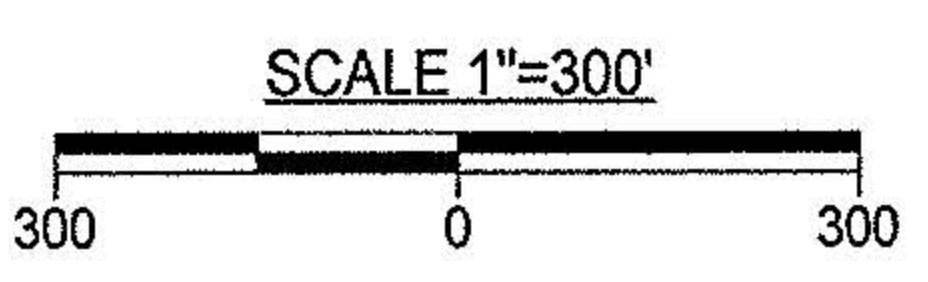


PLAT OF BOUNDARY SURVEY
MEZUREK
 PART OF ORIGINAL LOT 67 & 74
 GRAFTON TOWNSHIP, LORAIN COUNTY, OHIO



BEARINGS ARE ASSUMED.
 ERROR OF CLOSURE IS LESS THAN 1:10,000.



- Legend**
- ⊗ Spike Found
 - △ Iron Pin Found
 - Iron Pipe Found
 - ⊠ Fence Post Found
 - ⊙ Magnetic PK Spike Set
 - ▲ 5/8" Iron Pin Set with Cap Stamped "Kelsner 7871"

APPROVED
 LORAIN CO.
 MAP DEPT
 DATE 8-30-01
 PAGE 16-00-074-A
 BY D. Hollancl
 #401016-A

P.P. NO. 16-00-074-000 001 4 002
 SPLIT # 16-00-074-000 001 August 2001
 MAP PAGE 16-00-074-A
 SURVEYOR Alex Kelsner



LAUNDON • SIMON • KELSNER & ASSOC., INC.
 PROFESSIONAL LAND SURVEYORS
 110 MIDDLE AVE. • ELYRIA, OHIO • 44035
 PHONE (440) 322-7625
 Alex Kelsner RLS #7871

DATE: 8/17/01 Rev. 7/30/03
 JOB NO.: 03-3612 REF. 01-3362