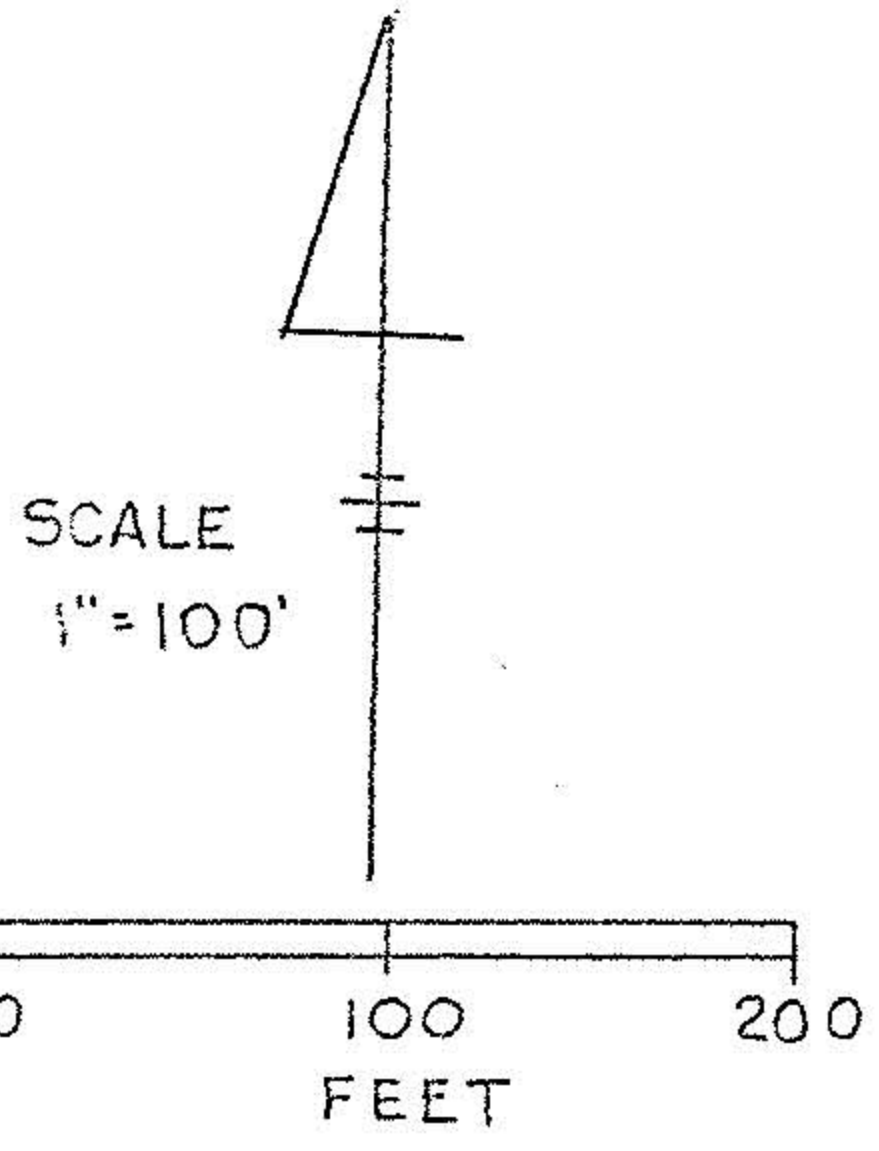


NORTH



024 1383 A.
Stanley, Mary J.
Porter
V. 953, P. 393



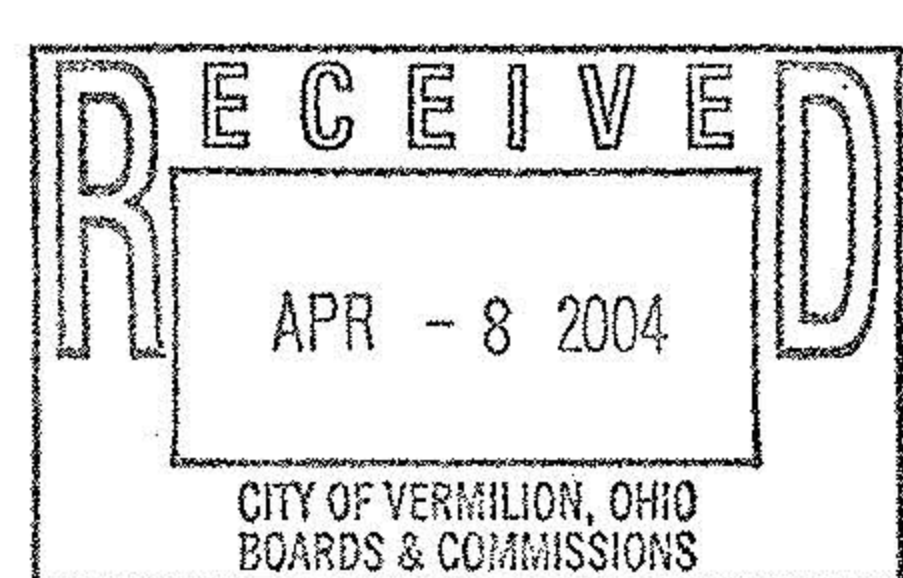
-019 1.32 A.
Ronald A., Joan E.
Higgins
O.R.V. 1282, P. 100

-037 26.97 A.
Marian Gringle,
Melvin Pippert,
Lois McQueen

No 01660
APPROVED
LORAIN CO.
MAP DEPT
DATE 5-19-04
PAGE 1-00-030-B
BY JHA/Field
04-01660

V. 1374, P. 277
Parcel No. 3

Permanent Parcel No. 01-00-029-000-047
" " " " 01-00-030-000-042



MAP OF LANDS
PROPOSED THREE(3) PARCELS

Part of Original Brownhelm Township Lot No. 29
and 30, City of Vermilion, Lorain County, Ohio.
For Christ Winterstein and Gene Fee April 2004

Charles P. Waryu April 1, 2004
Charles P. Waryu, Registered Surveyor
No. 5029