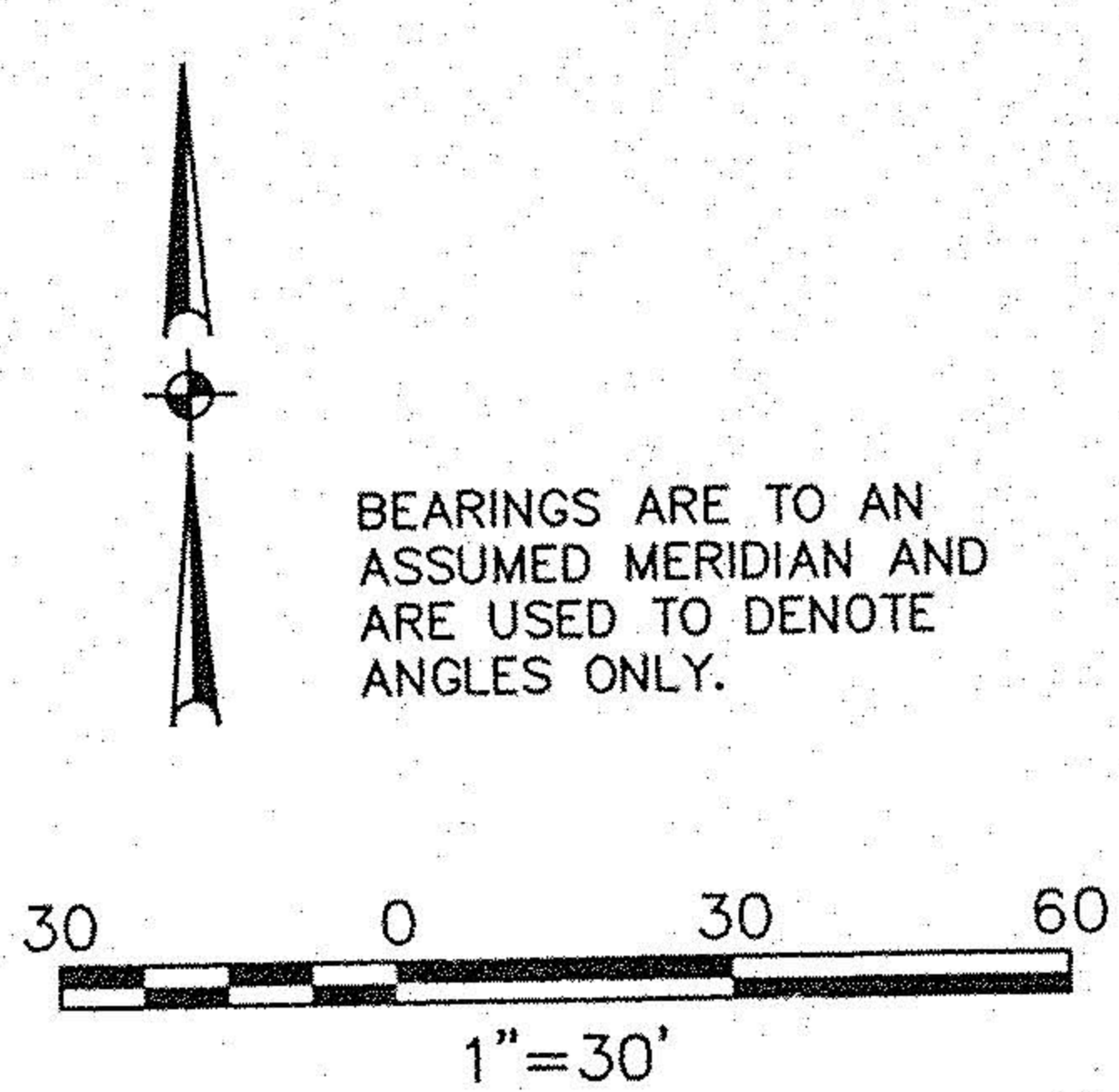
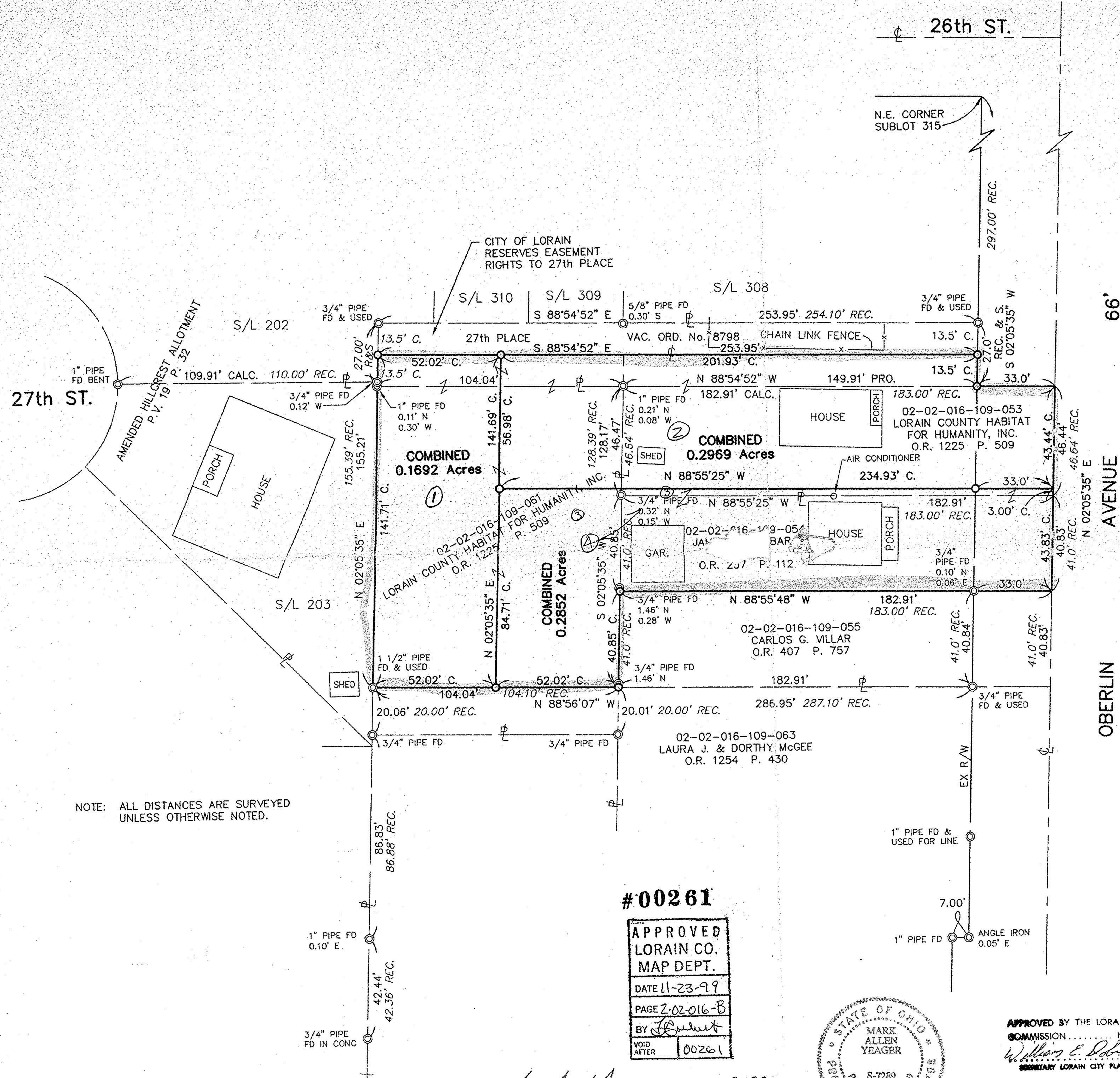


261



BEARINGS ARE TO AN ASSUMED MERIDIAN AND ARE USED TO DENOTE ANGLES ONLY.

LEGEND

- ⊙ - IRON PIN/IRON PIPE FOUND
- ⊙ - 5/8" CAPPED REBAR SET

ABBREVIATIONS

- FD - FOUND
- C. - CALCULATED
- REC. - RECORD
- S. - SURVEYED

NOTE: ALL DISTANCES ARE SURVEYED UNLESS OTHERWISE NOTED.

#99-00261

#00261

APPROVED
LORAIN CO.
MAP DEPT.
DATE 11-23-99
PAGE 2-02-016-B
BY <i>[Signature]</i>
VOID AFTER 00261

Mark A. Yeager 10-7-99
 MARK A. YEAGER
 PROFESSIONAL SURVEYOR No. 7289



APPROVED BY THE LORAIN CITY PLANNING COMMISSION. NO PLAT REQUIRED.
William E. Davis 10-22-99
 SECRETARY LORAIN CITY PLANNING COMMISSION

APPROVED AS TO DESCRIPTION ONLY
 Date 10/21/99
 City of Lorain
 Per *[Signature]* Engineering Dept.

SURVEY MAP
 PART OF BLACK RIVER TOWNSHIP
 ORIGINAL LOT No. 16 TRACT No. 2 AND
 A PORTION OF VACATED 27th PLACE
 CITY OF LORAIN COUNTY OF LORAIN
 STATE OF OHIO
 November 23, 1998
 Revised: October 7, 1999

KS ASSOCIATES, INC.
 ENGINEERS/SURVEYORS
 424 Middle Avenue
 P.O. Box 89
 Elyria, Ohio 44036
 PHONE (440) 322-6317 * FAX: (440) 284-0623



02-02-016-109-064 thru-068