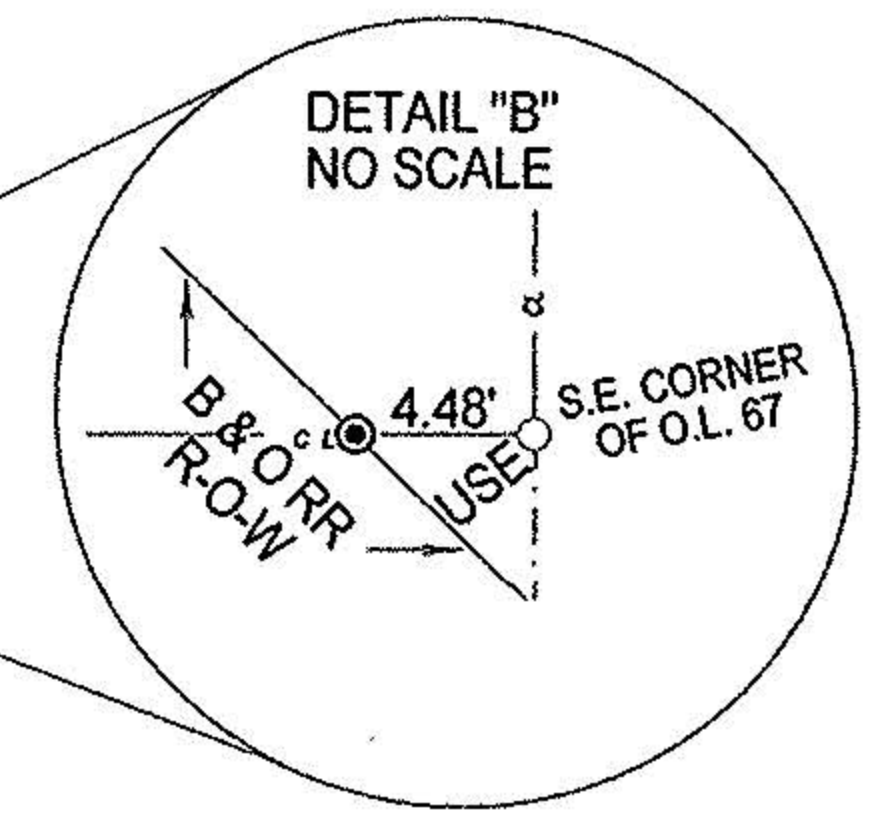
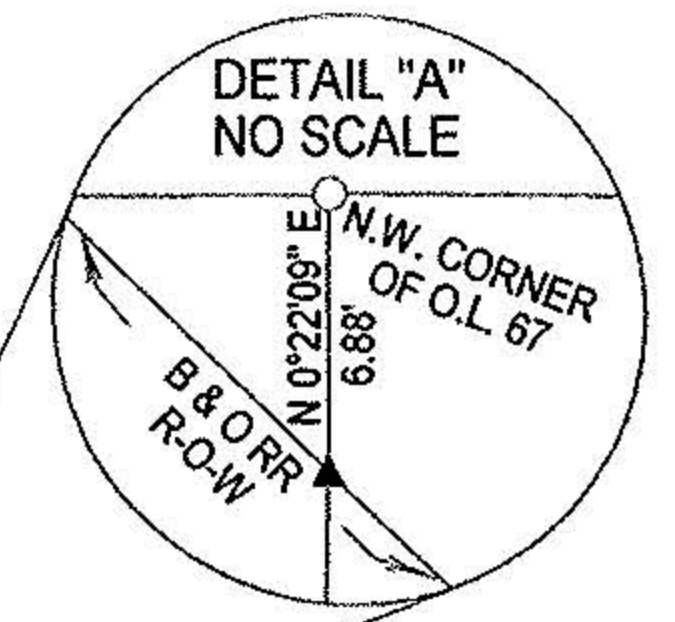
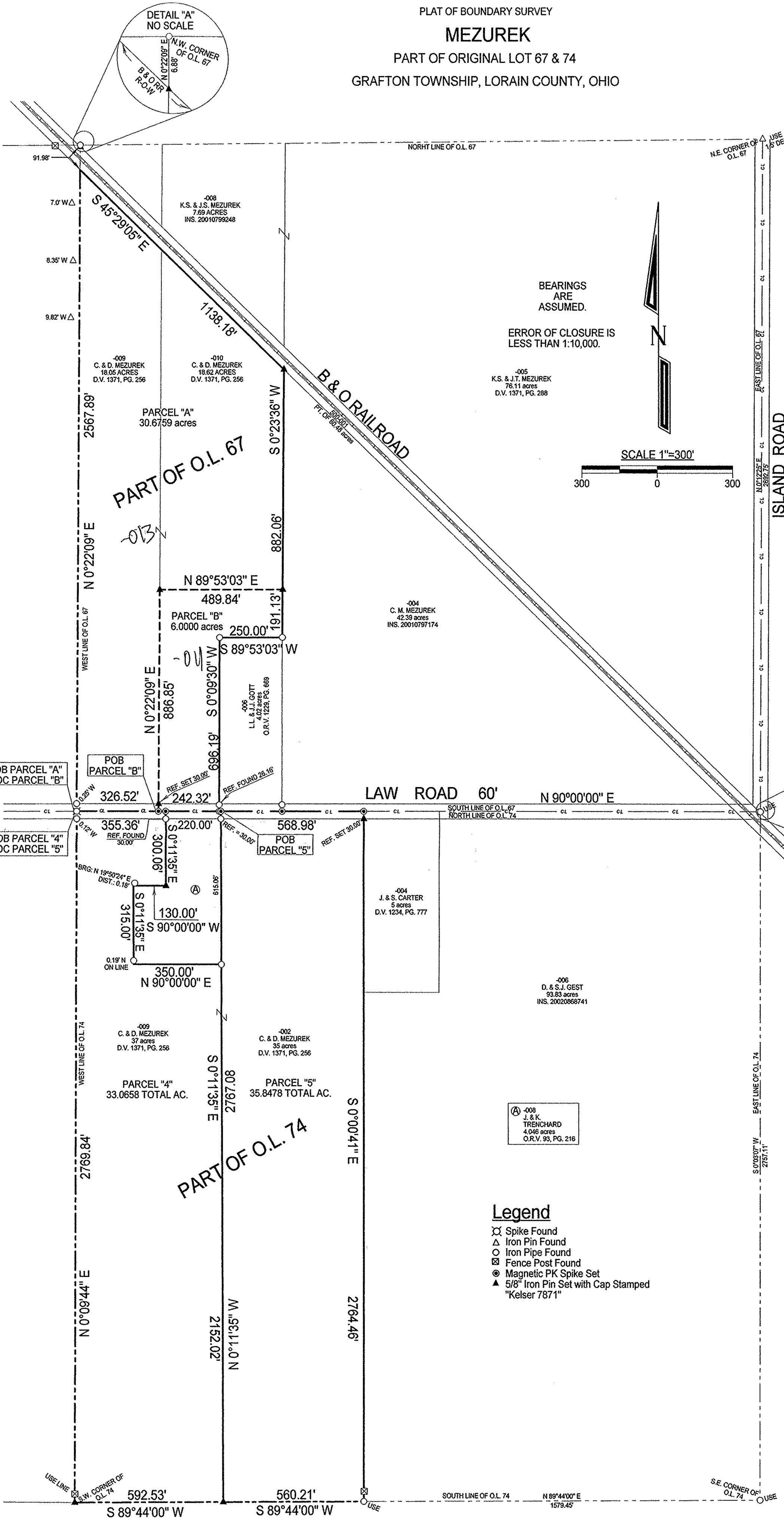
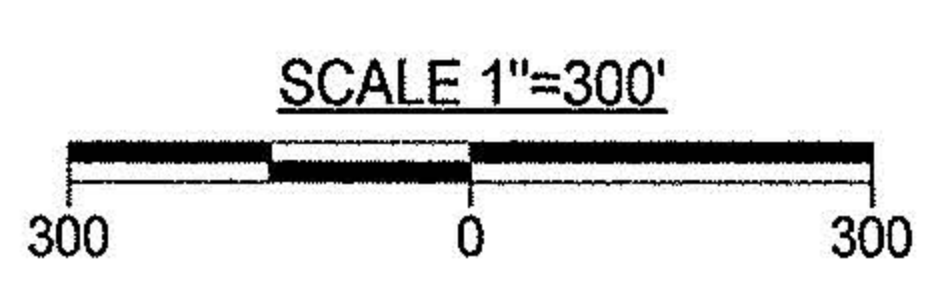


PLAT OF BOUNDARY SURVEY
MEZUREK
 PART OF ORIGINAL LOT 67 & 74
 GRAFTON TOWNSHIP, LORAIN COUNTY, OHIO



BEARINGS ARE ASSUMED.
 ERROR OF CLOSURE IS LESS THAN 1:10,000.



① -008 J. & K. TRENCHARD 4.046 acres O.R.V. 93, PG. 216

- Legend**
- ⊗ Spike Found
 - △ Iron Pin Found
 - Iron Pipe Found
 - ⊠ Fence Post Found
 - ⊙ Magnetic PK Spike Set
 - ▲ 5/8" Iron Pin Set with Cap Stamped "Kelsner 7871"

No 0.1556
 APPROVED
 LORAIN CO. MAP DEPT
 DATE 12/23/03
 PAGE 16-9
 BY J Hatfield
 # 03-01556



LAUNDON • SIMON • KELSNER & ASSOC., INC.
 PROFESSIONAL LAND SURVEYORS
 110 MIDDLE AVE. • ELYRIA, OHIO • 44035
 PHONE (440) 322-7625
 Alex Kelsner RLS #7871

DATE: 8/17/01 Rev. 7/30/03
 JOB NO.: 03-3612 REF. 01-3362