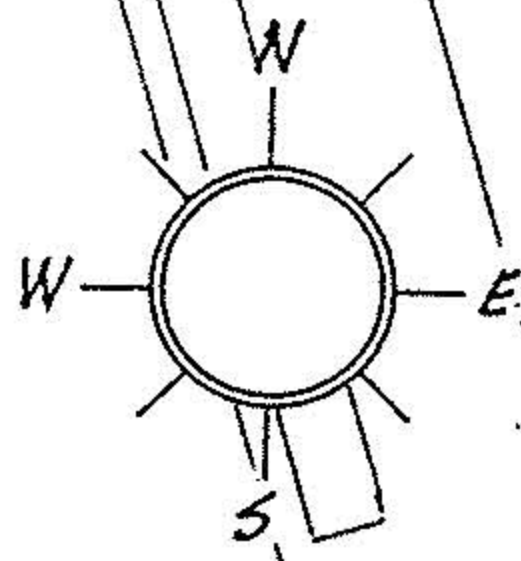


02-00-051-137-075  
02-00-051-B



CREHORE STREET

DRILL-HOLE/  
CROSS CUT

DRILL-HOLE/  
CROSS CUT

DRILL-HOLE/  
CROSS CUT

TRANSAS AVENUE

4 FT. CONC. SIDEWALK

J.T. REYES & L.A. ASCUNCION

56

55

54

53

52

51

80

79

78

77

76

75

74

73

EAST SIDE REALTY CO. ALLOTMENT VOL. 13 PAGE 21

CLARENCE, JR. & BARBARA BALLARD

CLARENCE, JR. & BARBARA BALLARD

CLARENCE, JR. & BARBARA BALLARD

GENEVIEVE C. MEYERS

FRANK J. TRUSKOT, JR.

FRANK J. TRUSKOT, JR.

CENTRAL SECURITY NATIONAL BANK

53 IRON PIN FOUND

90°00'

4'

4'

4'

4'

4'

4'

4'

4'

4'

4'

4'

4'

4'

4'

4'

4'

4'

4'

4'

4'

N72°58'E, 120.00'

S17°02'E, 240.00'

S17°02'E, 240.00'

N72°58'E, 120.00'

90°00'

90°00'

ACREAGE 0.661

DATE 06-17-86

DRAWN MGH

SCALE 1" = 50 ft.

PREPARED FOR RELIANCE ELECTRIC COMPANY 266-7000  
29325 CHAGRIN BLVD., CLEVELAND 44122

MICHAEL G. HURA, registered surveyor  
12706 MASON RD., VERMILION, O., Ph (216) 965 4040

PERIMETER SURVEY

SUBLOT(S) 76-77-78-79-80 AND PART 75 of EAST SIDE REALTY CO. ALLOTMENT  
Volume 13 Page 21 of PLATS  
PART OF O.L. 51 TRACT SECTION OF  
BLACK RIVER/ORIGINALLY SHEFFIELD TOWNSHIP LORAIN CO., OHIO  
PERMANENT PARCEL NO

CITY OF LORAIN

