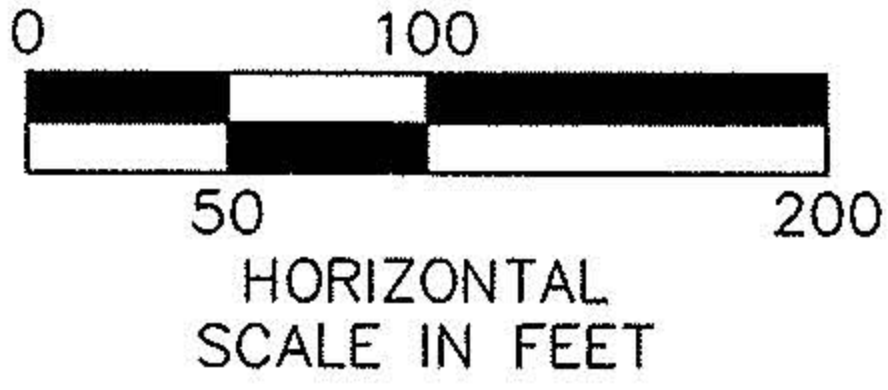
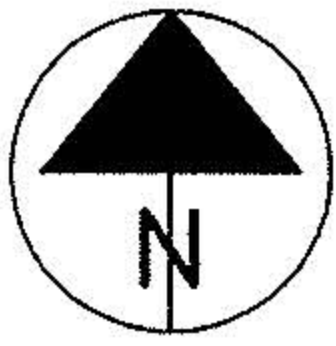


PART OF ORIGINAL GRAFTON TWP. LOT 5,  
VILLAGE OF GRAFTON,  
COUNTY OF LORAIN,  
STATE OF OHIO



-004

STATE OF OHIO  
VOL. PG.

S 88° 48' 38" E  
230.00'

-003

1.0032 AC.

N 1° 11' 22" E  
190.00'

230.00'  
N 88° 48' 38" W

R/W

30'

P S 1° 11' 22" W  
190.00'

S.R. 83

T.P.O.B.

No 01101

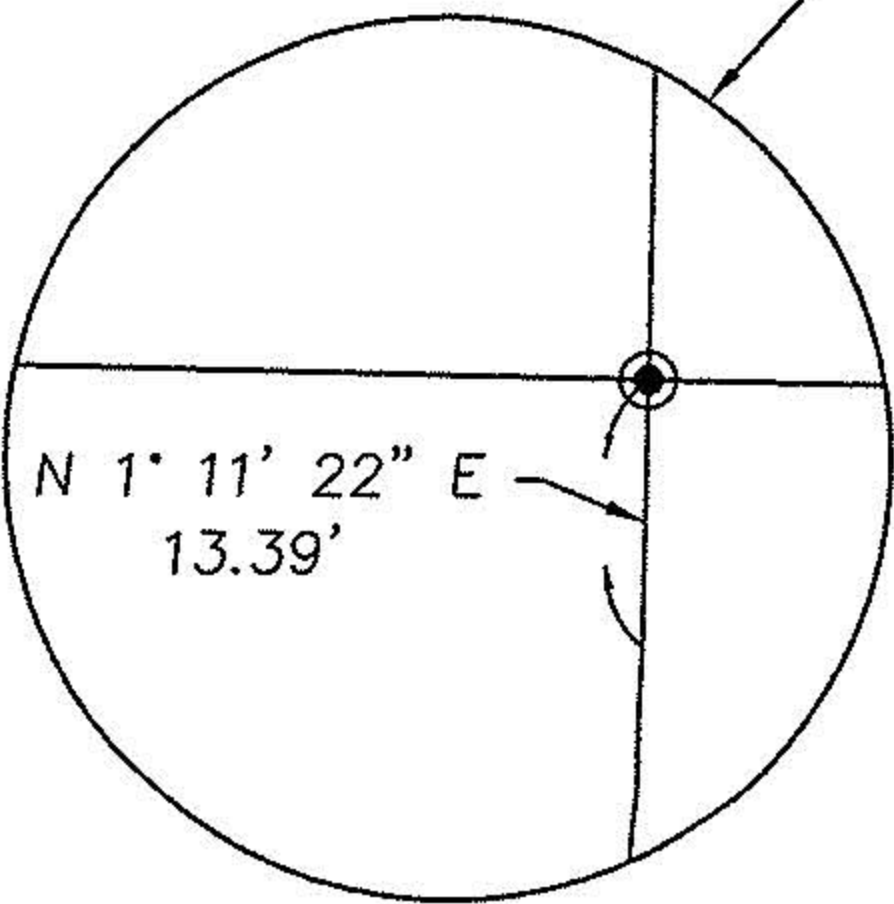
APPROVED  
LORAIN CO.  
MAP DEPT

DATE 6-6-02

PAGE 16-B

BY JHATfield

# 02-01101



R/W

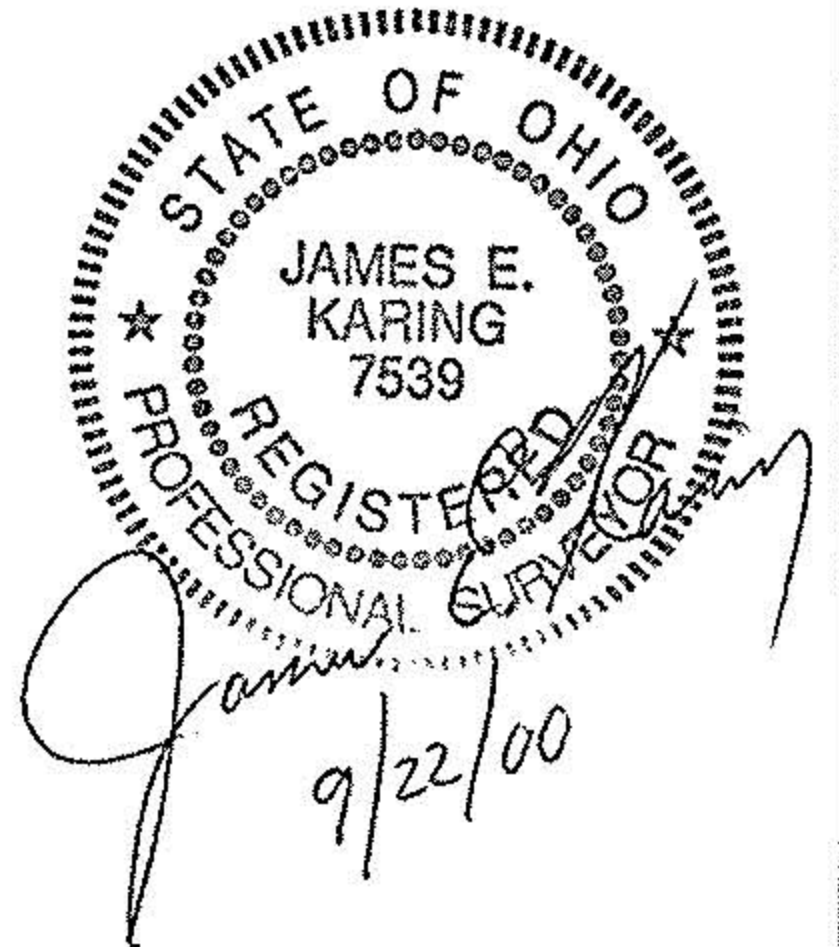
1969.35'

2.90

P.C.

N 1° 11' 22" E

WOOSTER AVON LAKE ROAD



LOT 5  
LOT 16

LOT 6  
LOT 15

P.P.N 16-05-005-000-001