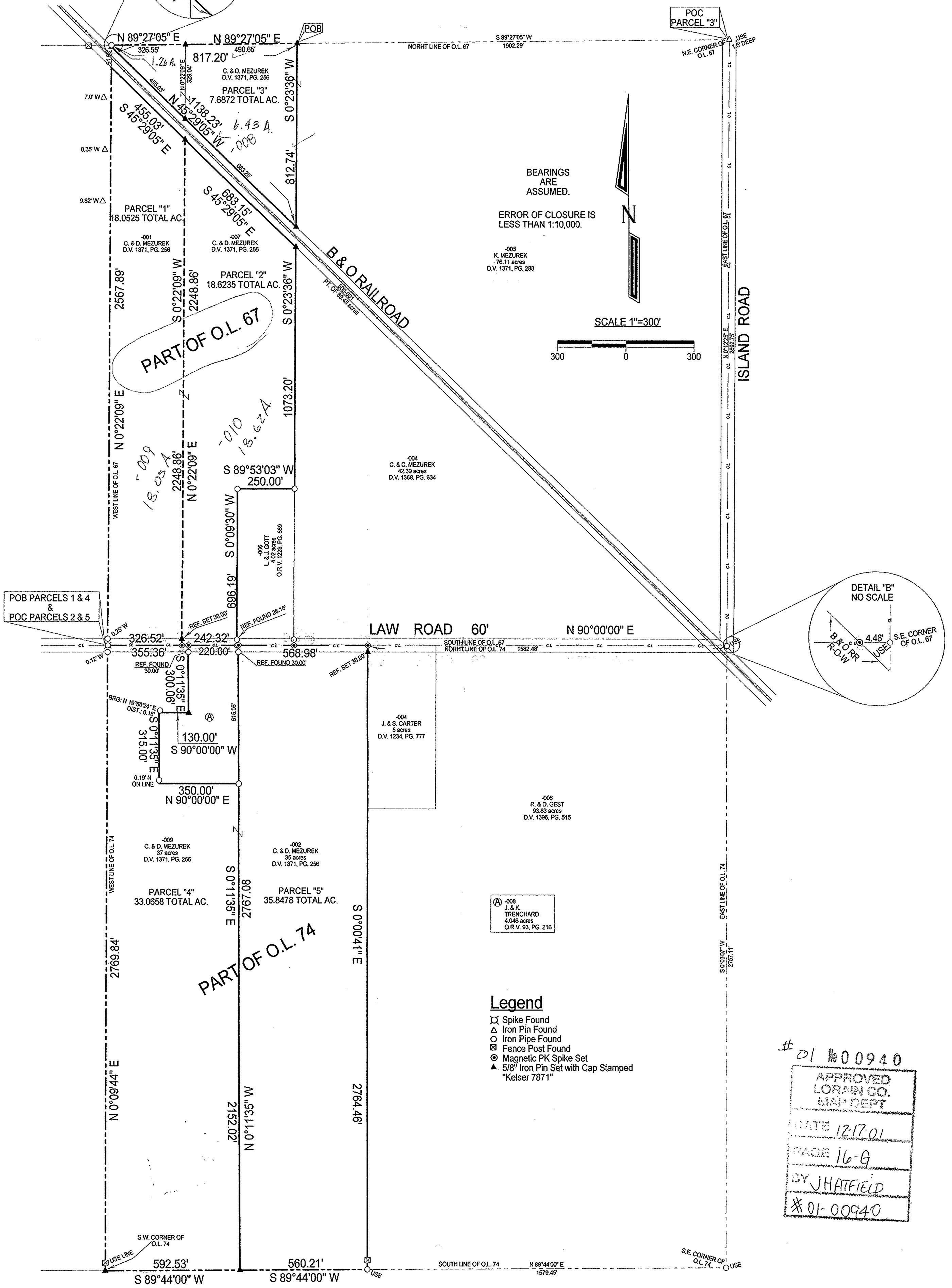
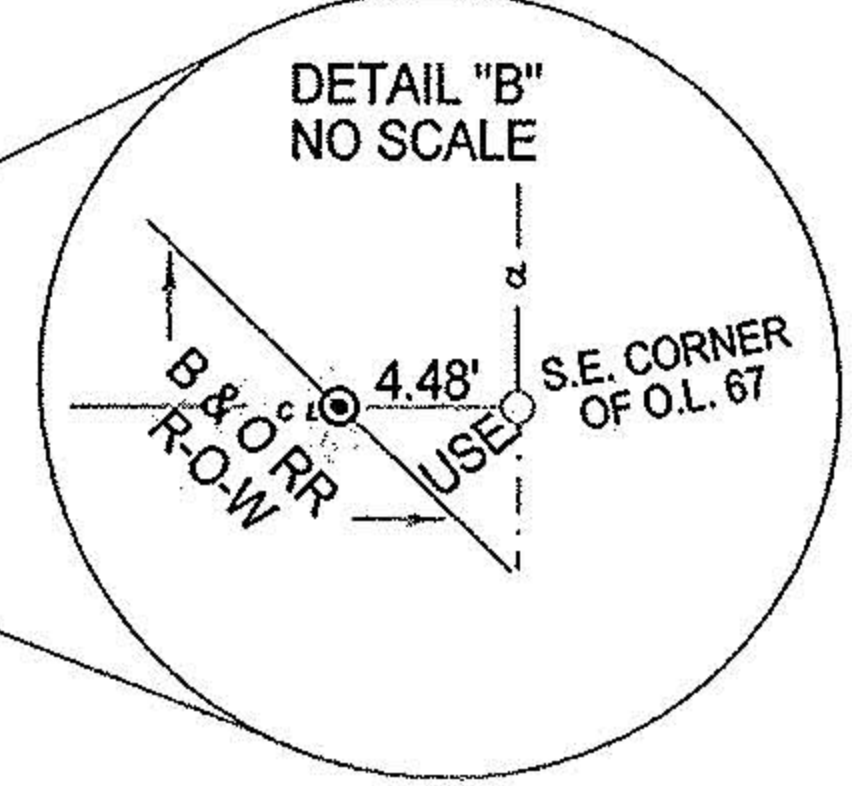
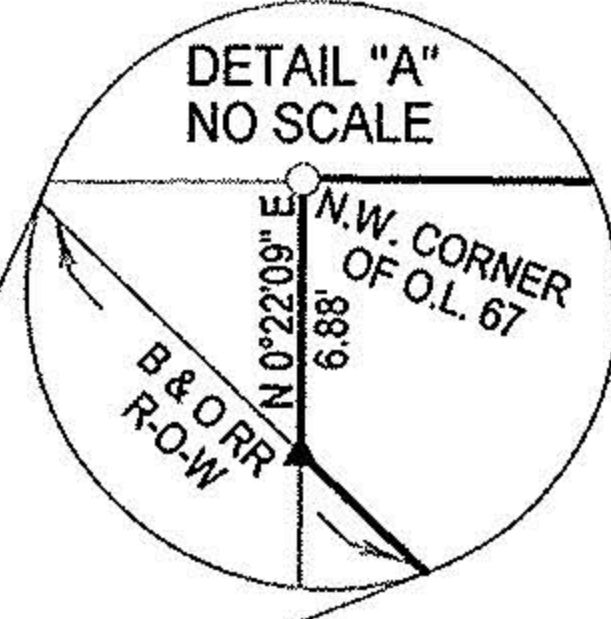
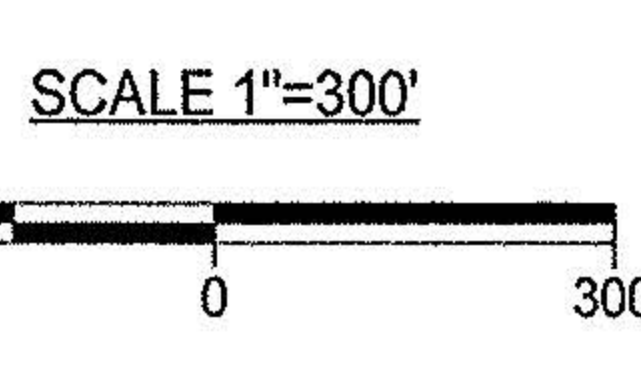


PLAT OF BOUNDARY SURVEY
CARL & DORIS MEZUREK
 PART OF ORIGINAL LOT 67 & 74
 GRAFTON TOWNSHIP, LORAIN COUNTY, OHIO



BEARINGS ARE ASSUMED.
 ERROR OF CLOSURE IS LESS THAN 1:10,000.



- Legend**
- ⊗ Spike Found
 - △ Iron Pin Found
 - Iron Pipe Found
 - ⊠ Fence Post Found
 - ⊙ Magnetic PK Spike Set
 - ▲ 5/8" Iron Pin Set with Cap Stamped "Kelsner 7871"

01 No 00940
 APPROVED
 LORAIN CO.
 MAP DEPT
 DATE 12-17-01
 PAGE 16-G
 BY JHATFIELD
 #01-00940



LAUNDON • SIMON • KELSNER & ASSOC., INC.
 PROFESSIONAL LAND SURVEYORS
 110 MIDDLE AVE. • ELYRIA, OHIO • 44035
 PHONE (440) 322-7625
 Alex Kelsner RLS #7871

DATE: 08/17/01
 JOB NO.: 013362