

DATE OF SURVEY: MAY, 2001

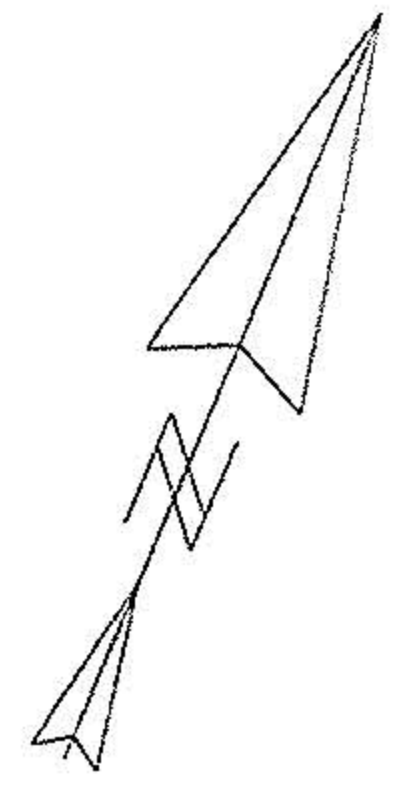
03-00-047-103-029
4-030

BASIS OF BEARINGS: Northerly RW of Cleveland Street

REFERENCES: PLATS AS SHOWN
DEEDS
TAX MAPS

PART OF SULBOT 28 EUCLID ERIE PARK SUBDIVISION
AND ADJACENT LANDS

SITUATED IN THE STATE OF OHIO, COUNTY OF LORAIN,
ORIGINAL SHEFFIELD TOWNSHIP LOT NO. 47



SCALE: 1" = 30'

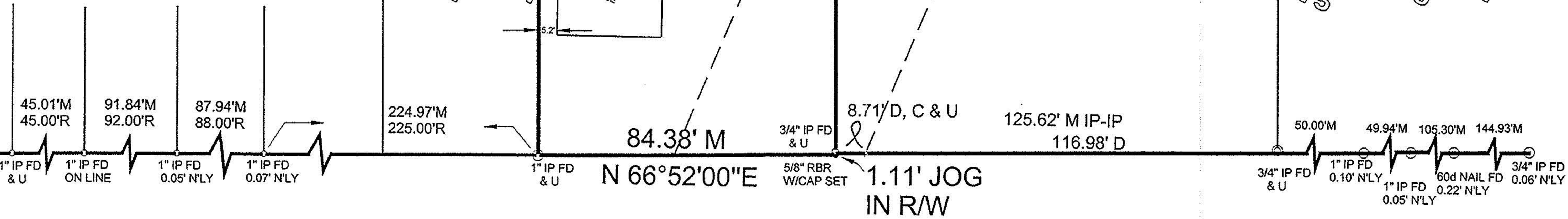
LEGEND

- M MEASURED
- U USED
- F FOUND
- C CALCULATED
- R RECORD
- I IRON PIPE
- P DEED
- D



EUCLID ERIE PARK SUBD.
VOL. 10 PG. 17

Michael Straub, P.S. #7055



#00554-A
 APPROVED
 LORAIN CO.
 MAP DEPT.
 DATE 5/29/01
 PAGE 3-00-047-A
 BY T. SPILLMAN
 JOB # 01-00554-A

COLLAR-DAY ALLOTMENT
 VOL. 13 PG. 35

SURVEY MAP
 OF
 PPNs 03-00-047-103-029 AND -030
 MADE FOR AND AT THE INSTANCE OF
 RICHARD & MARIJOY
 HALITZKA

PK MS MS 5-16-01
 DR. BY: CHK. BY: APR. BY: DATE:

Three King James Park Suite 300
 24600 Center Ridge Road
 Westlake, Ohio 44145
 Tel. 440-835-9400 Fax 440-835-9474

R.E. WARNER & ASSOCIATES, INC.
 CONSULTING ENGINEERS