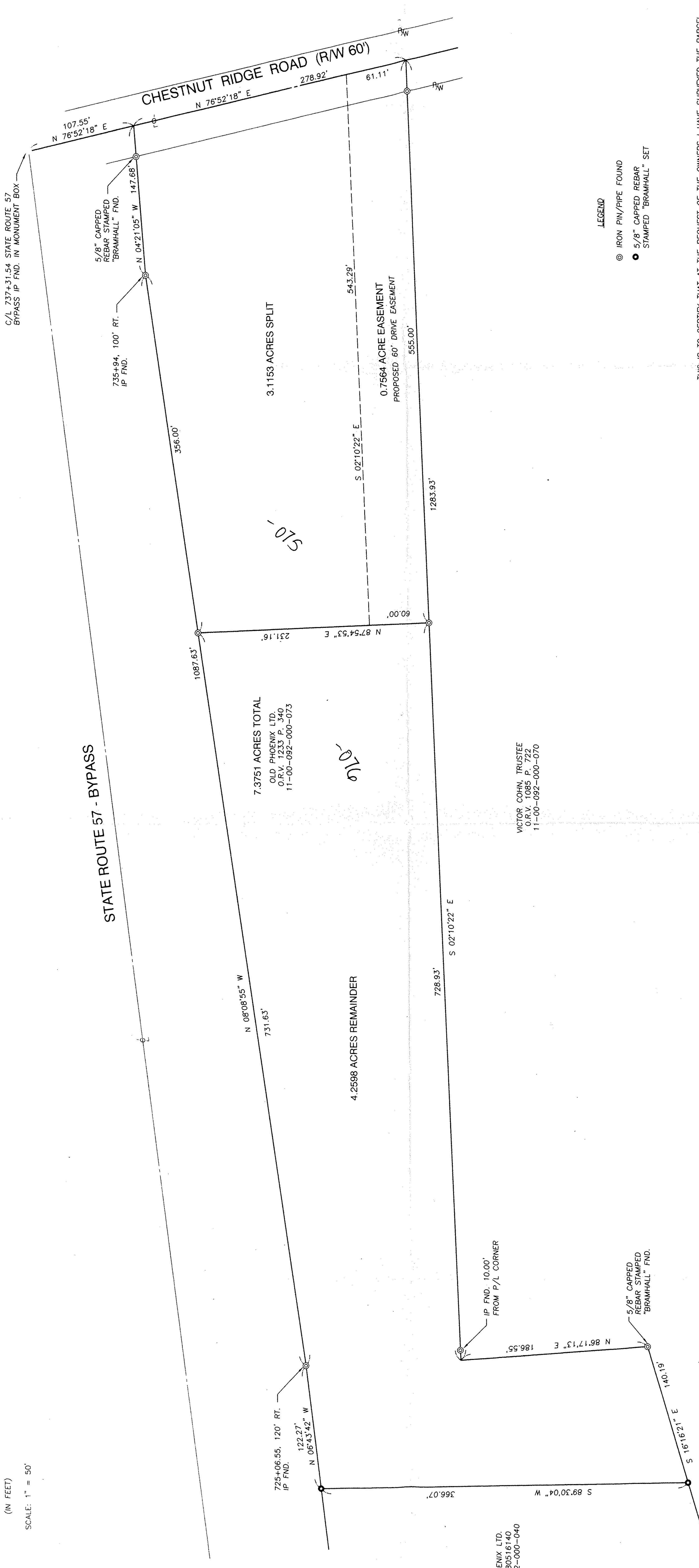
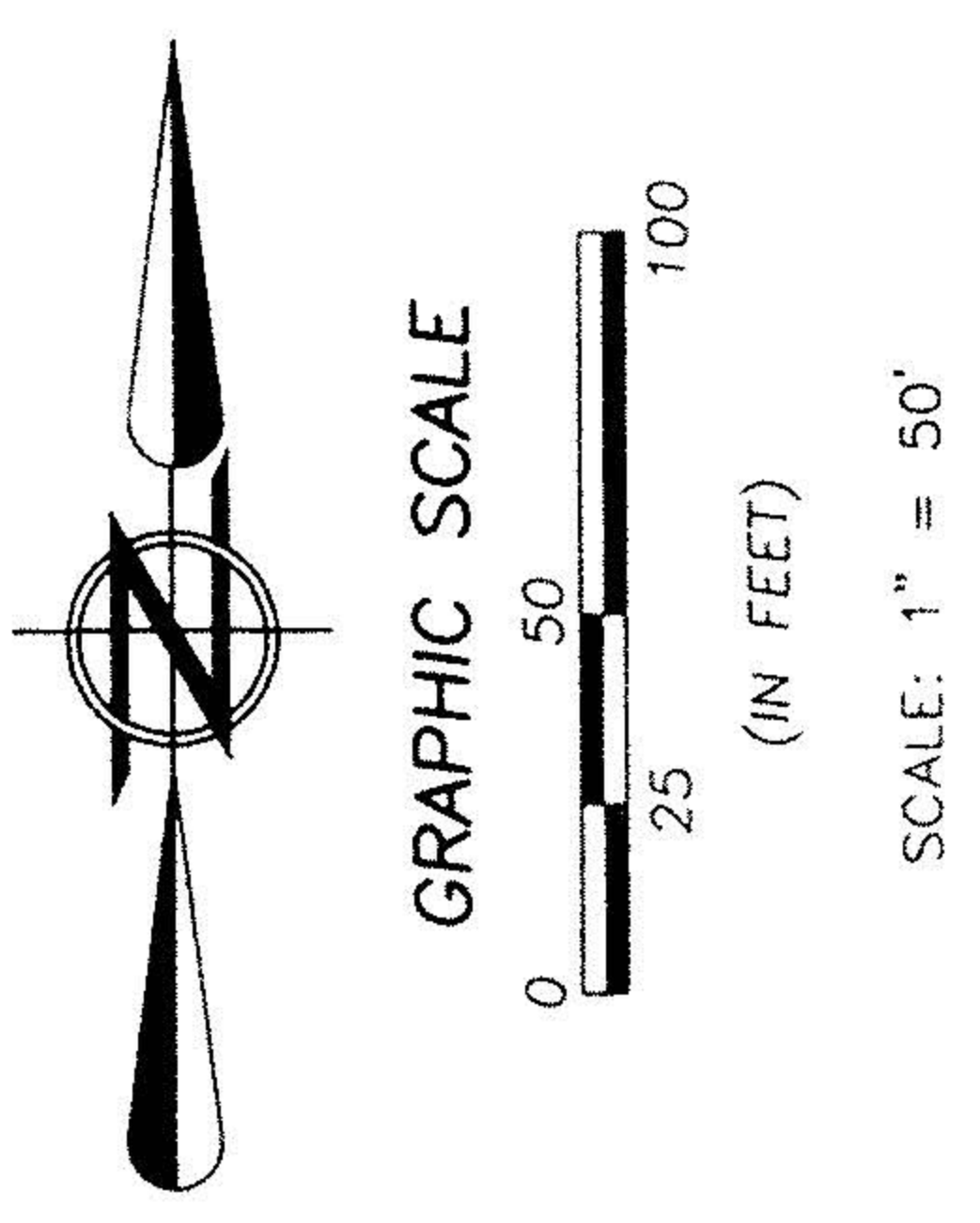


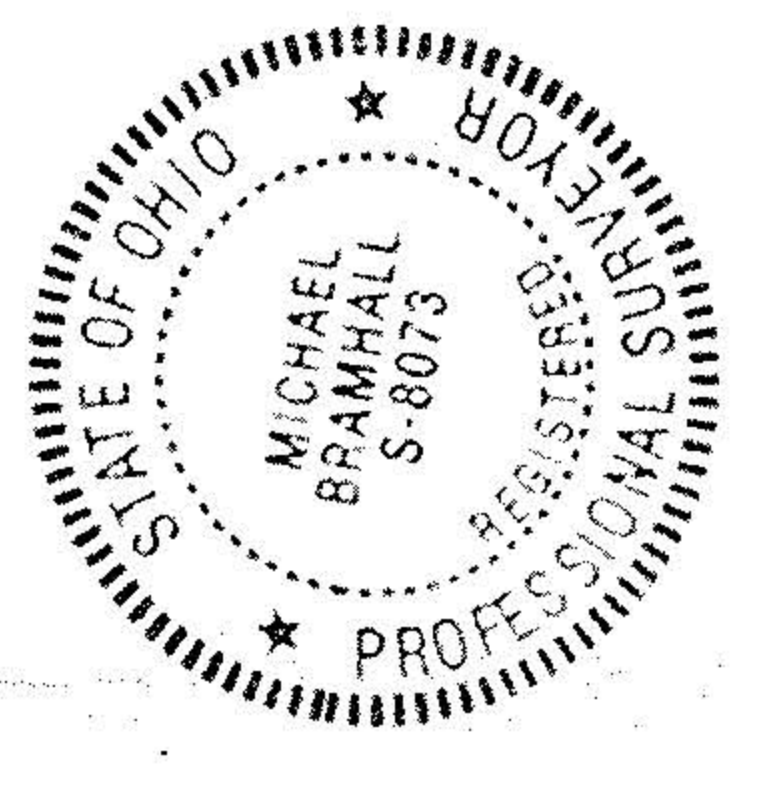
**BOUNDARY SURVEY & SPLIT MAP**  
**SITUATED IN TOWNSHIP OF EATON, COUNTY OF LORAIN, STATE OF OHIO,**  
**AND KNOWN AS BEING PART OF ORIGINAL EATON TOWNSHIP LOT NO. 92**  
**RECORDED IN VOLUME 1233, PAGE 340 OF LORAIN COUNTY OFFICIAL RECORDS**  
**PREPARED JULY 20, 2001**



**LEGEND**  
 ○ IRON PIN/PIPE FOUND  
 ● 5/8" CAPPED REBAR STAMPED "BRAMHALL" SET

THIS IS TO CERTIFY THAT AT THE REQUEST OF THE OWNERS I HAVE SURVEYED THE PARCEL AS SHOWN HEREON AND CONTAINING 7.3571 ACRES OF LAND IN ORIGINAL LOT 92 OF EATON TOWNSHIP, LORAIN COUNTY, OHIO. AT ALL POINTS THUSLY INDICATED, IRON PIN MONUMENTS WERE FOUND AND AT ALL POINTS THUSLY INDICATED, IRON PIN HEREOF MONUMENTS WERE SET. DISTANCES ARE SHOWN IN FEET AND DECIMAL PARTS THEREOF. BEARING SURVEY IN WHICH THE TRVERSE OF THE EXTERIOR BOUNDARIES OF THE TRACT AND OF EACH BLOCK WHEN COMPUTED FROM FIELD MEASUREMENTS OF THE GROUND CLOSED WITHIN A LIMIT OF ERROR OF ONE (1) FOOT TO TEN THOUSAND (10,000) FEET OF THE PERIMETER BEFORE BALANCING THE SURVEY, ALL OF WHICH I CERTIFY TO BE CORRECT.

*Michael C. Bramhall*  
 MICHAEL C. BRAMHALL P.E., P.S.  
 REGISTERED SURVEYOR NO. 8073



**BRAMHALL**  
 ENGINEERING AND SURVEYING CO., INC.  
 37307 HARVEST DRIVE, AVON, OHIO 44011  
 (440) 934-7878 (440) 934-7878 FAX  
 JOB NO. 96-193-X

7.3751 ACRES TOTAL  
 OLD PHOENIX LTD.  
 O.R.V. 1085 P. 722  
 11-00-092-000-073

VICTOR COHN, TRUSTEE  
 O.R.V. 1085 P. 722  
 11-00-092-000-070

000898  
 APPROVED  
 LORAIN CO.  
 MAP DEPT.  
 DATE 10-19-01  
 PAGE 11-00-092A  
 BY JHATFIELD  
 01-00898

OLD PHOENIX LTD.  
 INST. #880516140  
 11-00-092-000-040