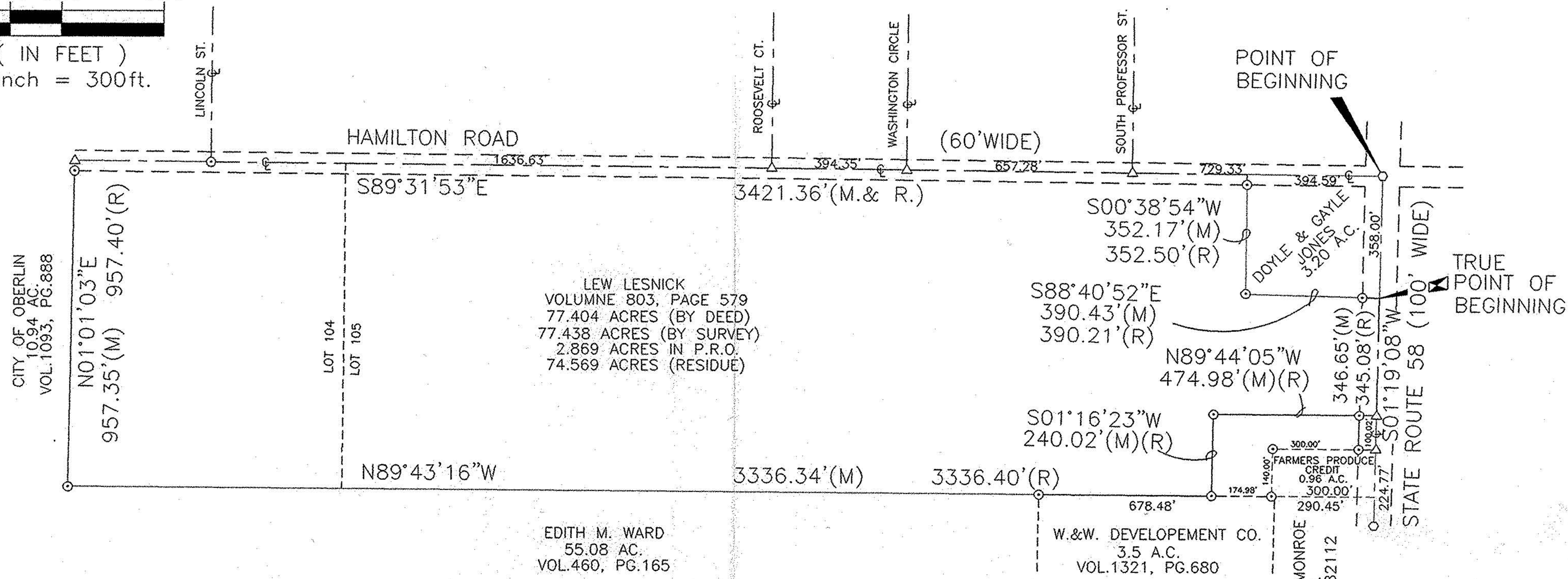
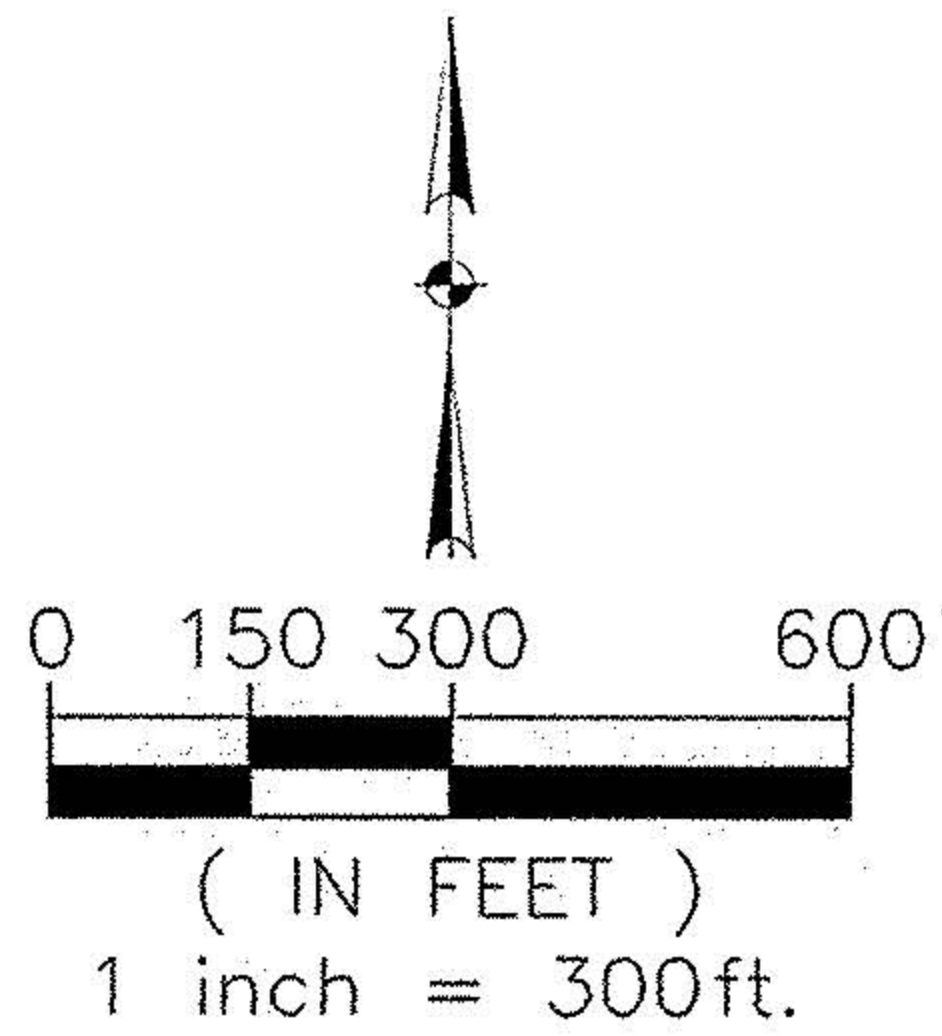


BOUNDARY SURVEY
OF
77.438 ACRE TRACT
LOCATED IN
STATE OF OHIO, LORAIN COUNTY, RUSSIA TOWNSHIP
BEING PART OF ORIGINAL TOWNSHIP LOTS 104 AND 105

Approved by the Oberlin Planning Commission

David M. Lucas
Dave Gibson, Chair

October 26, 1999
Date



CITY OF OBERLIN
10.94 AC.
VOL.1093, PG.888

N01°01'03\"/>

LOT 104
LOT 105

LEW LESNICK
VOLUME 803, PAGE 579
77.404 ACRES (BY DEED)
77.438 ACRES (BY SURVEY)
2.869 ACRES IN P.R.O.
74.569 ACRES (RESIDUE)

EDITH M. WARD
55.08 AC.
VOL.460, PG.165

W.&W. DEVELOPEMENT CO.
3.5 A.C.
VOL.1321, PG.680

CHRISTINE T. MONROE
1.00 A.C.
INSTR. 970482112

NOTES
THIS INSTRUMENT WAS PREPARED FROM AN ACTUAL FIELD SURVEY.

BEARING SHOWN HEREON ARE BASED ON THE CENTERLINE OF STATE ROUTE 58 AS SHOWN ON O.D.O.T. HIGHWAY PLANS LOR-58-(7.98-14.01) DATED 1969, BEING N 01° 09' 08" E.

HAMILTON ROAD RIGHT OF WAY IS DEDICATED 60 FEET WIDE IN LORAIN COUNTY ROAD RECORD VOLUME 1 PAGE 299 DATED JANUARY 1837.

STATE ROUTE 58 RIGHT OF WAY IS DEDICATED 100 FEET WIDE AS ASHOWN ON O.D.O.T. HIGHWAY PLANS LOR-58-(7.98-14.01) DATED 1969.

LEGEND
⊙ = FOUND IRON PIN
○ = FOUND MONUMENT
△ = FOUND RAILROAD SPIKE
(M) = MEASURED DISTANCE
(R) = RECORD DISTANCE

David M. Lucas 10-25-99
DAVID M. LUCAS DATE
PROFESSIONAL SURVEYOR
NO. 7866



Prepared By: G G C Surveyors, Inc.
104 Mill Street
Gahanna, Ohio 43230
Office:(614)471-7310
Fax:(614)471-7320