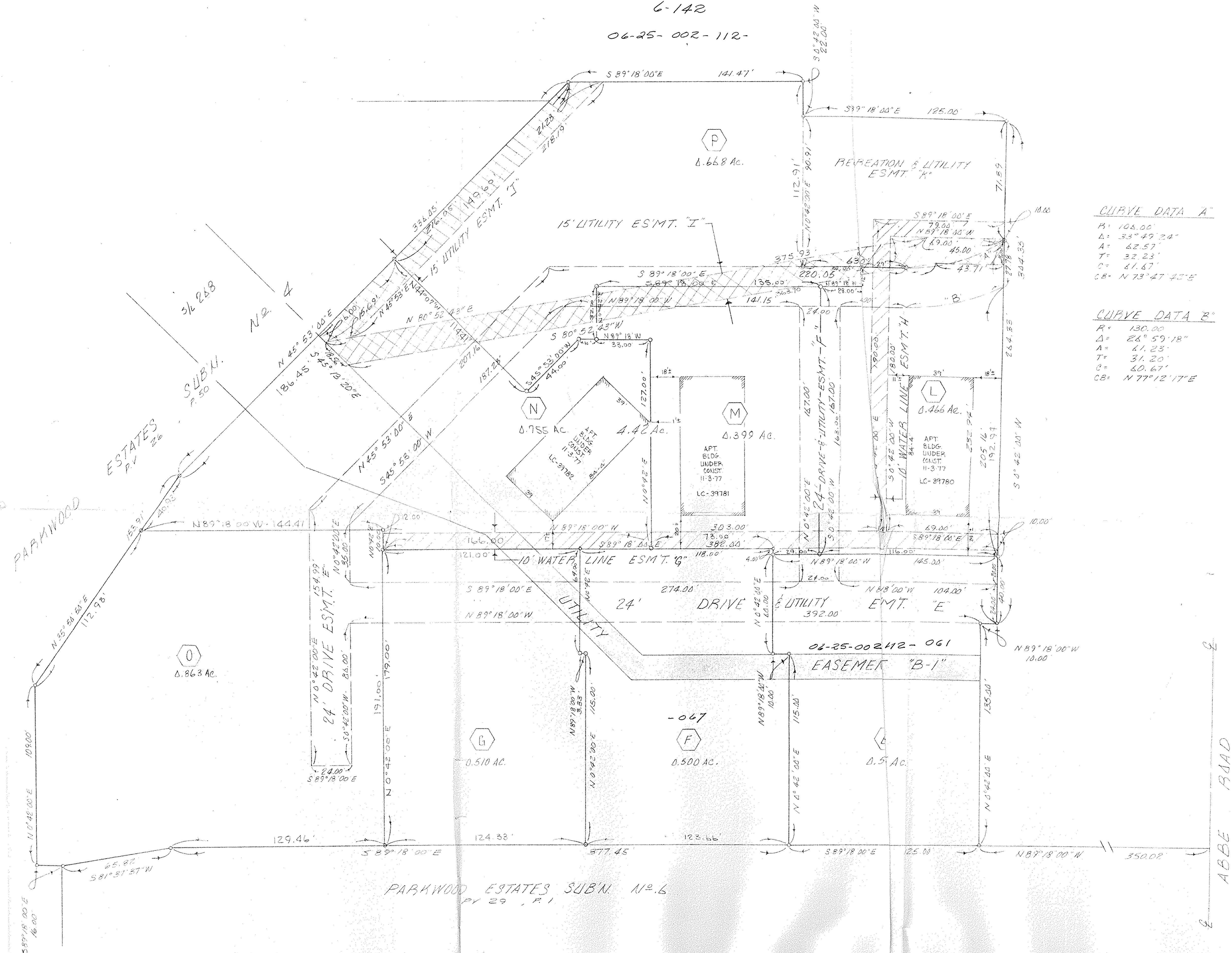
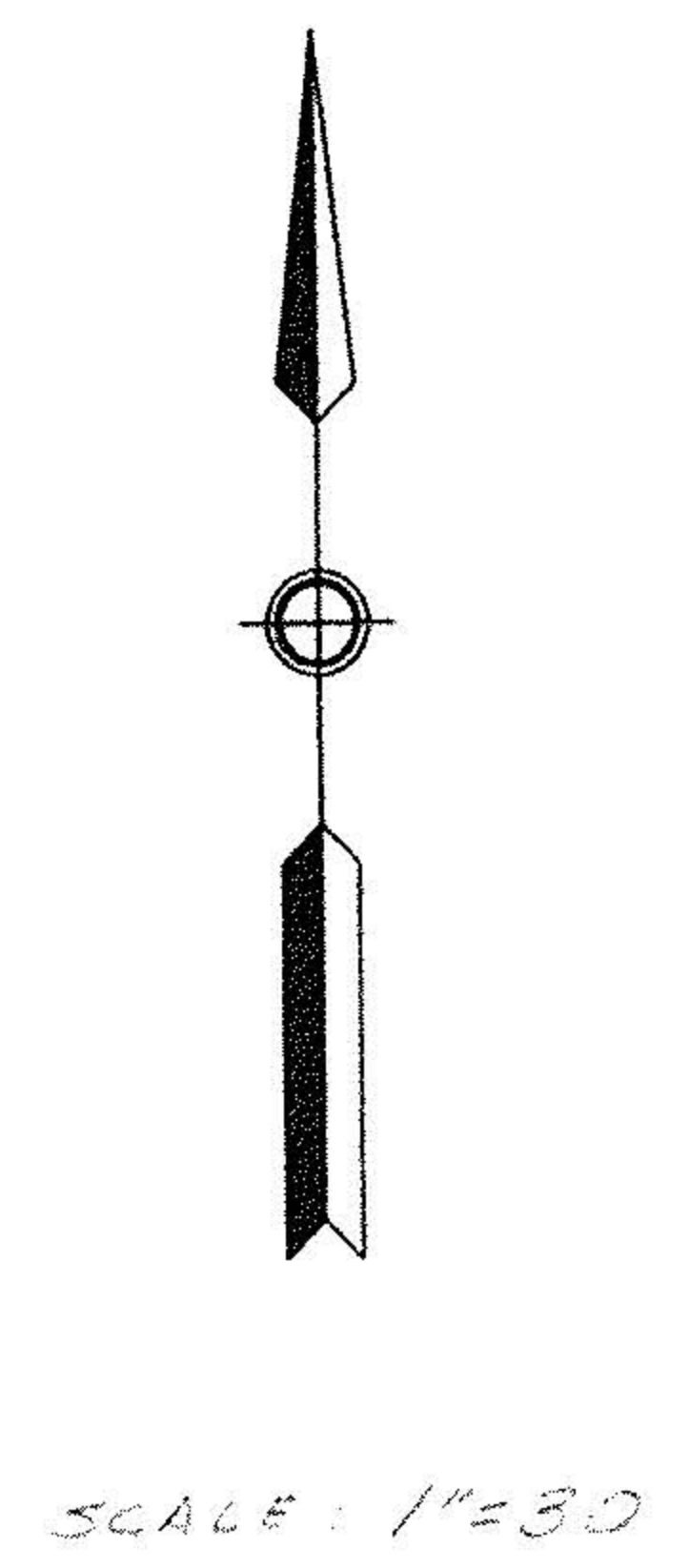


6-142  
06-25-002-112-



**CURVE DATA A'**

R: 106.00'  
Δ: 33° 49' 24"  
A: 62.57'  
T: 32.23'  
C: 61.67'  
CB: N 73° 47' 43" E

**CURVE DATA B'**

R: 130.00'  
Δ: 26° 59' 18"  
A: 41.25'  
T: 31.20'  
C: 60.67'  
CB: N 77° 12' 17" E

PARKWOOD ESTATES SUBN. NO. 6  
P. 29, P. 1

2. MORTGAGE LOAN IDENT. 11-3-77  
1. Rev. ADD. ESMT. "K"  
ESMT. L } 6/3/77 D.R.E.  
ESMT. TILES }

**PARCEL AND EASEMENT MAP**  
PARK MEADOWS APARTMENTS  
PART OF ORIGINAL ELYRIA TOWNSHIP LOT NO. 2  
EAST OF THE BLACK RIVER  
CITY OF ELYRIA COUNTY OF LORAIN STATE OF OHIO  
PREPARED BY: KLEINFEDER-SCHMIDT & ASSOC.  
CONSULTING ENGINEERS & SURVEYORS  
ELYRIA, OHIO