

PARCEL A
1.7535 ACRES

PARCEL B
8.9968 ACRES

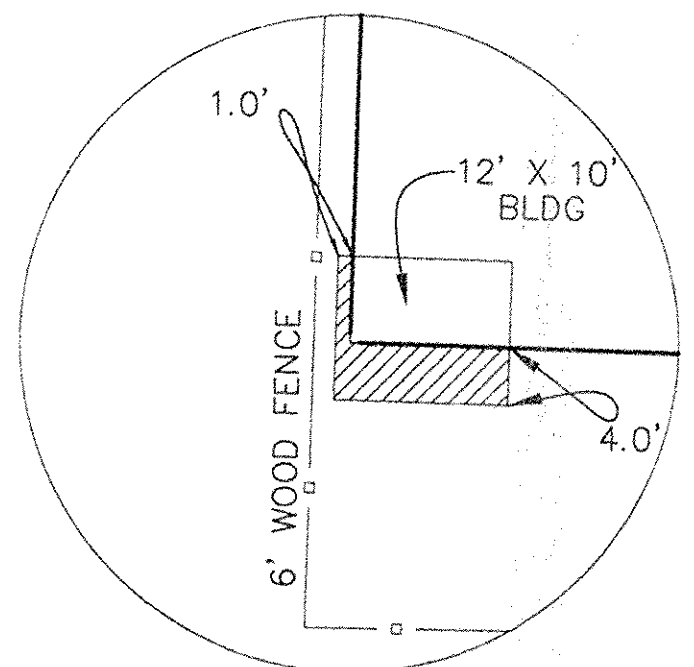
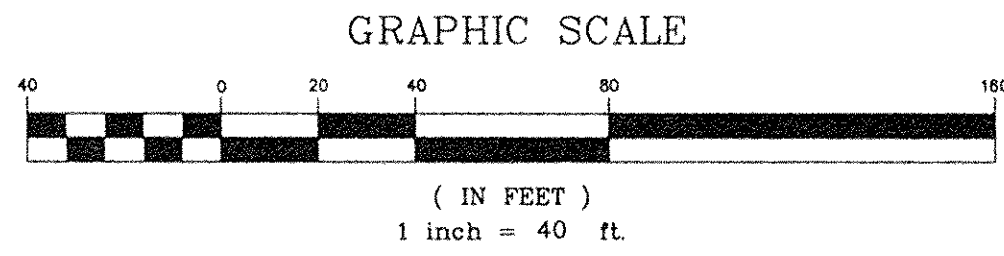
MARIAN N. TERNES
D.V. 1163 P. 465
P.P.N. 06-25-001-000-031
(TOTAL 10.7870 ACRES)

BUILDING ENCROACHMENT
(SEE DETAIL)

DALE YOST
O.R.V. 324 P. 281
-008

Phil A. Rosebeck
PHIL A. ROSEBECK
REG. SURVEYOR #6696

PRINTED
OCT 26 1994
KS ASSOCIATES, INC.



BUILDING ENCROACHMENT
DETAIL
(NO SCALE)

BARBARA BASCI
O.R.V. 340 P. 213
-011

DATE	REVISIONS	DESCRIPTION
5-25-94		
10-24-94	1	REVISED PARCEL A
7/05/94	2	ADDED ENCROACHMENTS & PINS SET
6/17/94	3	REMOVE R/W PARCELS
6/9/94	4	REVISE PARCEL SPLITS

SURVEY MAP
PART OF ORIGINAL ELYRIA TOWNSHIP LOT NO. 1
EAST OF RIVER
CITY OF ELYRIA * COUNTY OF LORAIN * STATE OF OHIO
MAY 10, 1994 SCALE: 1"=40'

KS ASSOCIATES, INC.
ENGINEERS/SURVEYORS
424 Middle Avenue
P.O. Box 89
Elyria, Ohio 44036
ELYRIA (216) 322-6317 * LORAIN (216) 244-5757



SHEET
1 OF
1
JOB NO.
93746

06-25-94-000

DATE	11-12-94
PAGE	G-143
BY	BARBARA BASCI
21122	