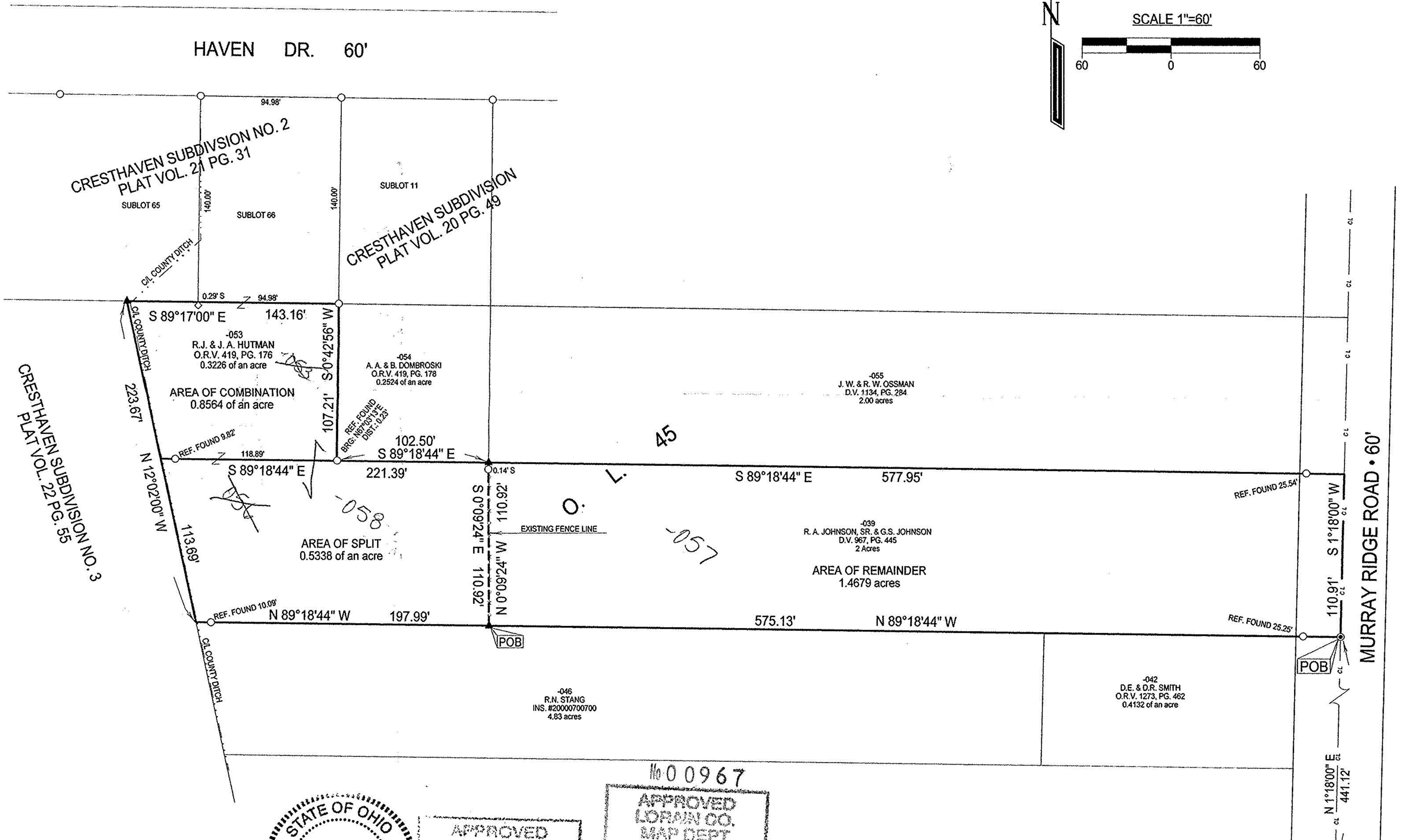
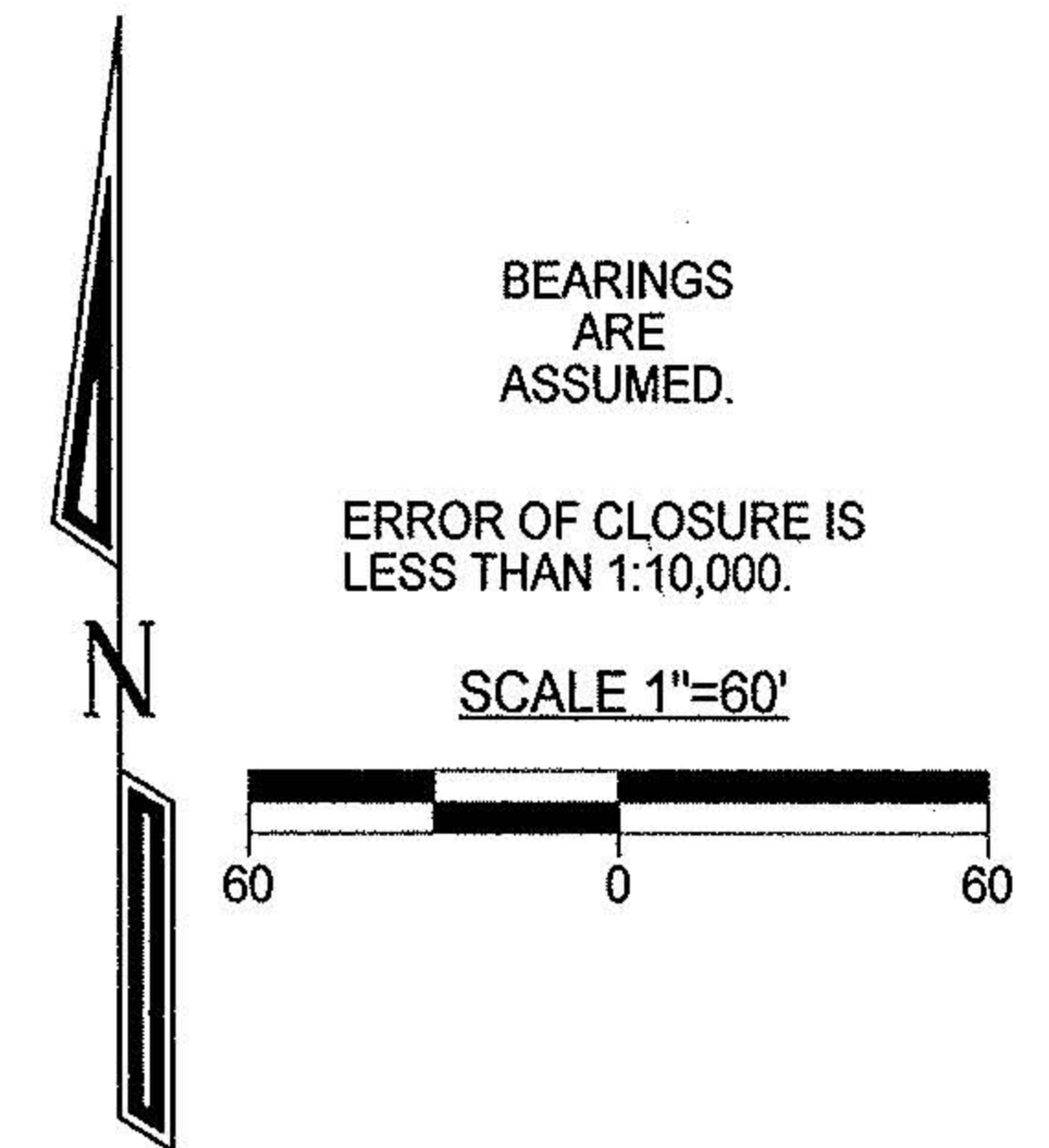


**Legend**

- Iron Pipe Found
- ◇ Iron Bar Found
- ⊙ Magnetic PK Spike Set
- ▲ 5/8" Iron Pin Set with Cap Stamped "Kelser 7871"

PLAT OF BOUNDARY SURVEY  
**ROBERT J. & JEAN A. HUTMAN**  
 PART OF ORIGINAL LOT NO. 45, WEST OF BLACK RIVER  
 TOWNSHIP OF ELYRIA, LORAIN COUNTY, OHIO



**LAUNDON • SIMON • KELSER & ASSOC., INC.**  
 PROFESSIONAL LAND SURVEYORS  
 110 MIDDLE AVE. • ELYRIA, OHIO • 44035  
 PHONE (440) 322-7625

*Alex Kelser*  
 Alex Kelser RLS #7871



DATE: 07/19/01  
 JOB NO.: 01-3372

APPROVED  
 LORAIN CO.  
 MAP DEPT  
 DATE  
 PAGE  
 BY

No 00967  
 APPROVED  
 LORAIN CO.  
 MAP DEPT  
 DATE 1-18-02  
 PAGE 6-39  
 BY J HATFIELD  
 # 02-00967

MURRAY RIDGE ROAD • 60'