

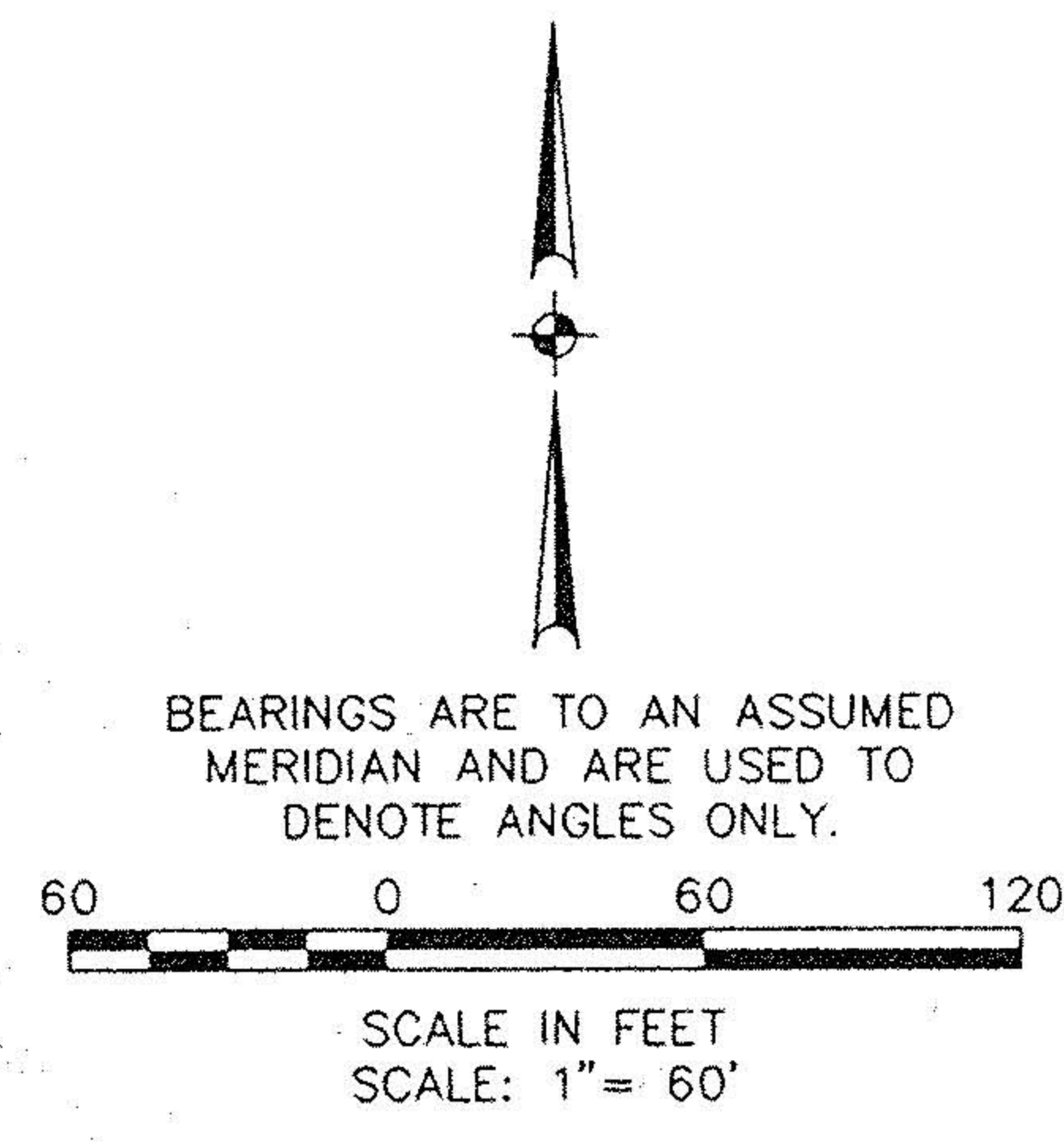
- ⊙ - IPIN/IPIPE FOUND
- - 5/8" REBAR SET
- R - RECORD
- C - CALCULATED
- U - USED
- P - PRORATED

CURVE TABLE					
CURVE	DELTA	RADIUS	LENGTH	CHORD	CB
C1	00°08'49"	2096.83	5.38	5.38	N85°21'30"W
C2	01°21'59"	2096.83	50.00	50.00	N86°06'54"W
C3	01°21'58"	2096.83	50.00	50.00	N87°28'53"W
C4	01°21'58"	2096.83	50.00	50.00	N88°50'51"W
C5	01°21'58"	2096.83	50.00	50.00	S89°47'11"W
C6	01°21'58"	2096.83	50.00	50.00	S88°25'13"W
C7	03°01'59"	2096.83	110.00	110.99	S86°13'15"W
C8	10°00'38"	2096.83	366.38	365.91	S89°42'35"W

PCL NO.	COMBINED ACREAGE
B	0.3862 AC.
C	0.4147 AC.
D	0.4466 AC.
E	0.3190 AC.
F	0.3190 AC.
G	0.3190 AC.
H	0.3190 AC.
I	0.3485 AC.
J	0.3500 AC.
K	0.3530 AC.
L	0.3574 AC.
M	0.3633 AC.
N	0.3647 AC.

#22690

APPROVED
LORAIN CO.
MAP DEPT.
DATE 11-9-98
DATE 6-70
TJS
22690



David L. Elwell
DAVID L. ELWELL
PROFESSIONAL SURVEYOR NO. 6333



DATE	DESCRIPTION
07-24-98	
08-28-98	PARCEL "N" COMB. PARCEL CORRECTION
	COMBINED ACREAGES TABLE ADDED

**BOUNDARY SURVEY
PARCEL SPLIT**

PART OF ORIGINAL ELYRIA TOWNSHIP LOTS NO. 31 & 32,
EAST OF BLACK RIVER
CITY OF ELYRIA • COUNTY OF LORAIN • STATE OF OHIO

KS ASSOCIATES, INC.
ENGINEERS/SURVEYORS
424 Middle Avenue
P.O. Box 89
Elyria, Ohio 44036
PHONE: (216) 322-6317 * FAX: (216) 284-0623

ENGINEERS/SURVEYORS

ASSOCIATES
INCORPORATED

SHEET
1 OF
1
JOB NO.
98121-S