

GRAPHIC SCALE



(IN FEET)
1 Inch = 40 Ft
APRIL 1990

LOT SPLIT

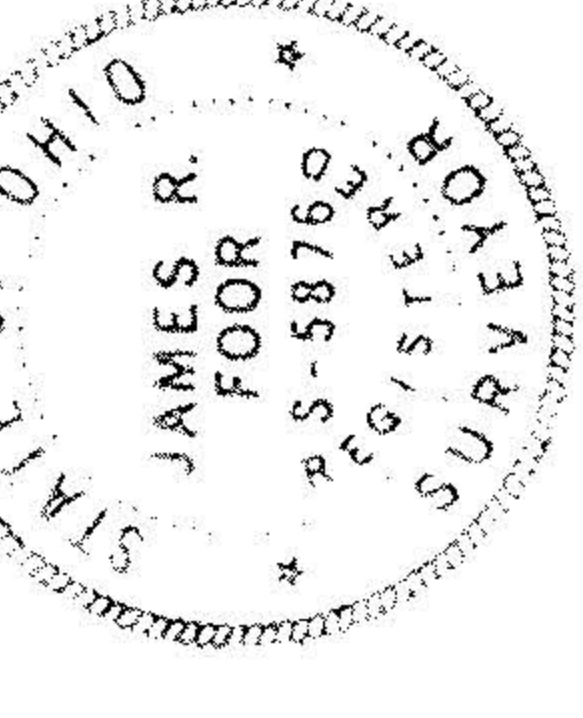
ORIGINAL ELYRIA LOT No. 10 COUNTY OF LORAIN STATE OF OHIO

PENN-CENTRAL RAILROAD
(NEW YORK CENTRAL RAILROAD D.V. 484 P. 71)



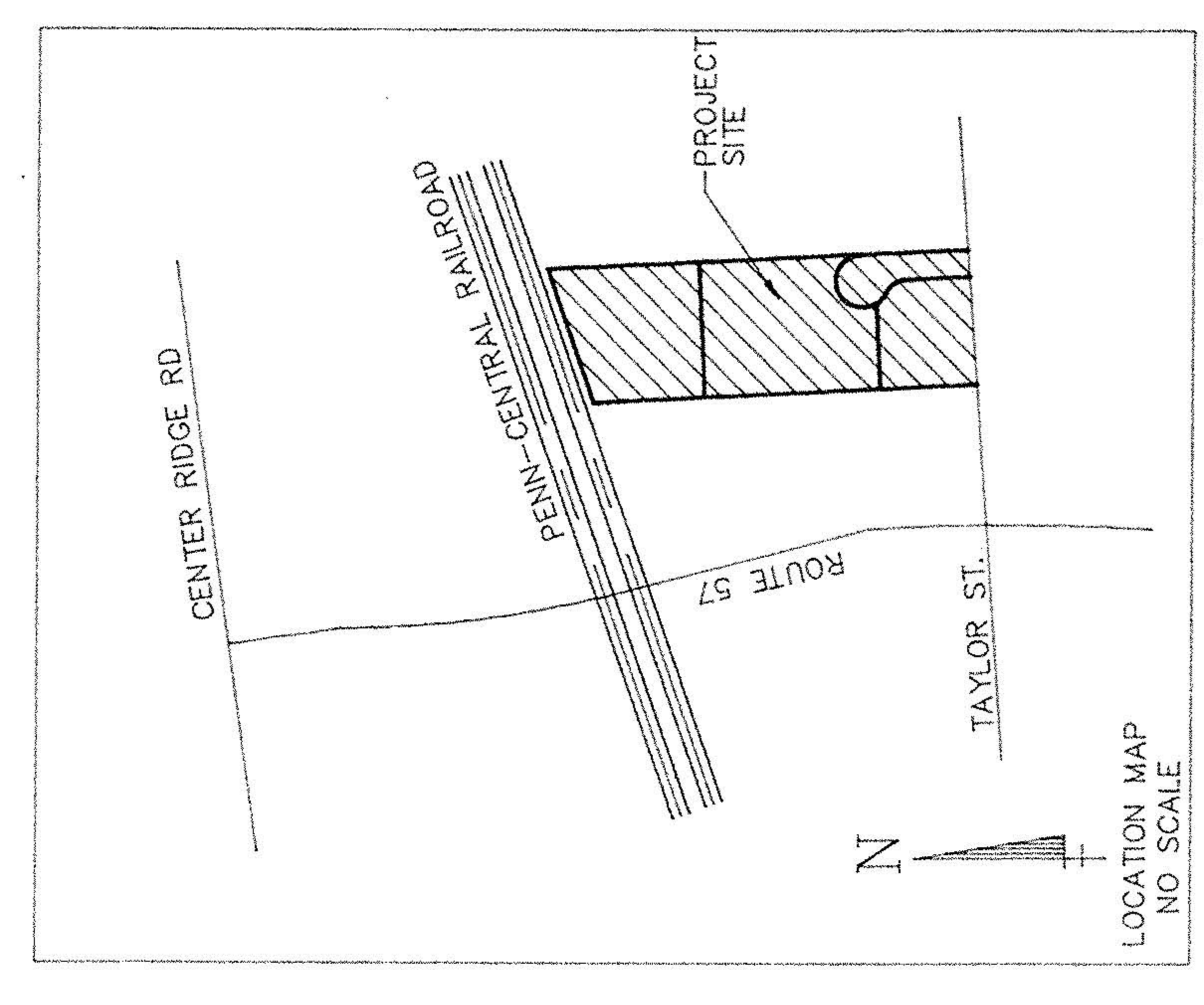
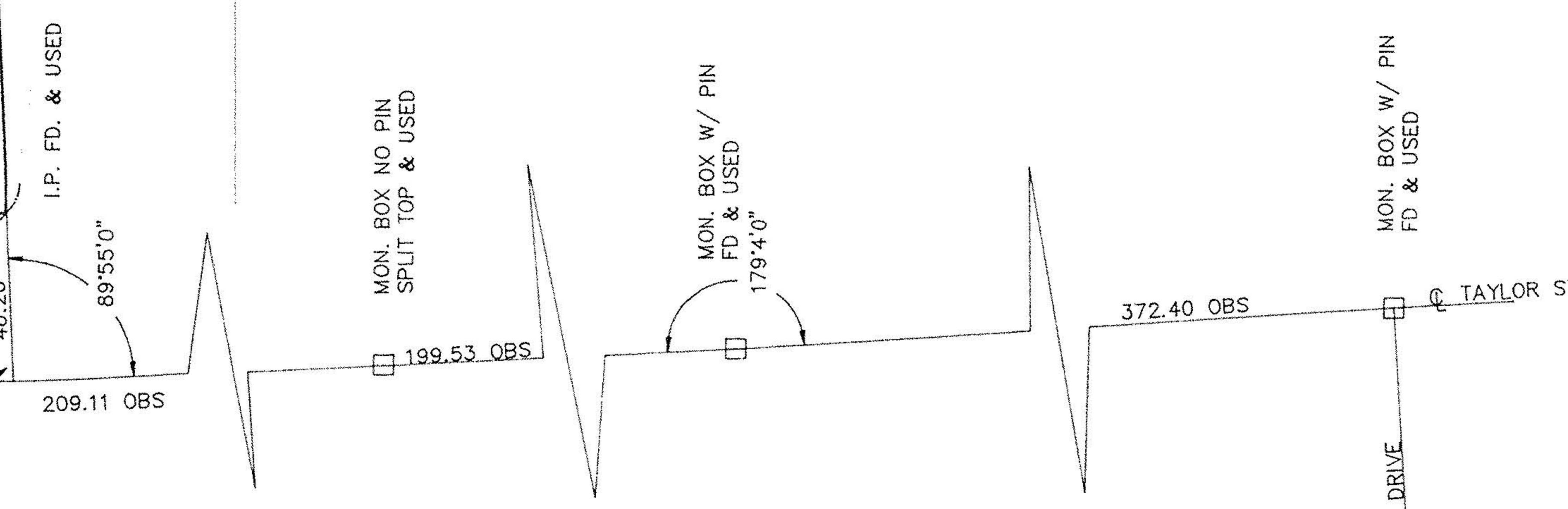
SUBDIVIDER/OWNER:
INDUSTRIAL LEASING PARTNERSHIP
155 YORKSHIRE COURT
ELYRIA, OHIO 44035

SURVEYOR
FOOR & ASSOCIATES
3550 CENTER RIDGE ROAD
NORTH RIDGEVILLE, OHIO 44130



AREAS:
PARCEL 1 = 1.919 ACRES
PARCEL 2 = 2.370 ACRES
PARCEL 3 = 2.132 ACRES
TOTAL = 6.421 ACRES

PAVEMENT CRACK
1.5' NORTH



#19119

APPROVED
LORAIN CO.
MAP DEPT.
DATE 9-10-90
PAGE 6-107
BY J. M. [Signature]
VOID AFTER 19119