

**PARCEL A**  
1.7535 ACRES

**PARCEL B**  
8.9968 ACRES

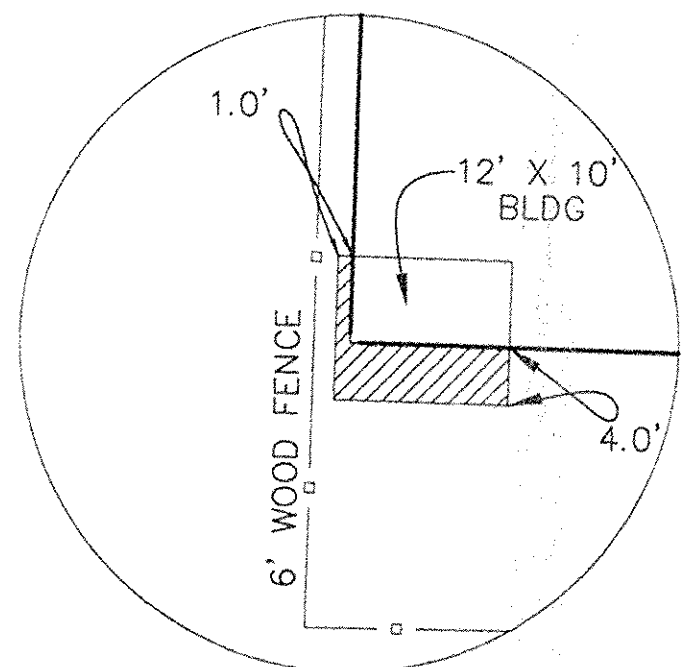
**MARIAN N. TERNES**  
D.V. 1163 P. 465  
P.P.N. 06-25-001-000-031  
(TOTAL 10.7870 ACRES)

BUILDING ENCROACHMENT  
(SEE DETAIL)

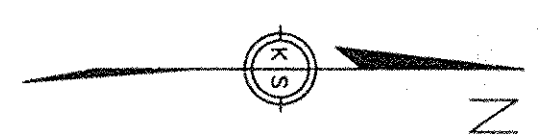
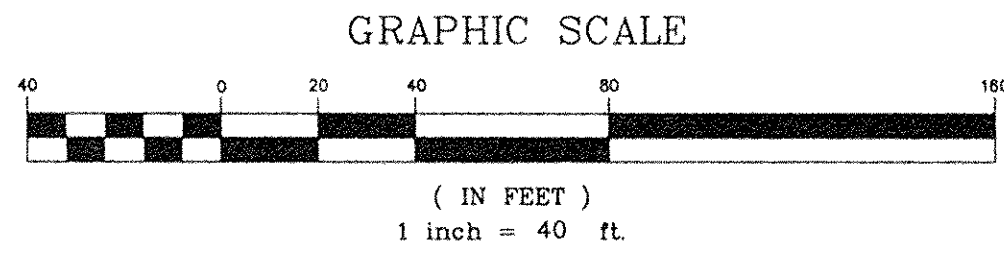
DALE YOST  
O.R.V. 324 P. 281  
-008

ABBWOOD LIMITED PARTNERSHIP  
D.V. 1389, P. 73  
-043

PRINTED  
OCT 26 1994  
KS ASSOCIATES, INC.



BUILDING ENCROACHMENT  
DETAIL  
(NO SCALE)



06-25-94-000

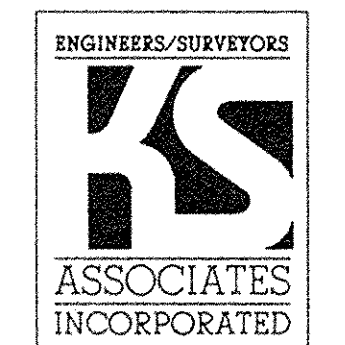
BARBARA BASCI  
O.R.V. 340 P. 213  
-011

DATE	11-12-94
PAGE	G-143
BY	BARBARA BASCI
APPROVED	21122
LORAIN CO. MAP DEPT.	

DATE	REVISIONS
5-25-94	
10-24-94	REVISED PARCEL A
7/05/94	ADDED ENCROACHMENTS & PINS SET
6/17/94	REMOVE R/W PARCELS
6/9/94	REVISE PARCEL SPLITS

**SURVEY MAP**  
PART OF ORIGINAL ELYRIA TOWNSHIP LOT NO. 1  
EAST OF RIVER  
CITY OF ELYRIA \* COUNTY OF LORAIN \* STATE OF OHIO  
MAY 10, 1994 SCALE: 1"=40'

**KS ASSOCIATES, INC.**  
ENGINEERS/SURVEYORS  
424 Middle Avenue  
P.O. Box 89  
Elyria, Ohio 44036  
ELYRIA (216) 322-6317 \* LORAIN (216) 244-5757



SHEET  
1 OF  
1  
JOB NO.  
93746