

LEGEND

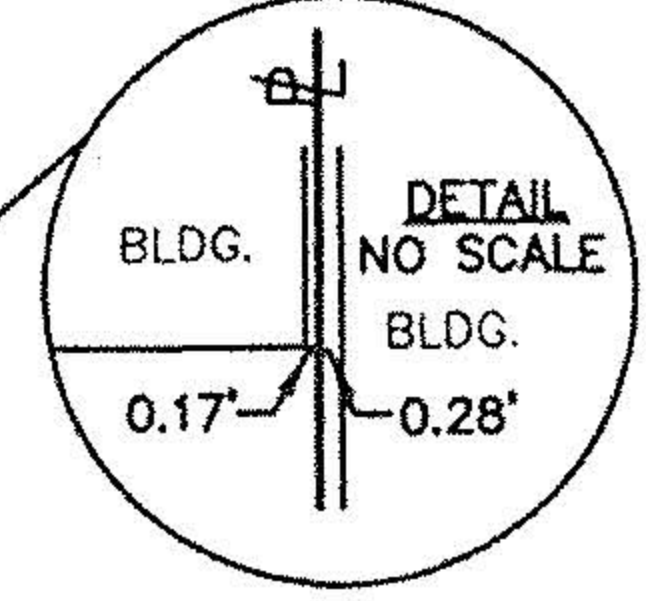
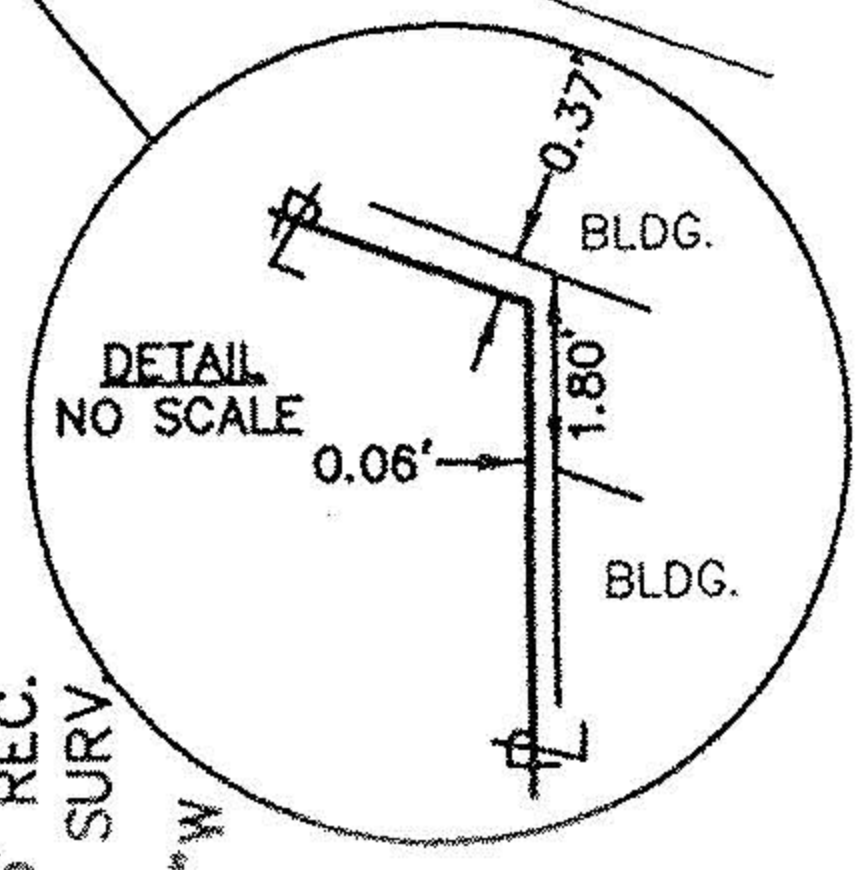
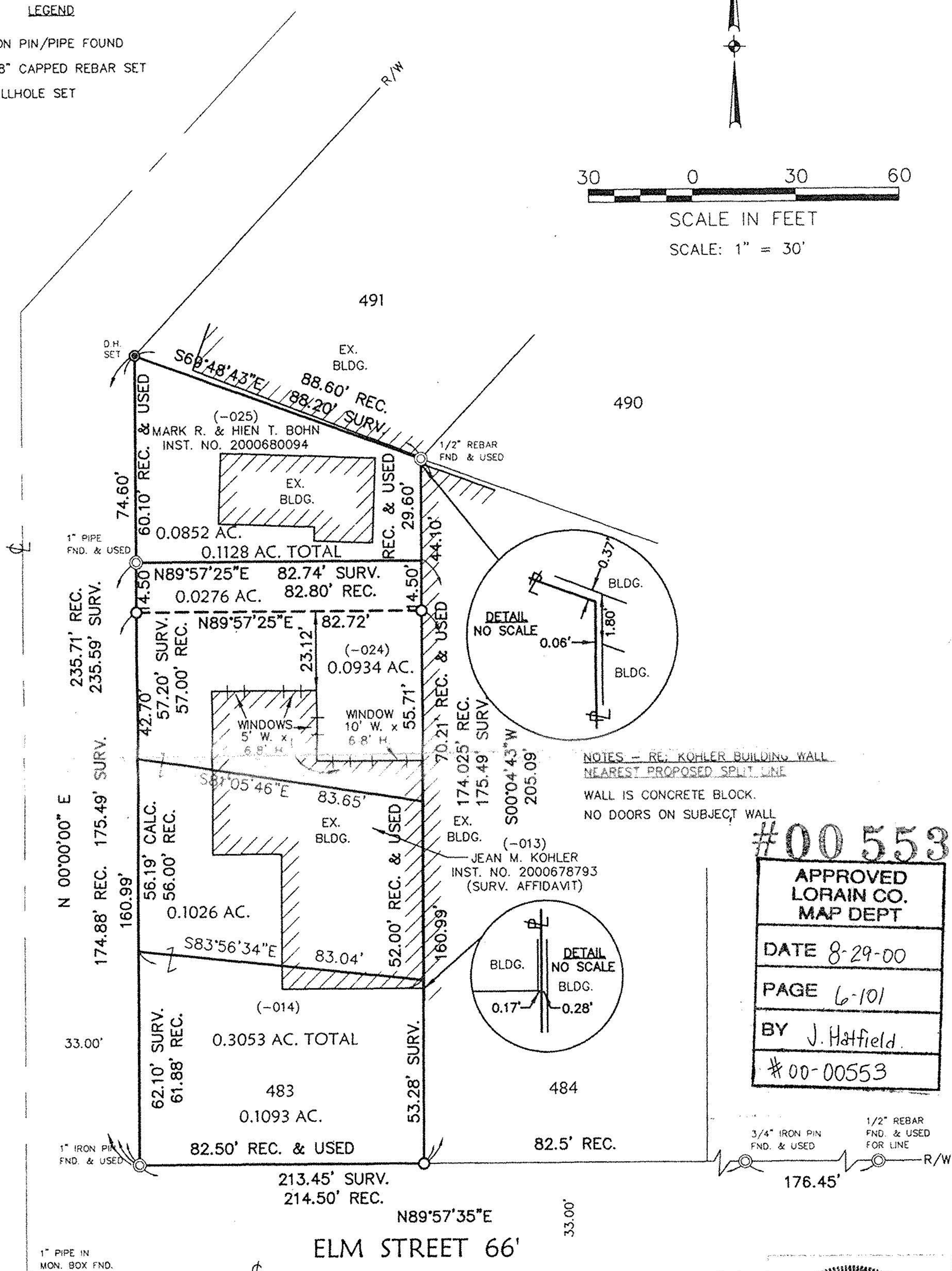
- ⊙ IRON PIN/PIPE FOUND
- 5/8" CAPPED REBAR SET
- DRILLHOLE SET



SCALE IN FEET

SCALE: 1" = 30'

CHESTNUT STREET 66'

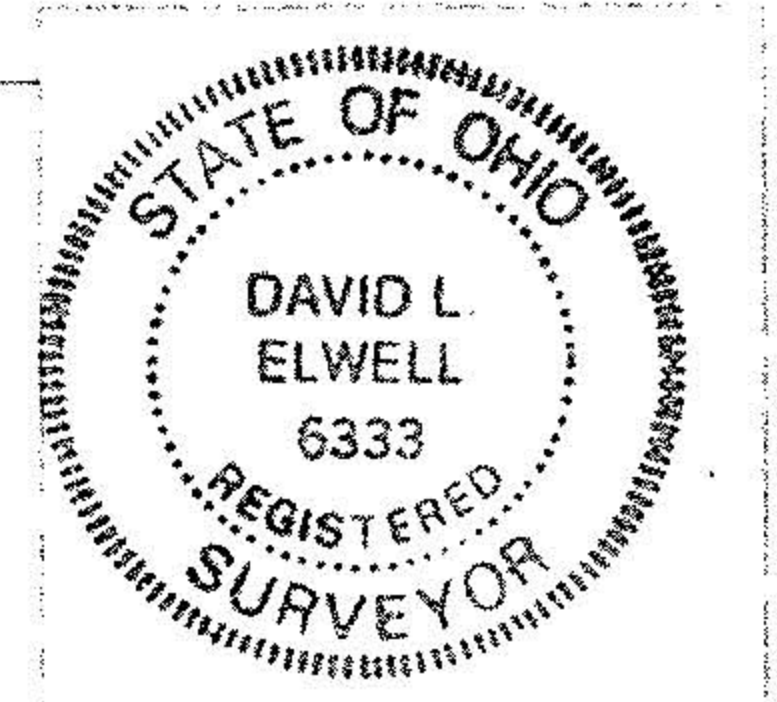


NOTES - RE: KOHLER BUILDING WALL NEAREST PROPOSED SPLIT LINE  
WALL IS CONCRETE BLOCK.  
NO DOORS ON SUBJECT WALL

#00553

APPROVED LORAIN CO. MAP DEPT
DATE 8-29-00
PAGE 6-101
BY J. Hatfield.
#00-00553

3/4" IRON PIN FND. & USED  
1/2" REBAR FND. & USED FOR LINE



*David L. Elwell*

DAVID L. ELWELL, REGISTERED SURVEYOR NO. 6333

424 Middle Avenue  
P.O. Box 569  
Elyria, Ohio 44036  
Phone (440) 322-6317  
Fax (440) 284-0623  
mailroom@ksassoc.com  
www.ksassoc.com

BOUNDARY SURVEY  
OF  
SUBLOT 483 IN BLOCK 92 IN  
CHARLES ELY'S ADDITION-P.V. 1 P. 21  
CITY OF ELYRIA COUNTY OF LORAIN STATE OF OHIO  
MAY 9, 2000 - REV. JUNE 20, 2000, REV. JULY 12, 2000

JOB NO. 00097-R  
DWG. NAME 0-SPLT01