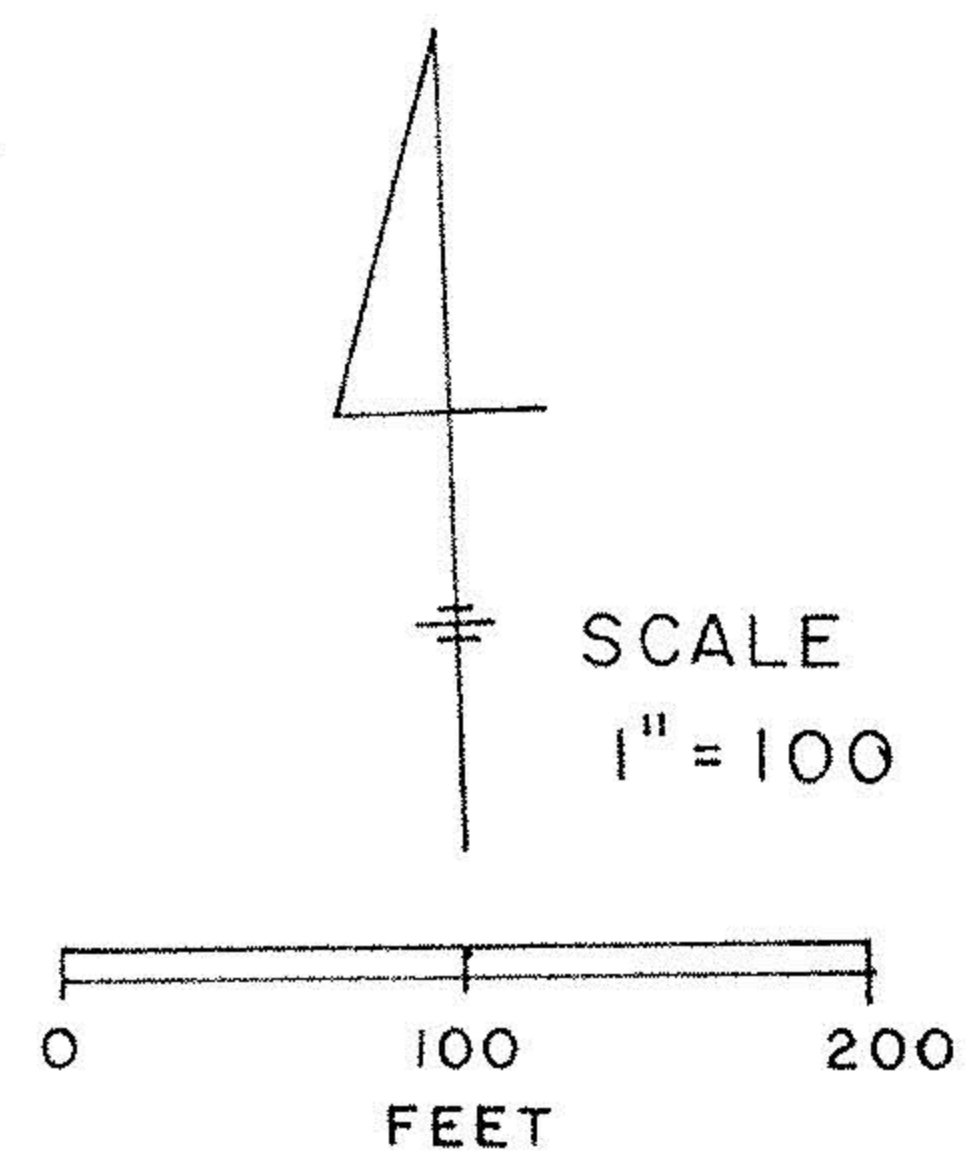


LEGEND: IRON PIPES, RODS FOUND,  
SET, SHOWN THUS: ○

NORTH



4  
NO.  
SUBDIV.  
VALLEY P 10  
33,  
HIDDEN P. V.

N1°59'E 727.22'

BOARD OF TRUSTEES  
AMHERST TOWNSHIP  
V.1264, P.755

9.5985 Ac. Park "C"  
0.2685 Ac. Drive "A"  
Total 9.8670 Ac.

Robert, Carol J. Matesick  
V.1214, P.325

ARLINGTON  
P. V. 211

400  
ACRES

ROSEDALE AVE.

Eula M. Kolbe  
V.815, P.333

Richard, Martha S. Burrows  
O.R.V. 336, P.33

Wilbur P.,  
Kathleen  
Bogner  
V.1407, P.291

Lucille P. Trelka  
V.1269, P.849

S52°25'E 59.38'

S16°18'02"W 294.39'

N65°06'W 499.13'

S43°10'W 154.26'

N65°06'W 148.20'

1.1027  
Acres  
R.E., M.D.  
PETERS  
V.1324,  
P.317

1/2 I.R. Set  
30.14

MIDDLE RIDGE ROAD (60')  
S 43° 10' 00" W  
370.75'

#22506  
APPROVED  
LORAIN CO.  
MAP DEPT  
DATE 4/30/98  
PAGE 5-00-063-A  
BY K. COLBERT  
#22506

MAP OF SURVEY MADE,  
DIVISION, COMBINING LANDS,  
PART OF ORIGINAL LOT NO. 63,  
AMHERST TWP, LORAIN CO., OHIO  
FOR AMHERST TOWNSHIP TRUSTEES  
March, 1998

Charles P. Waryu  
CHARLES P. WARYU,  
REGISTERED SURVEYOR NO. 5029