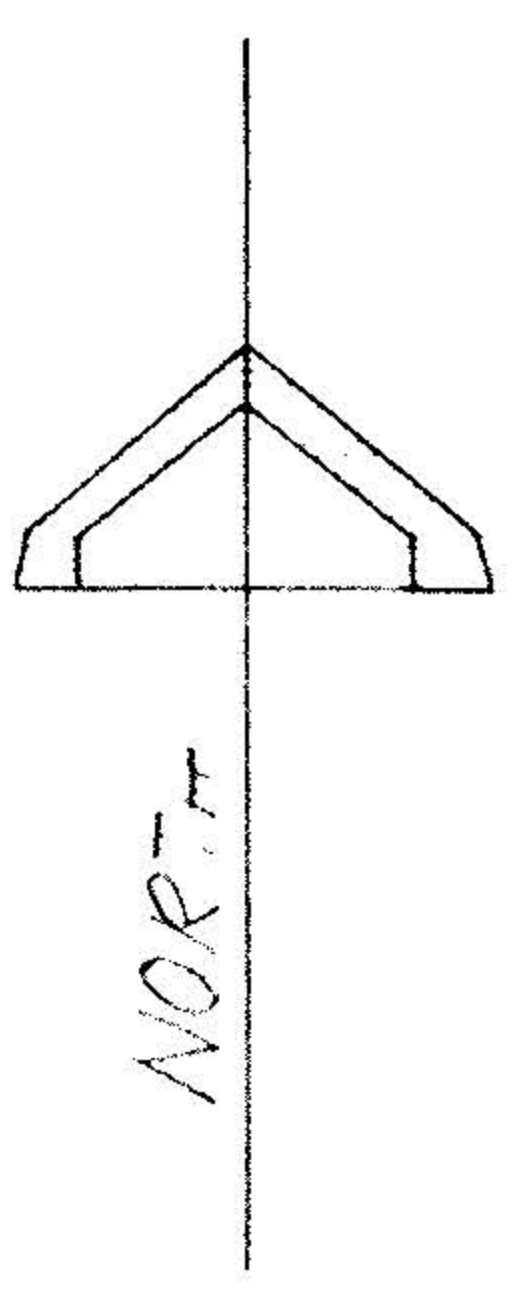


APPROVED
 LORAIN CO.
 MAP DEPT.
 DATE 1-24-79
 CASE 5-00-015-A
 L. Marshall



#12381
 E. 08 21.92 S
 00 08

9 1/2 AC NORTH

CREEK - EASTERN
 CORPORATION LINE
 OF THE CITY OF
 AMHERST, OHIO

DAVID S. TOXTER

WESTERLY LINE OF OL 15

CREEK

BEAVER

875 ACRES
 -065

05-00-015-000

SIRY C. LANE
 DISTRICT M. MESSALL
 NOV 15 1978

N 18° 00' 40" W
 64.21

N 18° 58' 00" E
 128.1

N 45° 30' 45" W
 25.76

CALC. TOTAL
 1.69 A.

S 23° 31' 00" W
 31.170

S 65° 51' 30" W
 183.50

S 43° 14' 30" W
 176.97

S 27° 19' 00" W
 176.11

E 41° 57' 29" S
 18.89

-058

-068

MIDDLE

RIDGE

ROAD

PALE

SOUTH AMHERST

ROAD

DIOCESE OF
 CLEVELAND, OHIO
 BISHOP JAMES I.
 WICKLEY
 VOL. 1705 PG. 258

LARRY MARSHALL
 AMHERST, OHIO

PART OF ORIGINAL LOT 15
 AMHERST TOWNSHIP
 LORAIN COUNTY, OHIO

DATE SEPT 29, 1978
 SCALE 1"=100'