

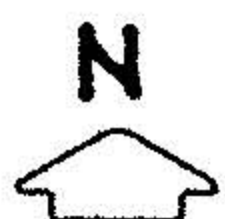
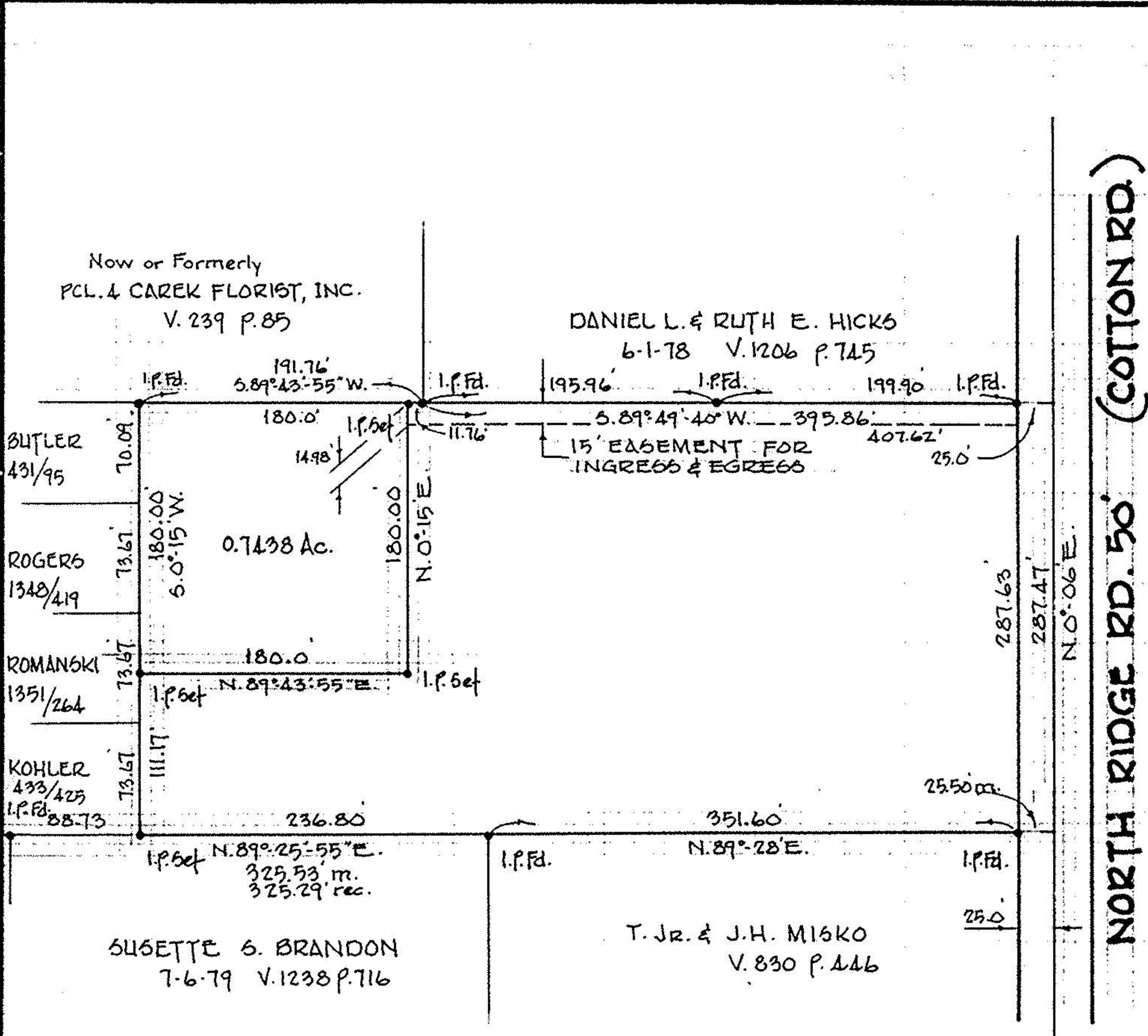


LAUNDON • SIMON • CAHL & ASSOC. INC.  
 CONSULTING ENGINEERS & SURVEYORS  
 ELYRIA, OHIO 44035

SURVEY FOR:

FRANK C. MARTIN JR.

Orig. Lot 113	City of	Date AUG. 30, 85 Scale 1"=100'
Orig. Sec	Village of	Dwn. by R.G.S. Chkd. by
Tract	County of LORAIN	Job No. 85-1413 F.B. 206/67
Township of SHEFFIELD	State of OHIO	Printed



NOTE:  
 BEARINGS SHOWN ARE ASSUMED AND  
 USED TO DESCRIBE ANGLES ONLY.