

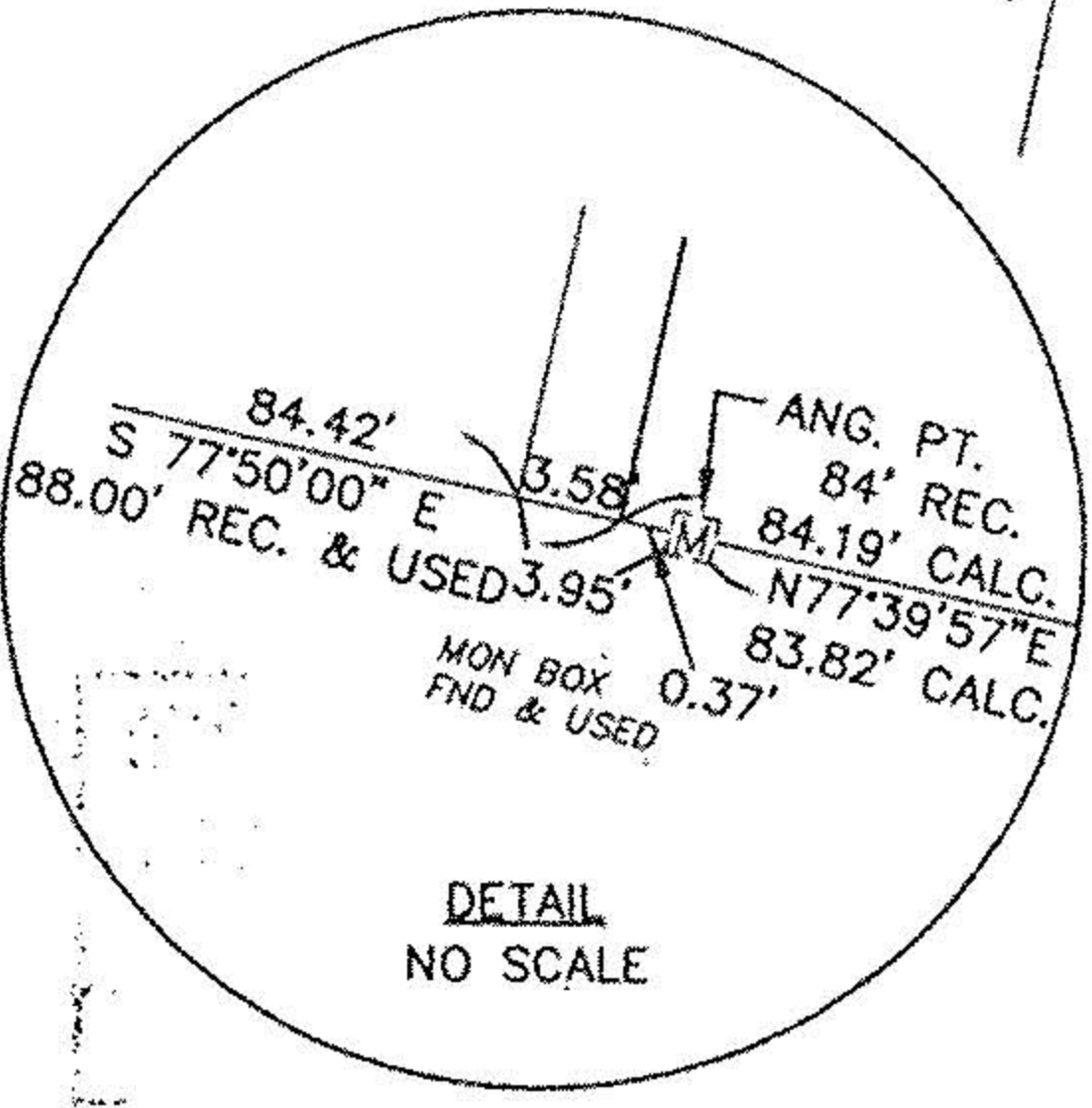
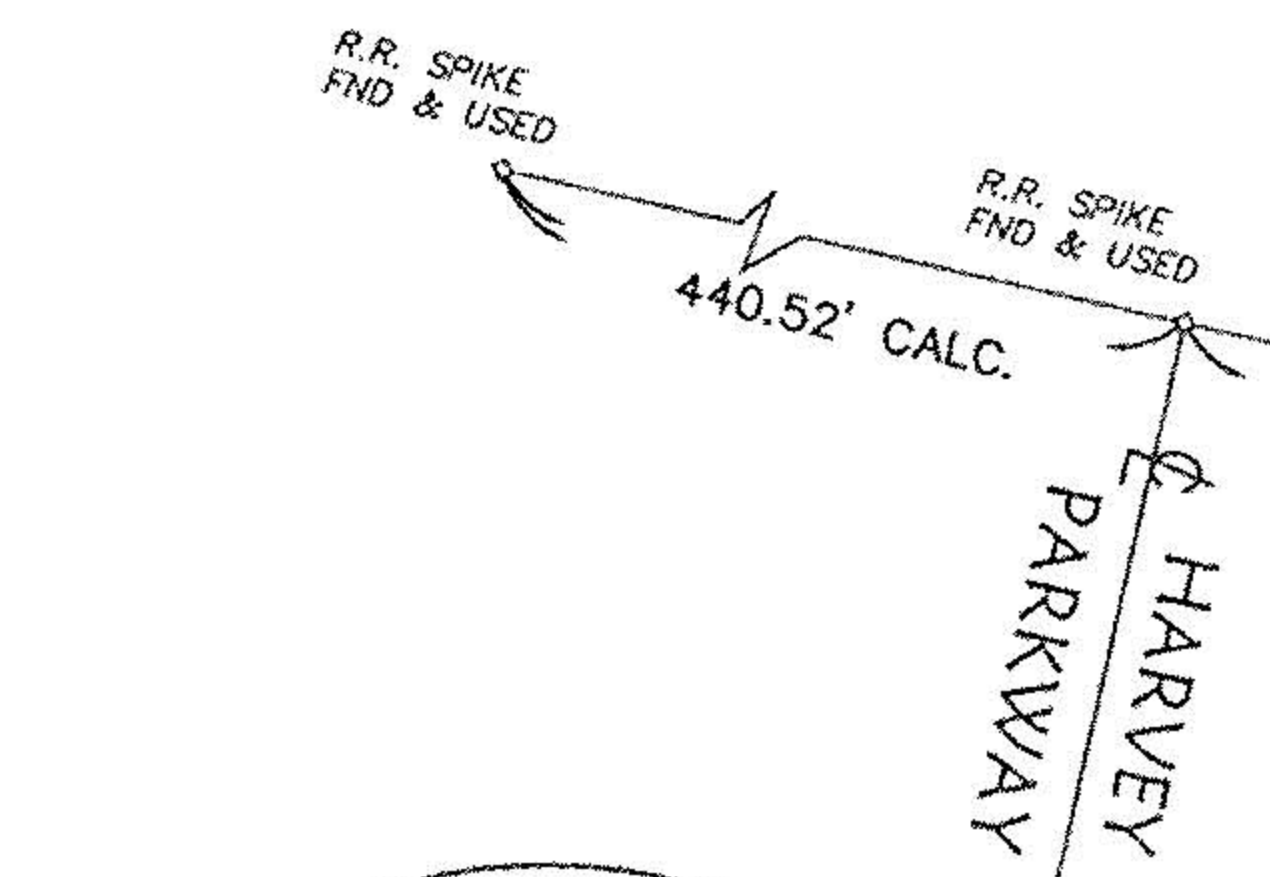
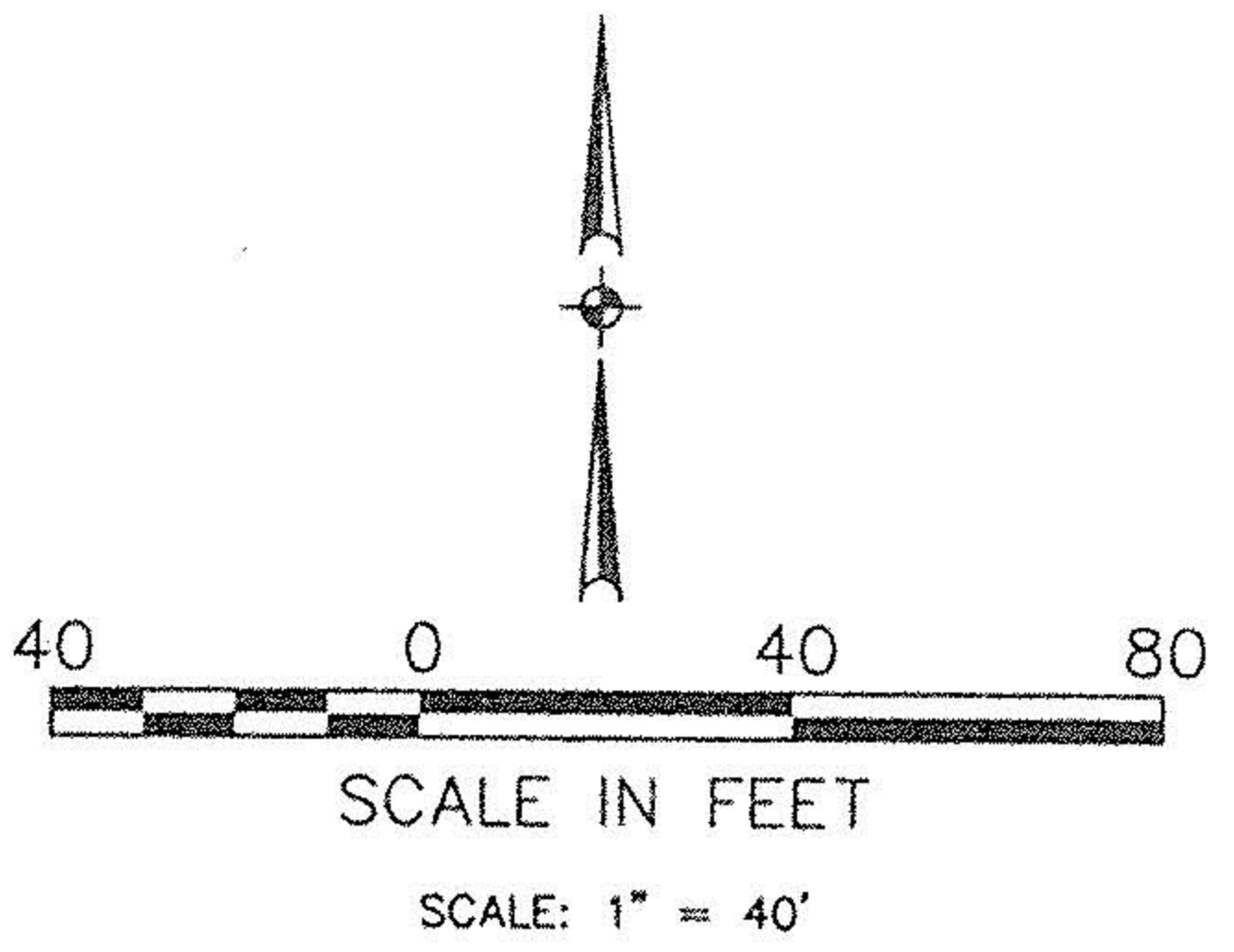
SURVEY MAP

JOB NO. 97245-3

OF PART OF
ORIGINAL AVON TOWNSHIP SECTION NO. 19
CITY OF AVON LAKE COUNTY OF LORAIN STATE OF OHIO

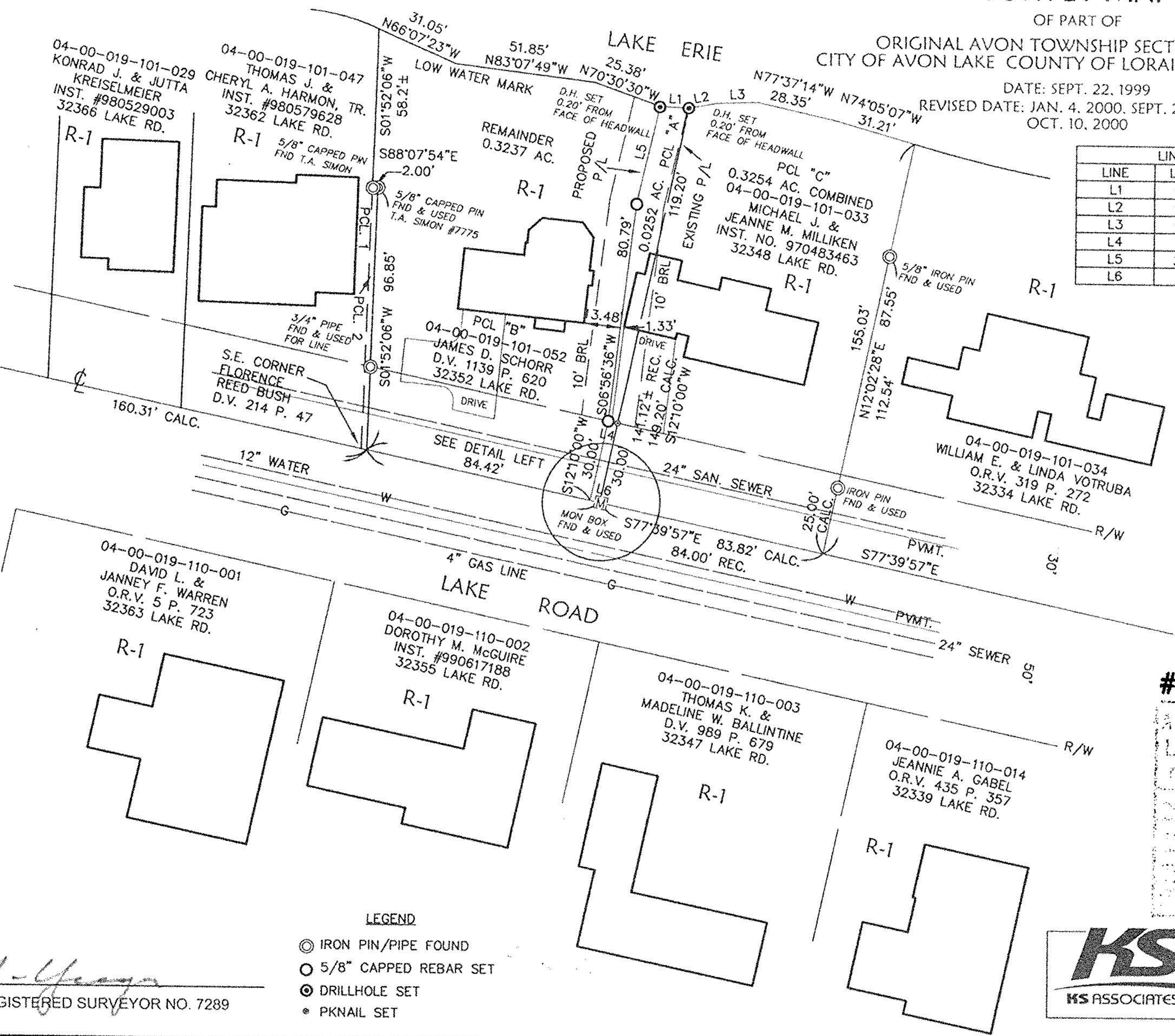
DATE: SEPT. 22, 1999
REVISED DATE: JAN. 4, 2000, SEPT. 21, 2000,
OCT. 10, 2000

LINE TABLE		
LINE	LENGTH	BEARING
L1	10.63'	N87°20'00"W
L2	10.55'	S79°29'22"W
L3	15.08'	S88°05'17"W
L4	3.58'	N77°50'00"E
L5	36.99'	S12°52'20"W
L6	3.58'	S77°50'00"E



Mark A. Yeager
MARK A. YEAGER, REGISTERED SURVEYOR NO. 7289

- LEGEND
- ⊙ IRON PIN/PIPE FOUND
 - 5/8" CAPPED REBAR SET
 - ⊕ DRILLHOLE SET
 - PKNAIL SET



#00625
APPROVED
LORAIN CO.
MAP DEPT.
DATE 12/6/00
CASE 4-00-019-B
BY T. SPILLMAN
#00625

