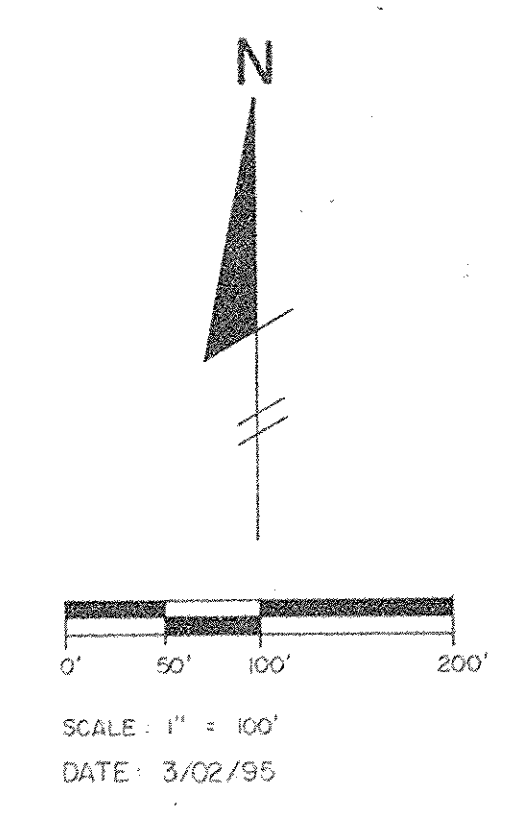
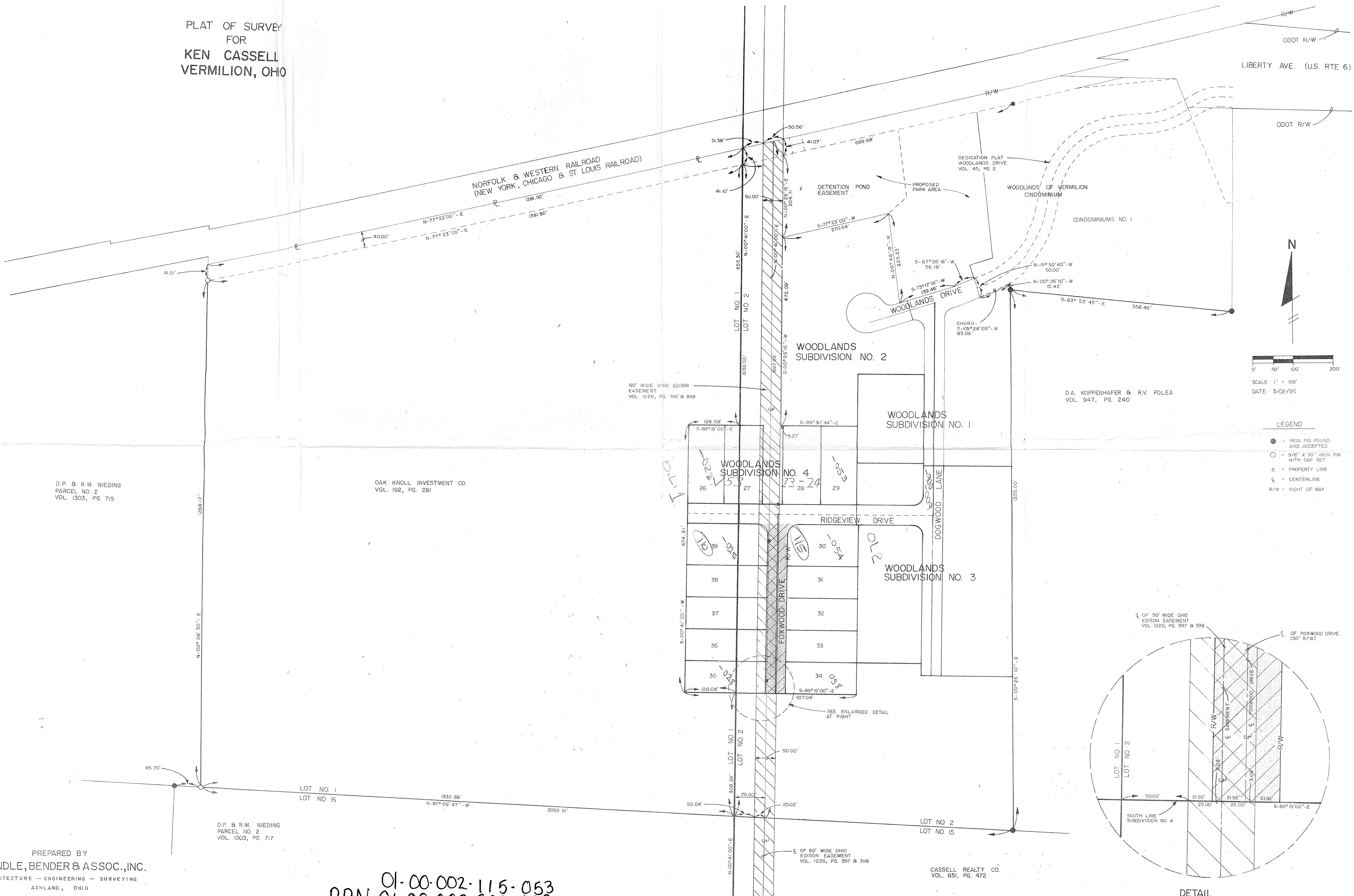
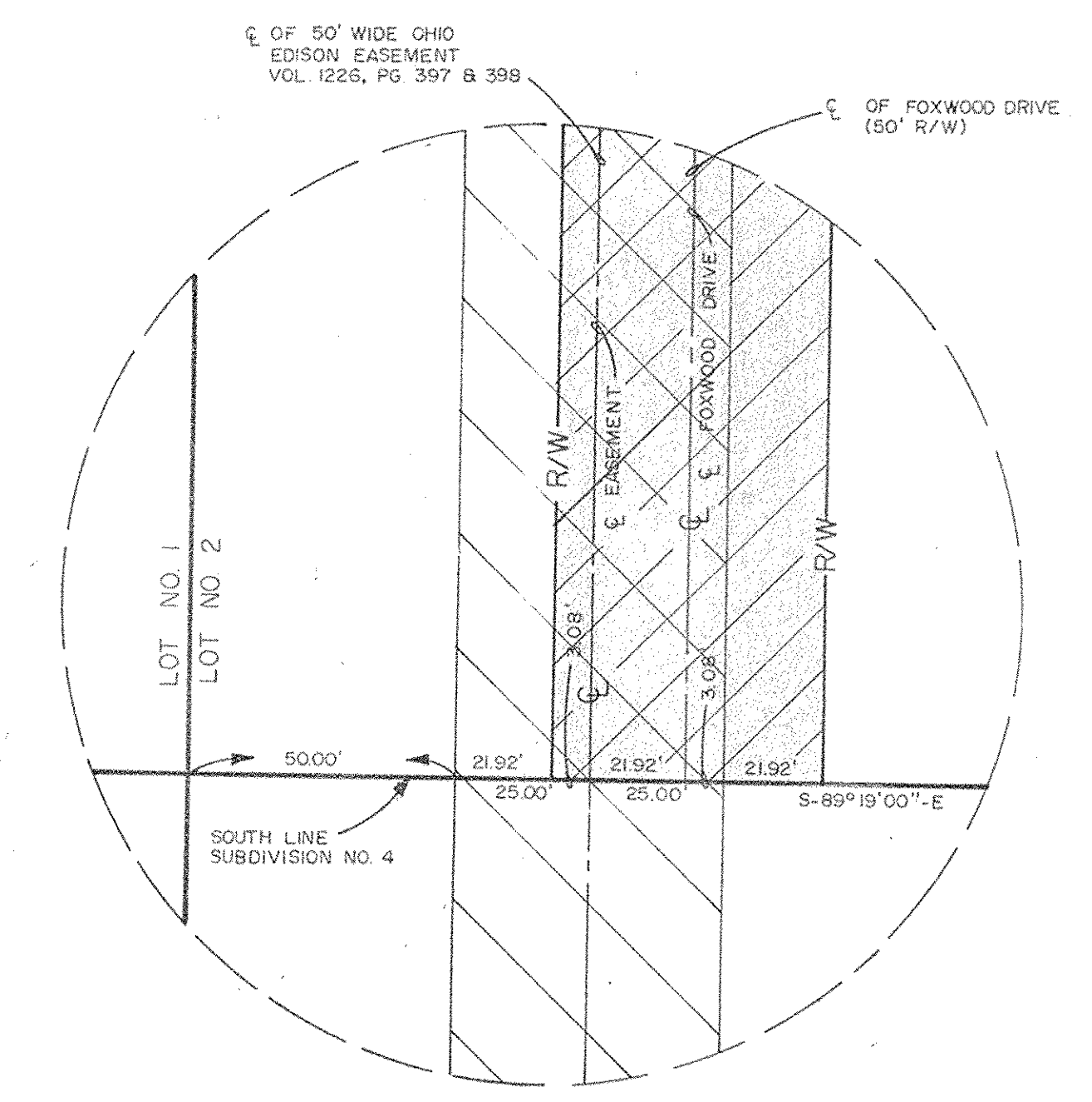


PLAT OF SURVEY
FOR
KEN CASSELL
VERMILION, OHIO



- LEGEND
- = IRON PIN FOUND AND ACCEPTED
 - = 5/8" X 20" IRON PIN WITH CAP SET
 - ⊥ = PROPERTY LINE
 - ⊕ = CENTERLINE
 - R/W = RIGHT OF WAY



DETAIL
N.T.S.

PREPARED BY
GRINDLE, BENDER & ASSOC., INC.
ARCHITECTURE - ENGINEERING - SURVEYING
ASHLAND, OHIO

P.P.N. 01-00-002-115-053
01-00-002-900-009

CASSELL REALTY CO.
VOL. 651, PG. 472

D.P. & R.M. NIEDING
PARCEL NO. 2
VOL. 1303, PG. 715

OAK KNOLL INVESTMENT CO.
VOL. 192, PG. 281

D.P. & R.M. NIEDING
PARCEL NO. 2
VOL. 1303, PG. 717

50' WIDE OHIO EDISON
EASEMENT
VOL. 1225, PG. 397 & 398

D.A. KOPPENHAFFER & R.V. FOLEA
VOL. 947, PG. 240