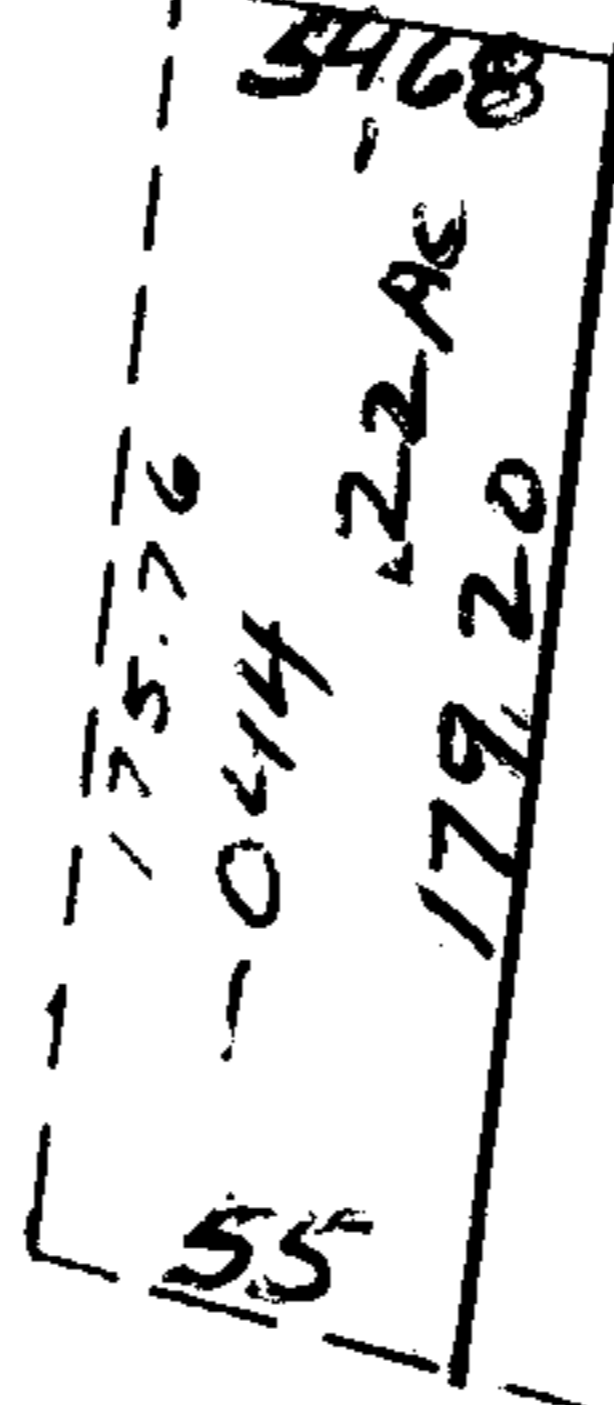
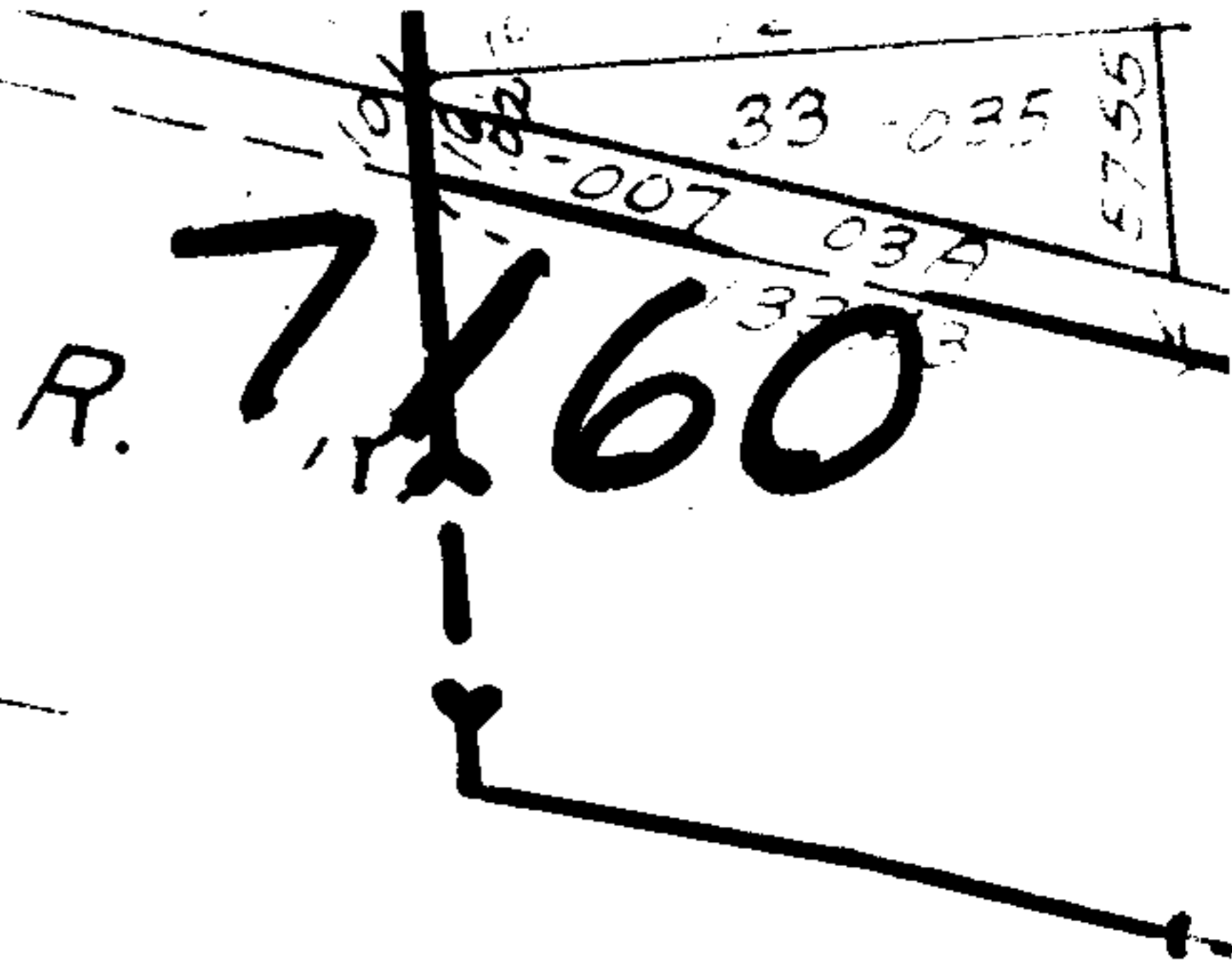


7160



045-
-038
-1.77A.
1.55AC

115

043
~~041~~

OK

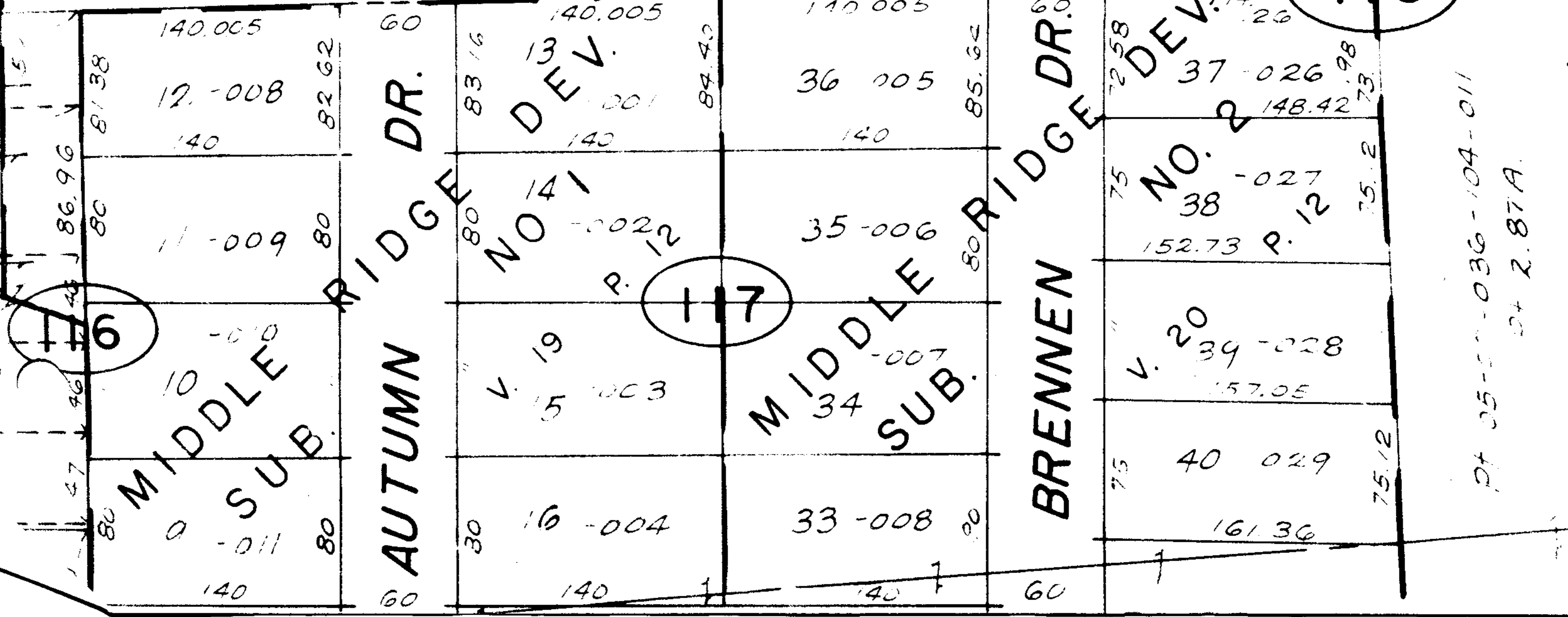
7-30-81 h.k.

7160
APPROVED
LORAIN CO.
MAP DEPT.
DATE 7-3-73
5-00-037A
BY L.W. Hall

AVE.
6730 51.86

256.79
-035
267.43
-042
AKA → 42 AC
281.24

424.08 -024
497.25 .53A.



PT 05-00-036-104-011
04 2.87A.