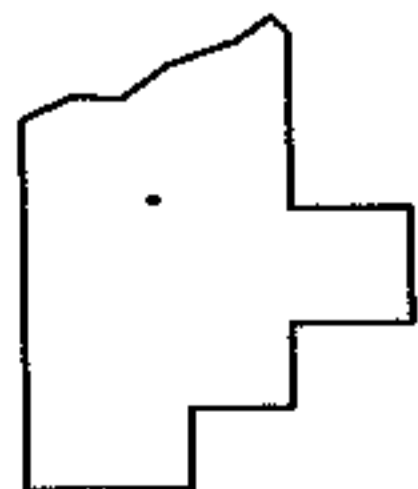
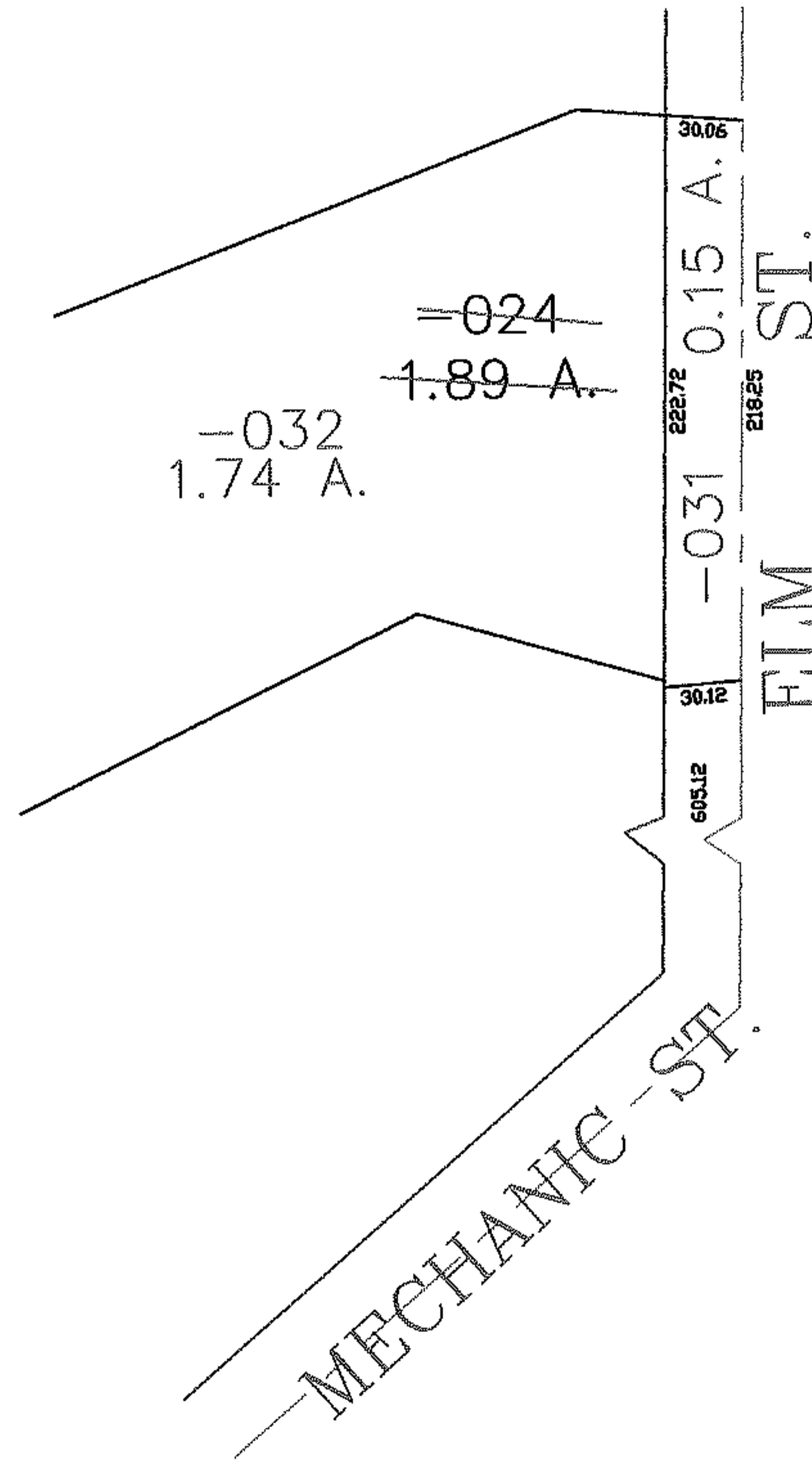
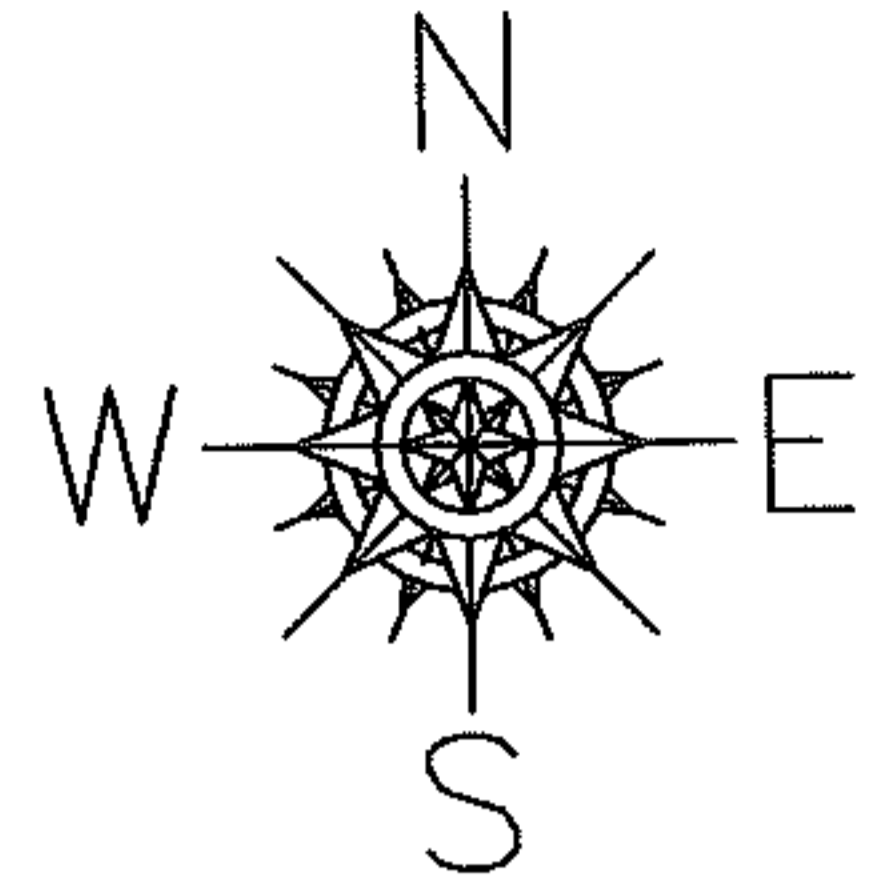


PARENT PARCEL: 11-00-081-105-024

CHILD PARCEL: 11-00-081-105-031, -032

STARTING POINT: CENTERLINE OF ELM ST. & MECHANIC ST.

NO. 00086



SPLITS/DEEDS PROCESSED

LORAIN COUNTY TAX MAP DEPARTMENT
226 MIDDLE AVE. ELYRIA, OHIO

SURVEYED BY: CHARLES P. UNTERREINER

CLOSURE: 0.00 : 10.000

MAP PAGE(S): 11-00-081

APPROVED BY: JAH DATE: 4-21-04

SCALE: 1"= 100 PRIOR INSTRUMENT: DV 526/879