

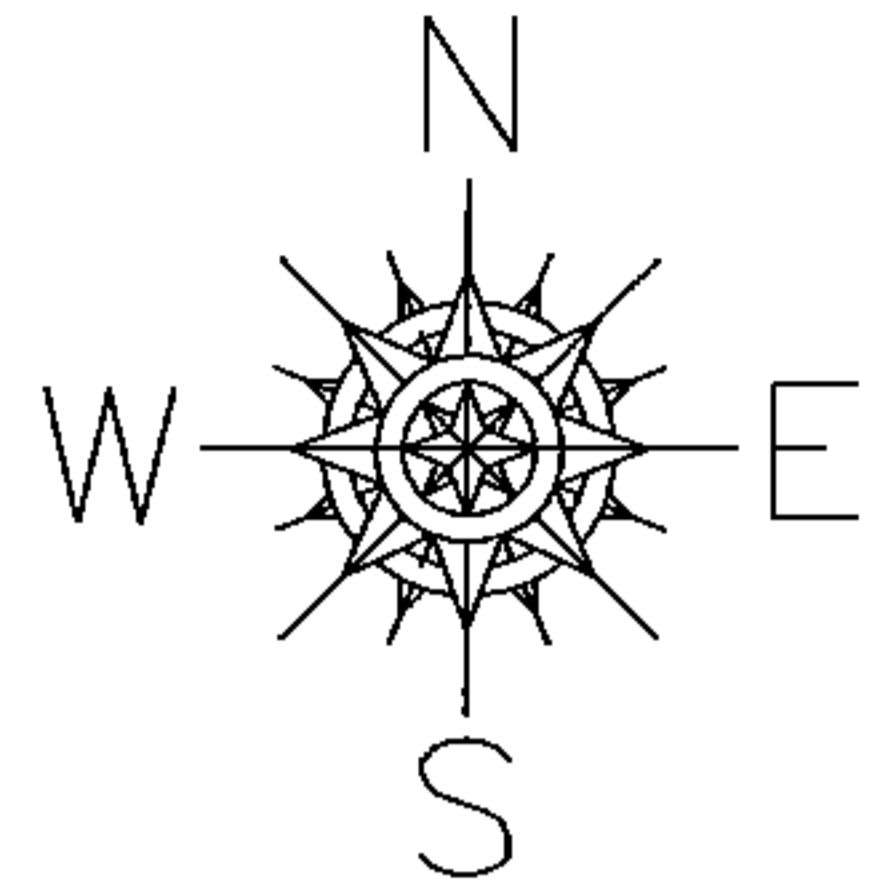
PARENT PARCEL: ADD TO DUP LAND LEASE

CHILD PARCEL: 04-00-018-640-003, -004, 005, 006, 007

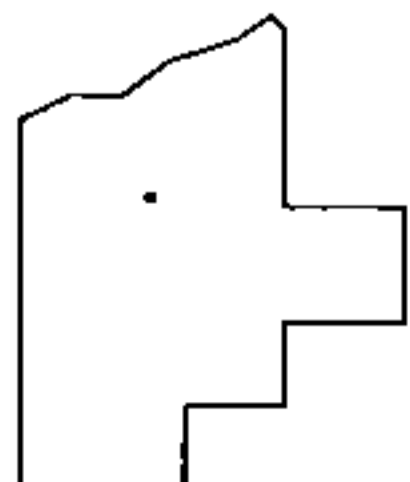
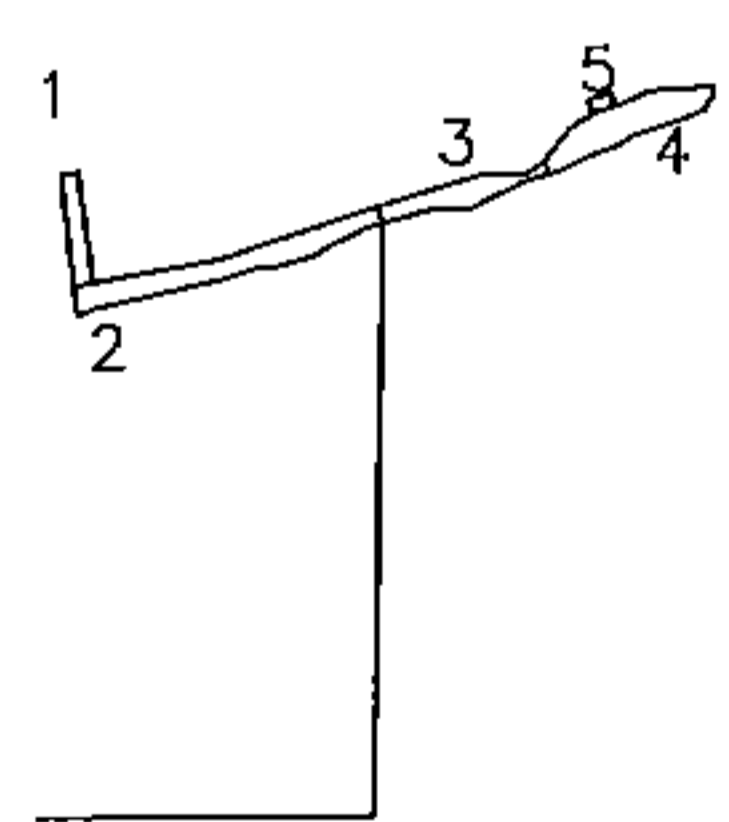
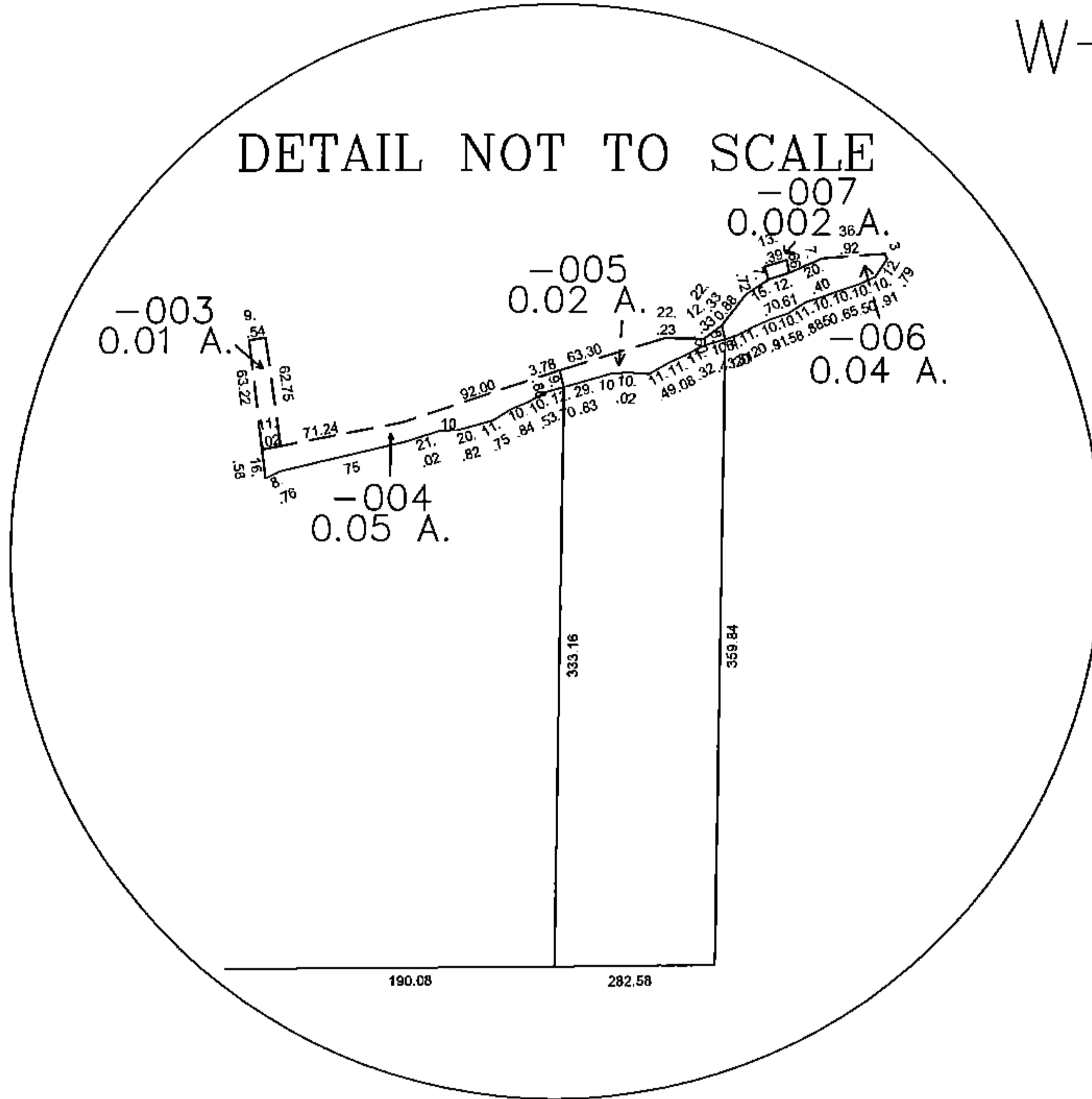
STARTING POINT: CENTERLINE OF LAKE RD & AVON BELDEN RD

15-03356

LAND LEASE



DETAIL NOT TO SCALE



SPLITS/DEEDS PROCESSED
 LORAIN COUNTY TAX MAP DEPARTMENT
 226 MIDDLE AVE. ELYRIA, OHIO

SURVEYED BY: AMY KELLY
 CLOSURE: 0.00 : 10,000
 MAP PAGE(S): 04-00-018-A
 APPROVED BY: JAH DATE: 3/18/2015
 SCALE: 1" = 300 PRIOR INSTRUMENT: N/A