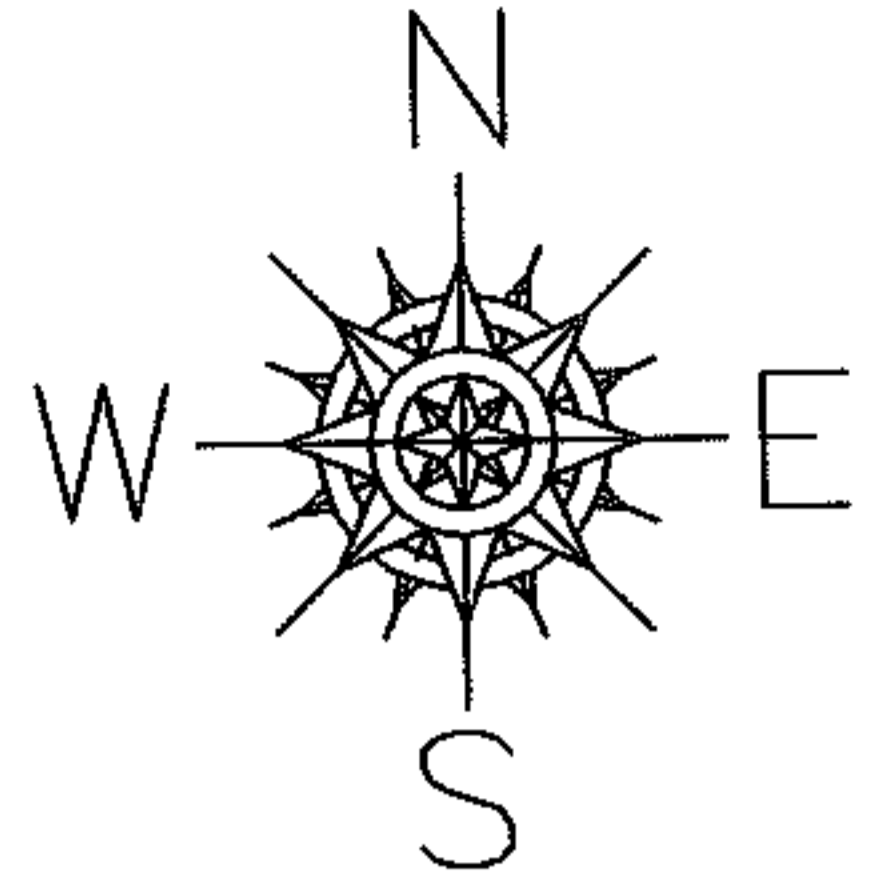


PARENT PARCEL: 03-00-038-125-029

CHILD PARCEL: 03-00-038-125-081, -082

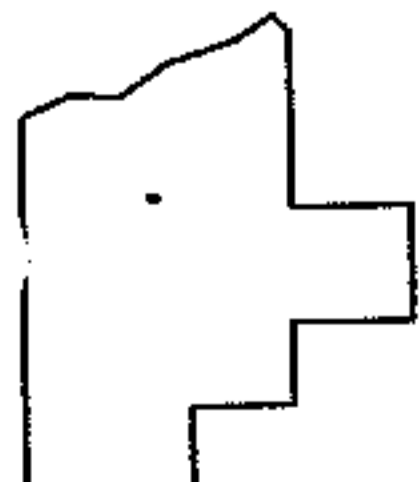
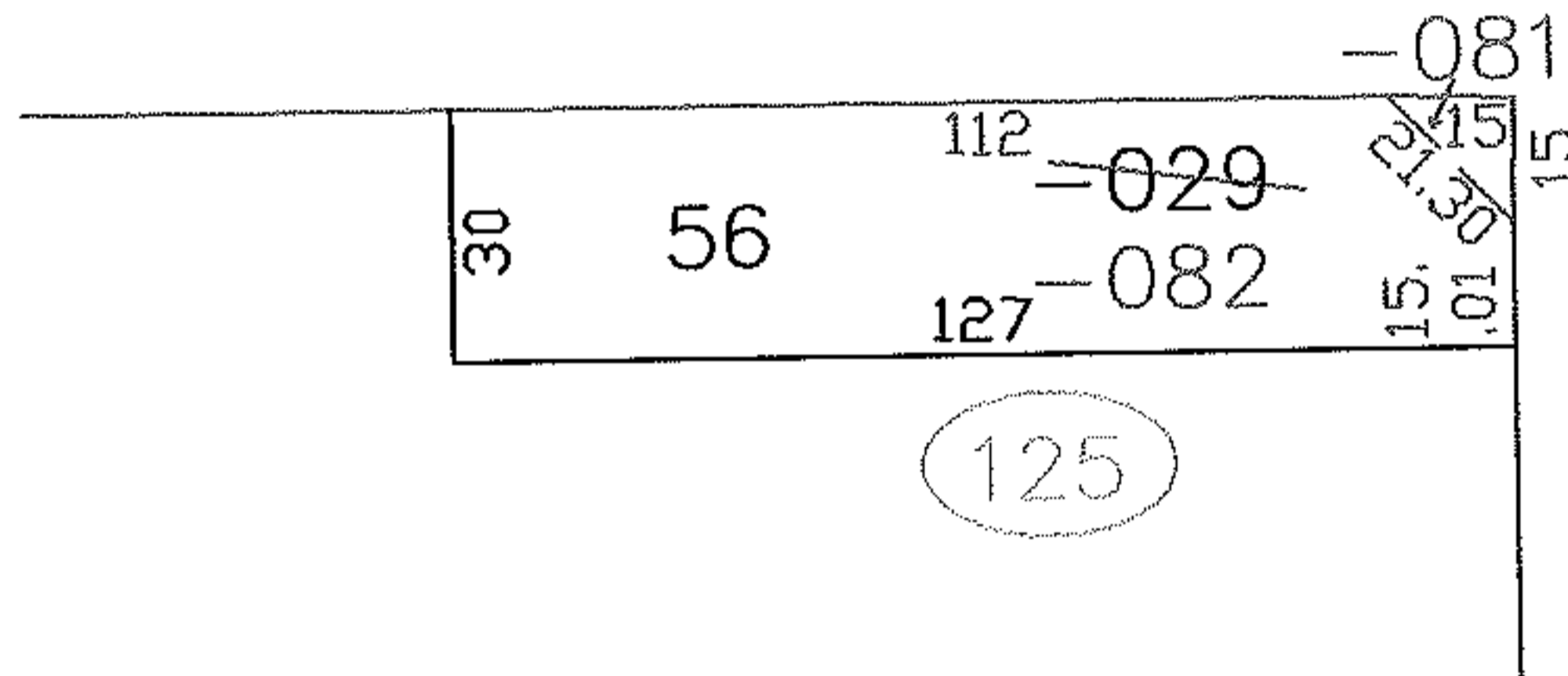
STARTING POINT: SIDELINE OF FERNDALE AVE & ROBINWOOD AVE.

NO. 00061



FERNDALE AVE.

ROBINWOOD AVE.



SPLITS/DEEDS PROCESSED
 LORAIN COUNTY TAX MAP DEPARTMENT
 226 MIDDLE AVE. ELYRIA, OHIO

SURVEYED BY: ROBERT J. MCAULEY
 CLOSURE: 0.00 : 10.000
 MAP PAGE(S): 03-00-038-B
 APPROVED BY: JAH DATE: 3-25-03
 SCALE: 1" = 50' PRIOR INSTRUMENT: DV 1191/767