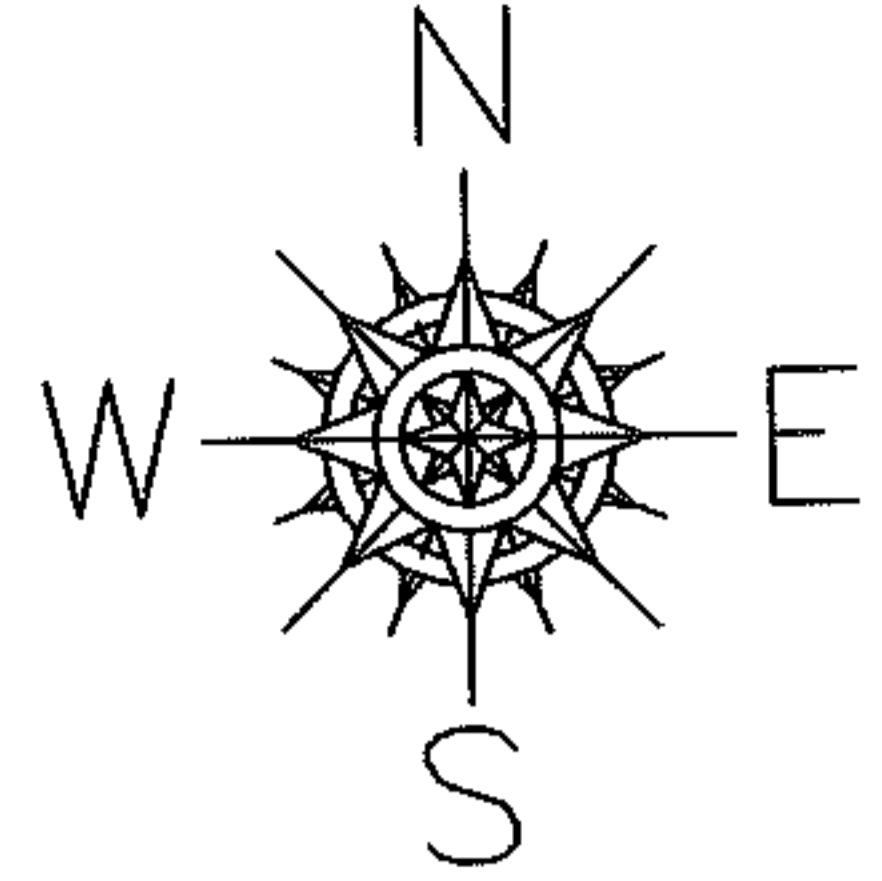


PARENT PARCEL: 03-00-039-122-030

CHILD PARCEL: 03-00-039-122-090, -091

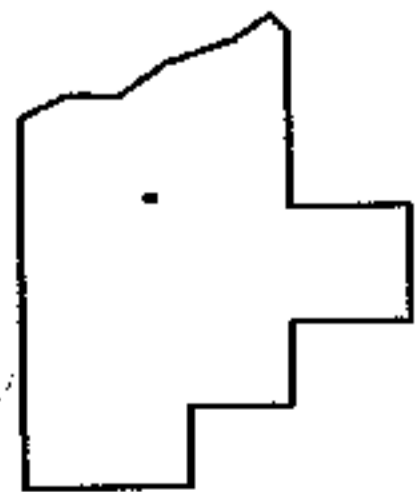
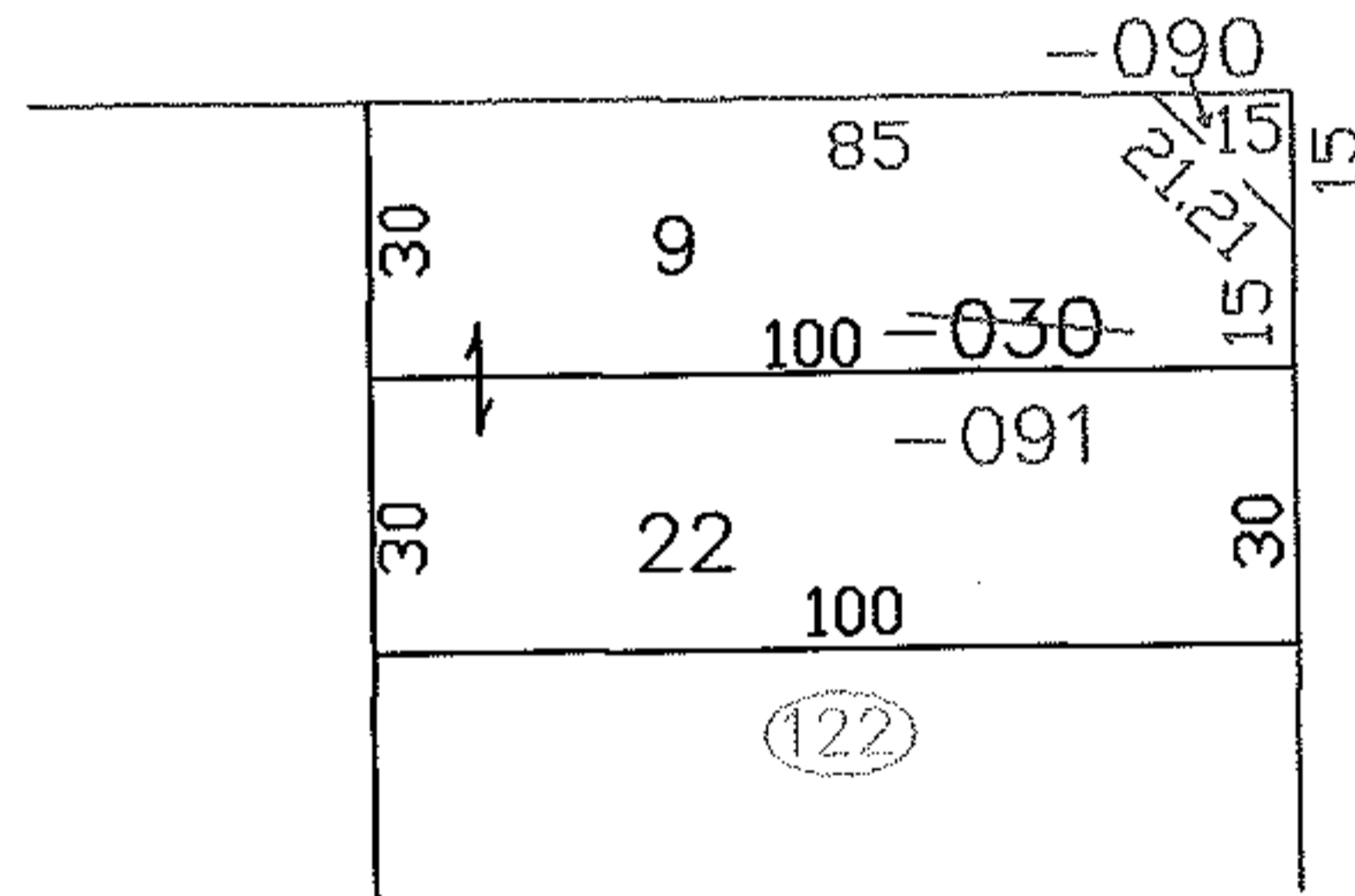
STARTING POINT: SIDELINE OF FERNDALE AVE. & HOLLYWOOD AVE.

NO. 00039



FERNDALE AVE.

HOLLYWOOD AVE.



**SPLITS/DEEDS PROCESSED**  
LORAIN COUNTY TAX MAP DEPARTMENT  
226 MIDDLE AVE. ELYRIA, OHIO

SURVEYED BY: ROBERT J. MCAULEY  
CLOSURE: 0.00 : 10.000  
MAP PAGE(S): 3-00-039-B  
APPROVED BY: JAH DATE: 2-6-03  
SCALE: 1" = 50' PRIOR INSTRUMENT: 20020831733