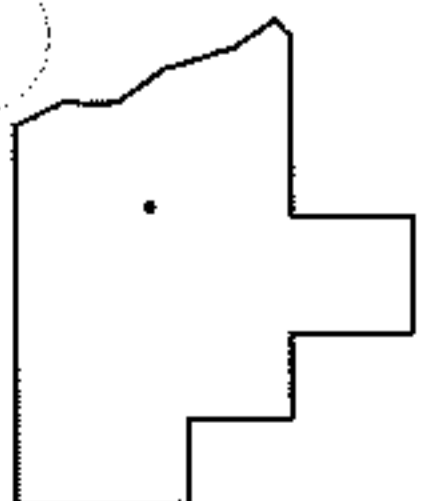
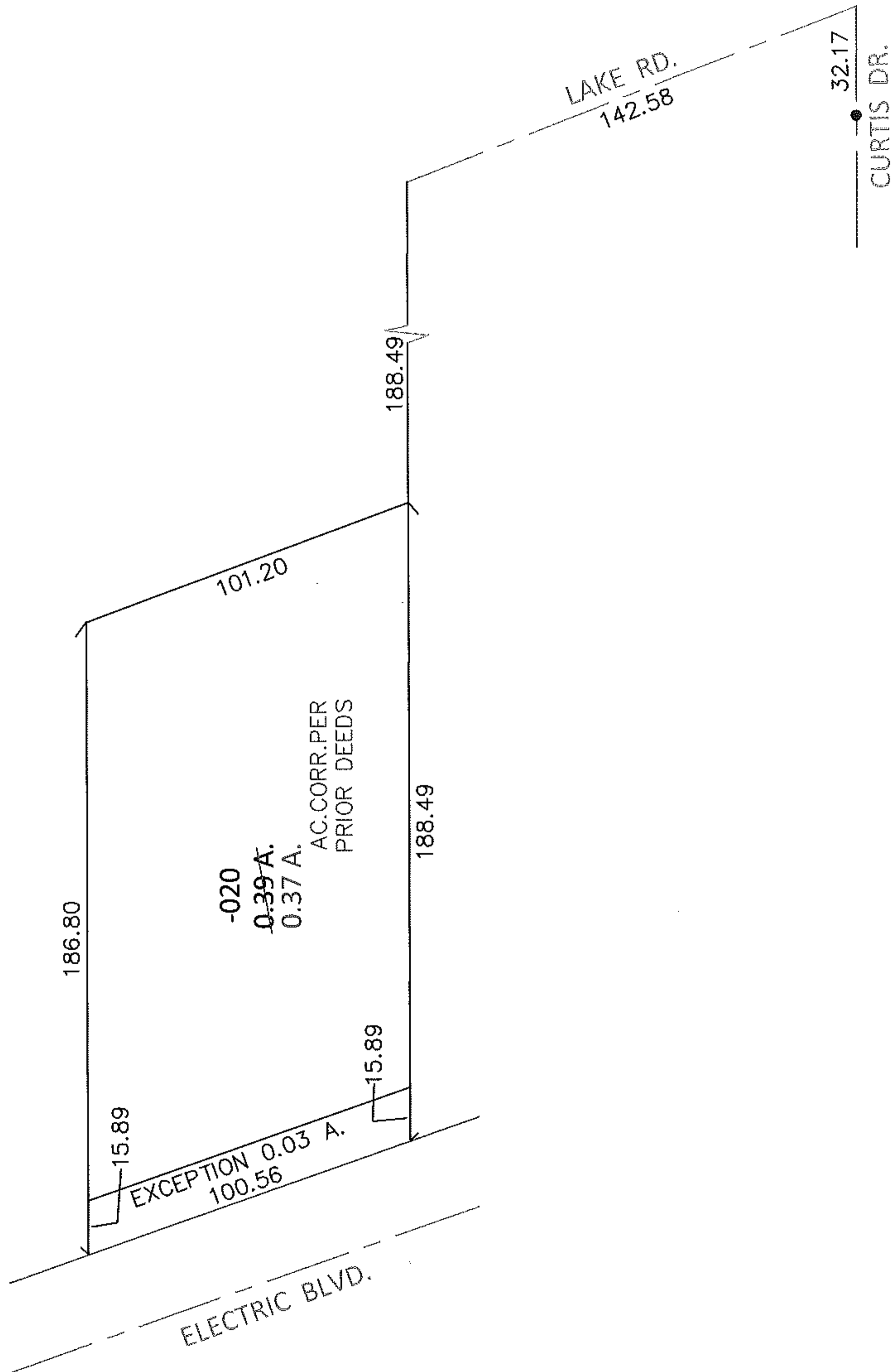
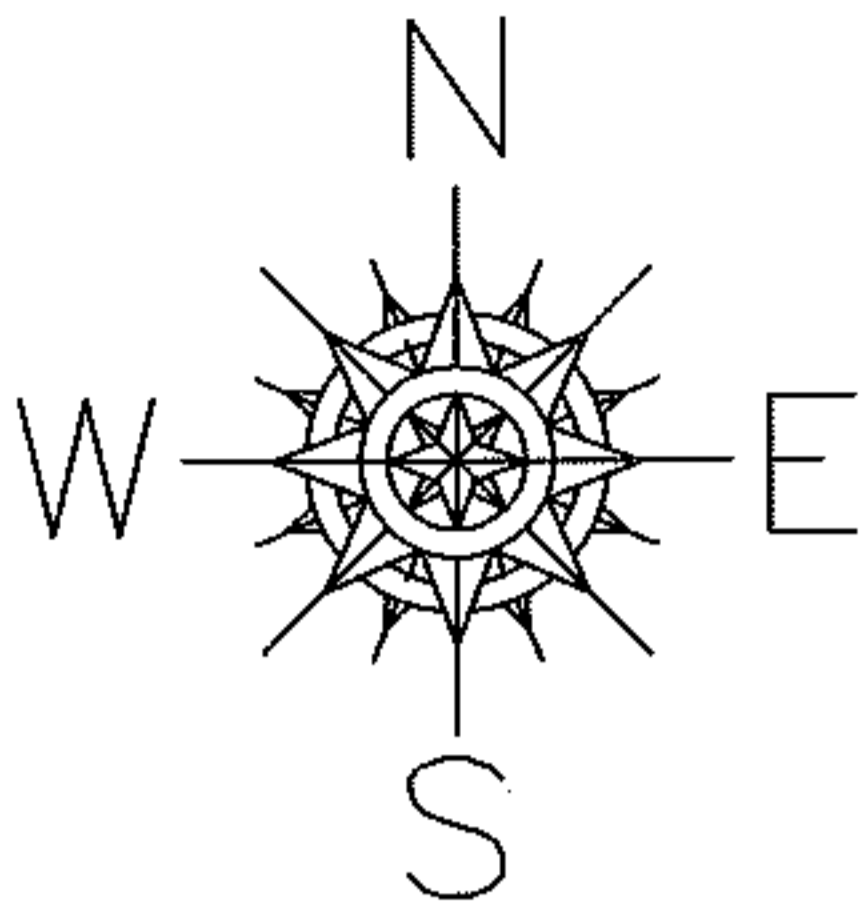


PARENT PARCEL: 04-00-007-106-020

CHILD PARCEL: \_\_\_\_\_

13-02741-A

STARTING POINT: INTERSECTION OF C/L OF LAKE RD. AND C/L OF CURTIS DR.



**SPLITS/DEEDS PROCESSED**

LORAIN COUNTY TAX MAP DEPARTMENT  
226 MIDDLE AVE. ELYRIA, OHIO

SURVEYED BY: GARY E. PENFOUND

CLOSURE: .01:10,000

MAP PAGE(S): 4-00-007-B

APPROVED BY: RRM DATE: 6-4-13

SCALE: 1"= 50' PRIOR INST.: 20060165739