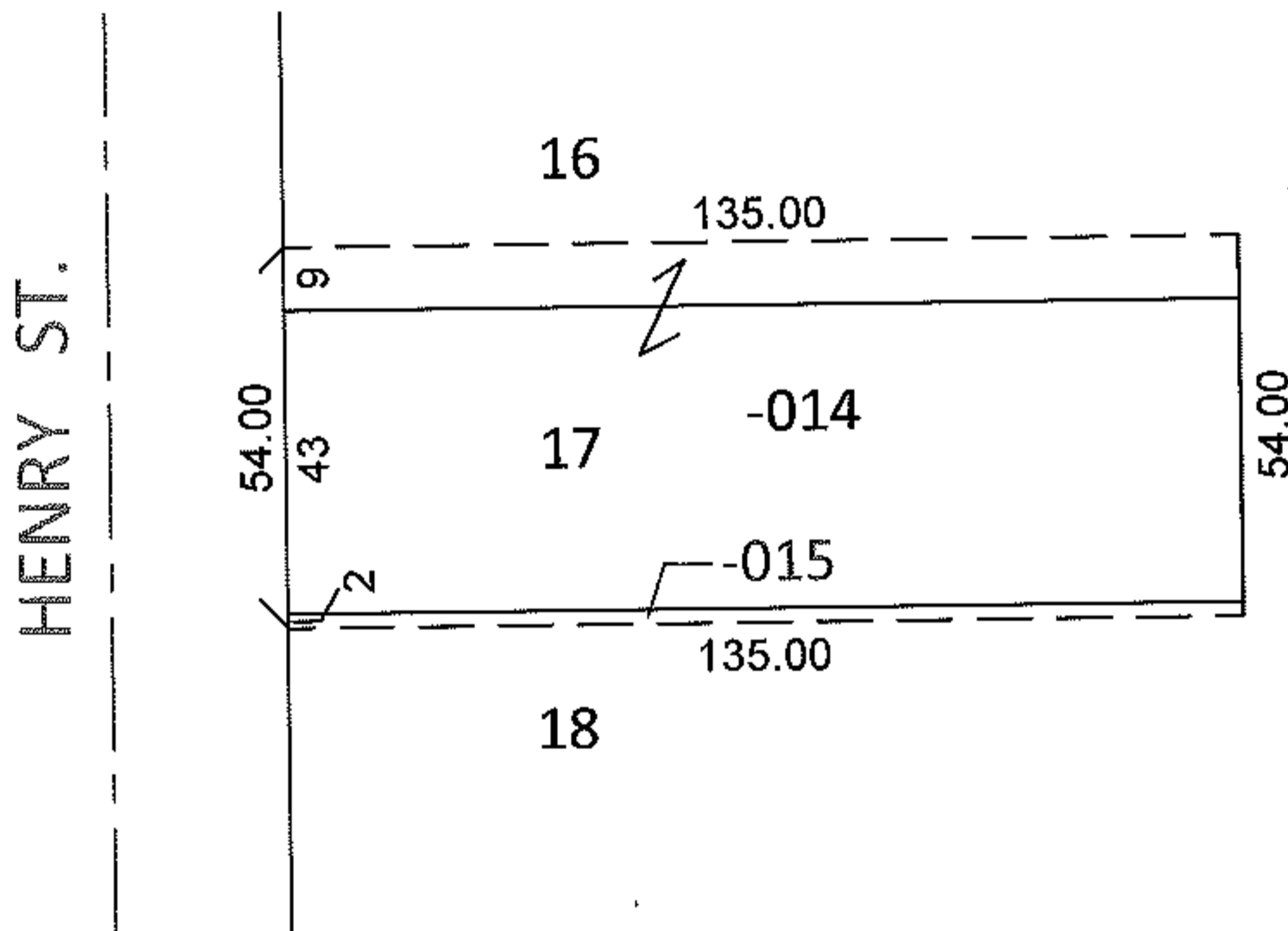
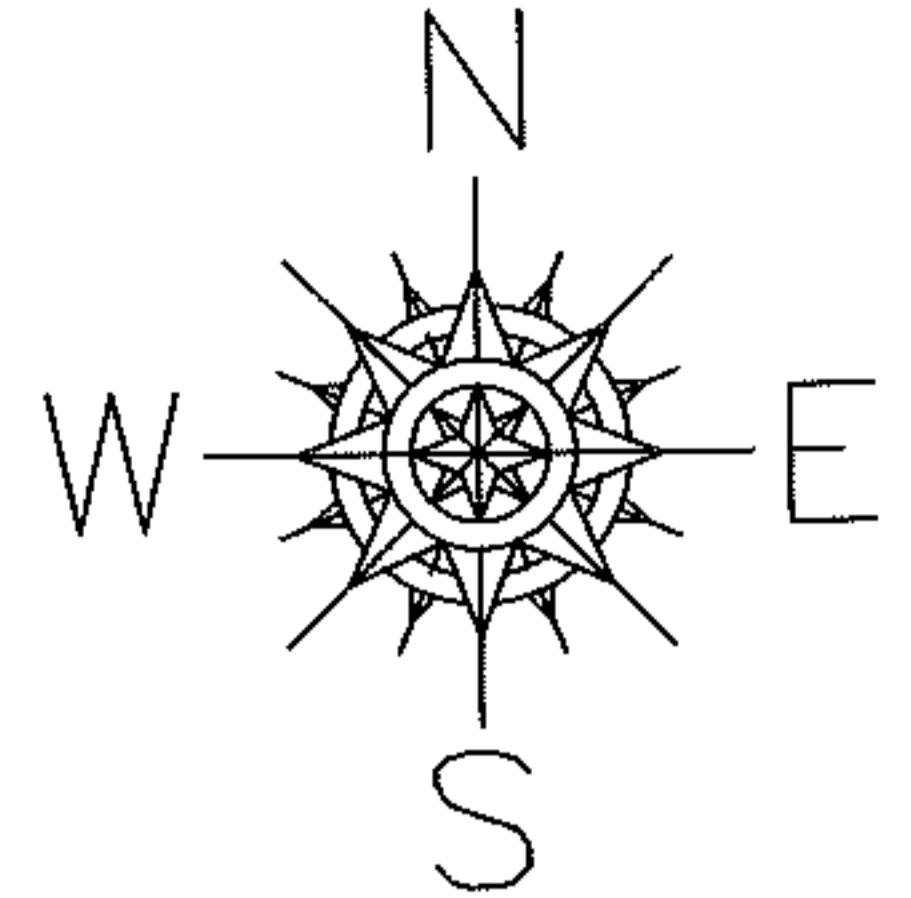


RASTER

PARENT PARCEL: ADD TO DUP.  
CHILD PARCEL: 06-25-006-108-015  
STARTING POINT: PART OF S/L 16, 18 AND ALL OF 17 IN SUNSET PARK ALLOT.(VOL.10 PG.9)

11-02389-C

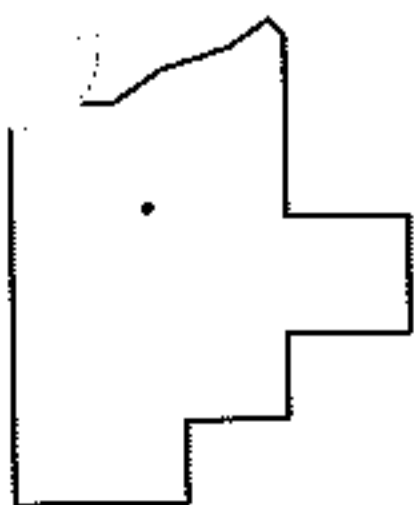


ADD TO DUPLICATE

06-25-006-108-015

2 X 135

STILL ACTIVE PARCEL IN REGISTER THAT WAS NOT ON MAP



SPLITS/DEEDS PROCESSED

LORAIN COUNTY TAX MAP DEPARTMENT  
226 MIDDLE AVE. ELYRIA, OHIO

SURVEYED BY: N/A  
CLOSURE: N/A  
MAP PAGE(S): 6-123  
APPROVED BY: RRM DATE: 11-10-11  
SCALE: 1"= 50' PRIOR INST.: OR 196/206