

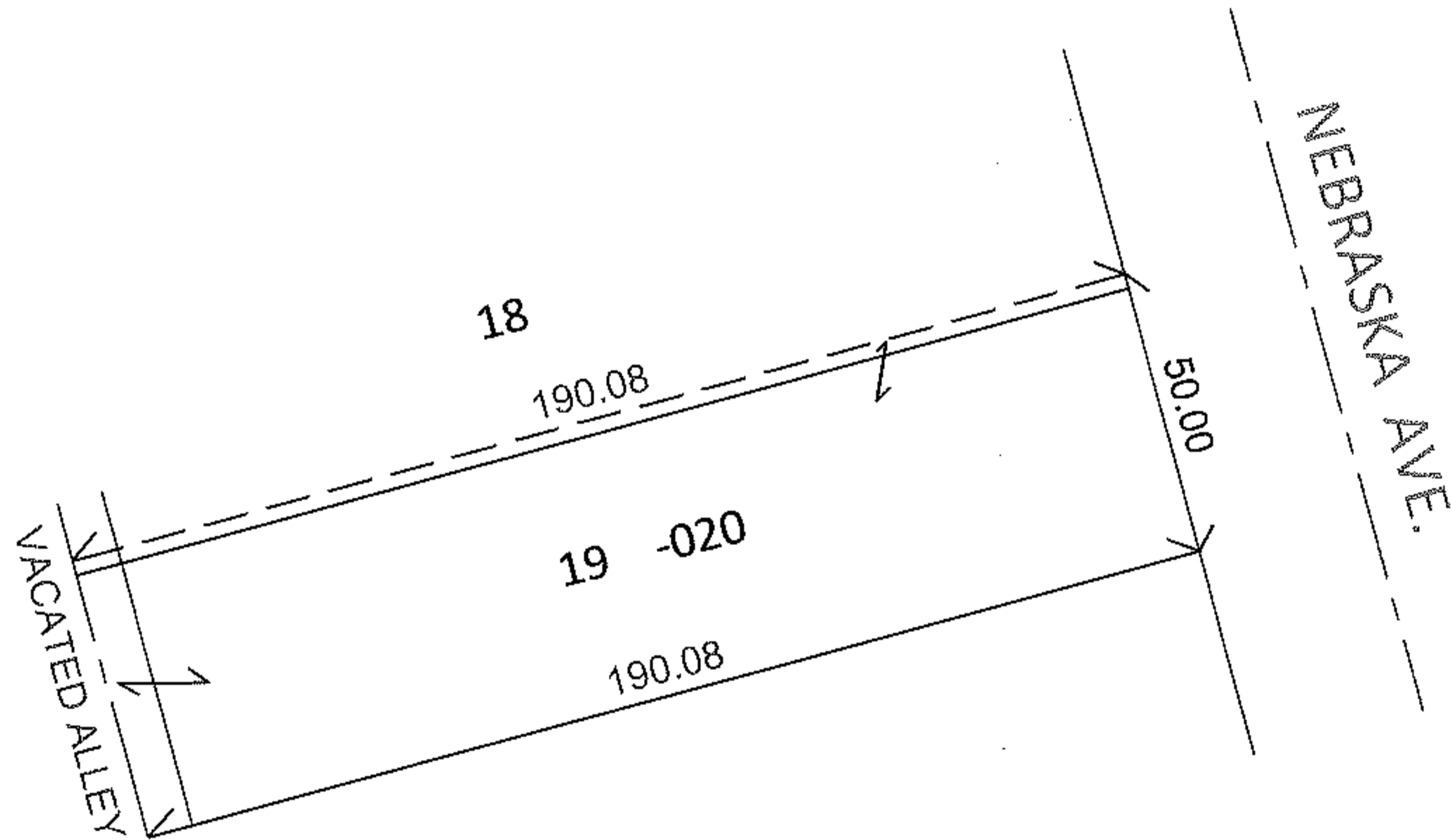
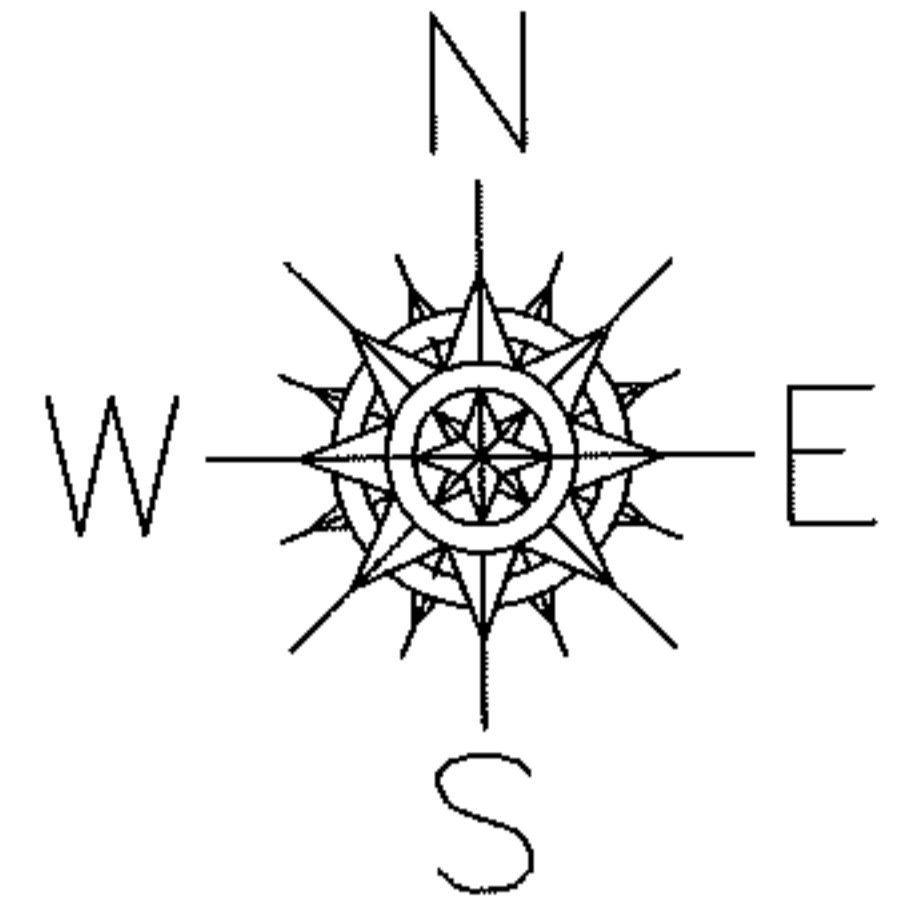
RASTER

PARENT PARCEL: 03-00-048-102-020

CHILD PARCEL: _____

STARTING POINT: S/L'S 18 AND 19 OF WALLACE ADD. (VOL.8 PG.53)

11-02316-C



DEPTH CORRECTION

03-00-048-102-020

190.08

50 X 194

PER PRIOR DEEDS

SPLITS/DEEDS PROCESSED

LORAIN COUNTY TAX MAP DEPARTMENT
226 MIDDLE AVE. ELYRIA, OHIO

SURVEYED BY: N/A

CLOSURE: N/A

MAP PAGE(S): 3-00-048

APPROVED BY: RRM DATE: 6-29-11

SCALE: 1"= 50' PRIOR INST.: 20100346281