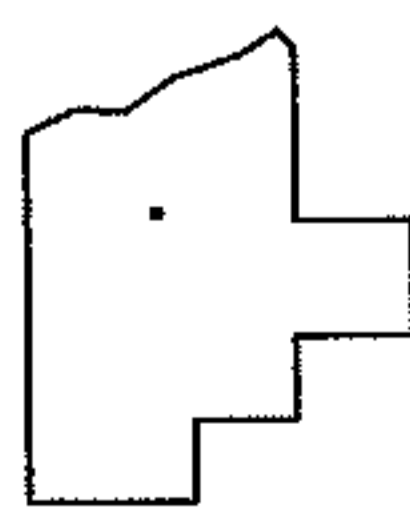
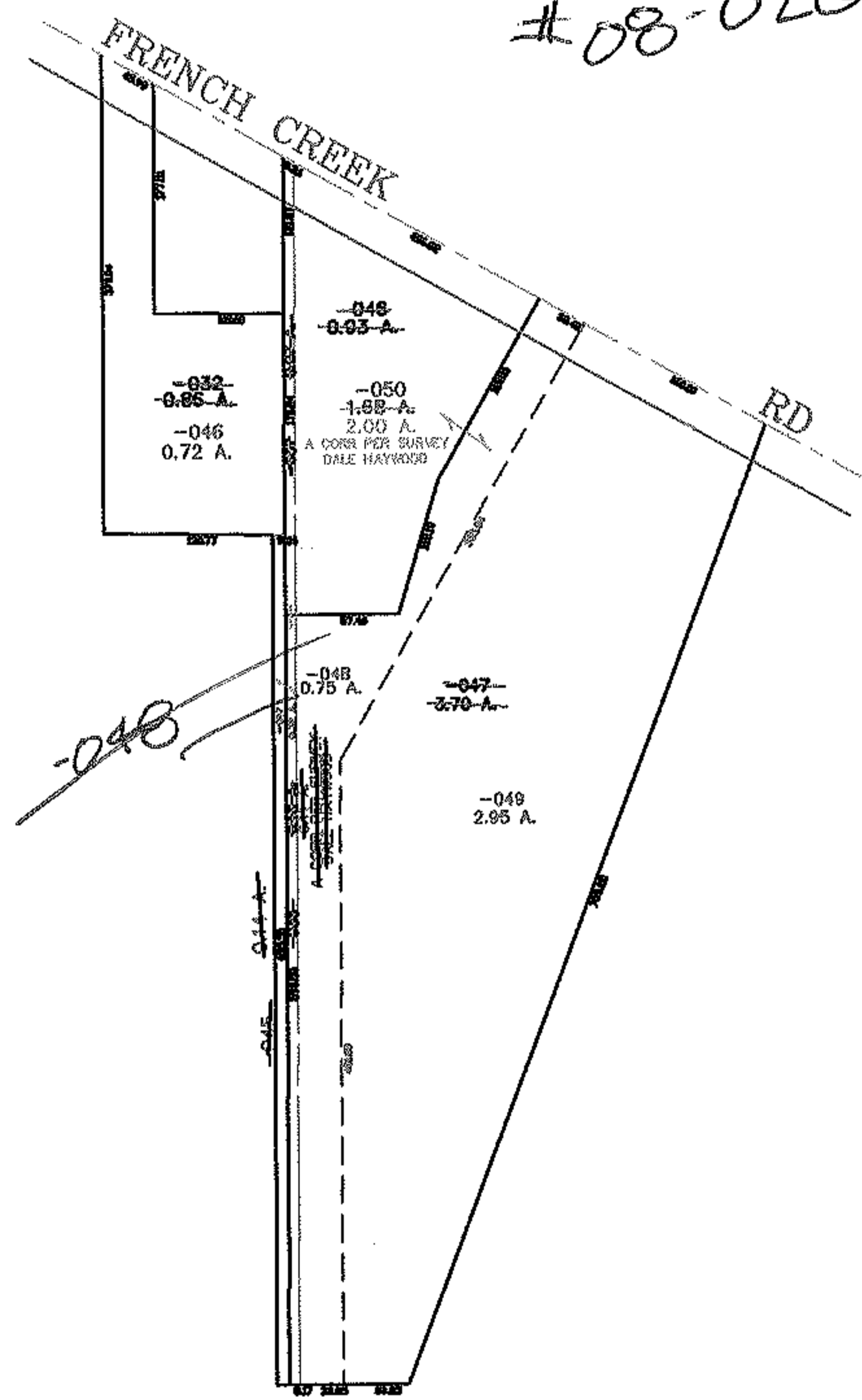
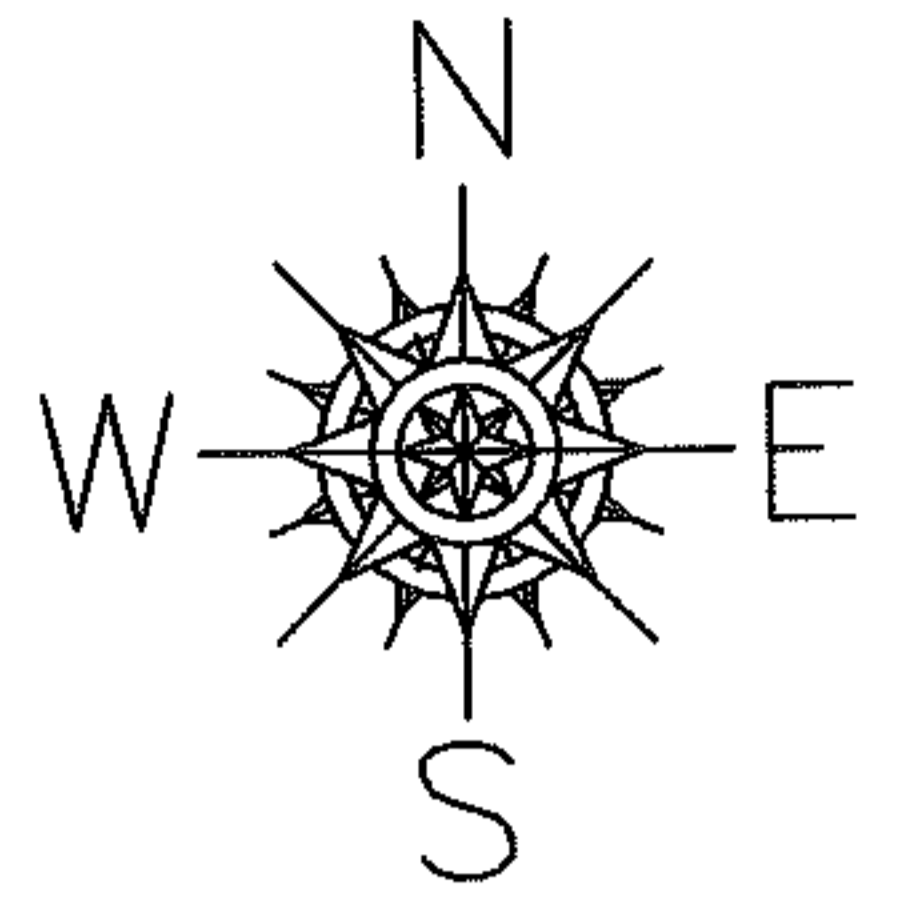


PARENT PARCEL: 04-00-010-114-047, -046 04-00-003-103-038, -037 -032
CHILD PARCEL: 04-00-010-114-048 THRU -050 04-00-003-103-045 THRU -047
STARTING POINT: CENTERLINE OF FRENCH CREEK RD & O.L. 10

06-02274

VOLD 8-7-07
SEE #08-02614



SPLITS/DEEDS PROCESSED
LORAIN COUNTY TAX MAP DEPARTMENT
226 MIDDLE AVE. ELYRIA, OHIO

SURVEYED BY: DALE HAYWOOD
CLOSURE: 0.00 : 10.000
MAP PAGE(S): 04-00-010-E 04-00-003-H
APPROVED BY: JAH DATE: 11-28-06
SCALE: 1" = 200 PRIOR INSTRUMENT: OR 1293/223