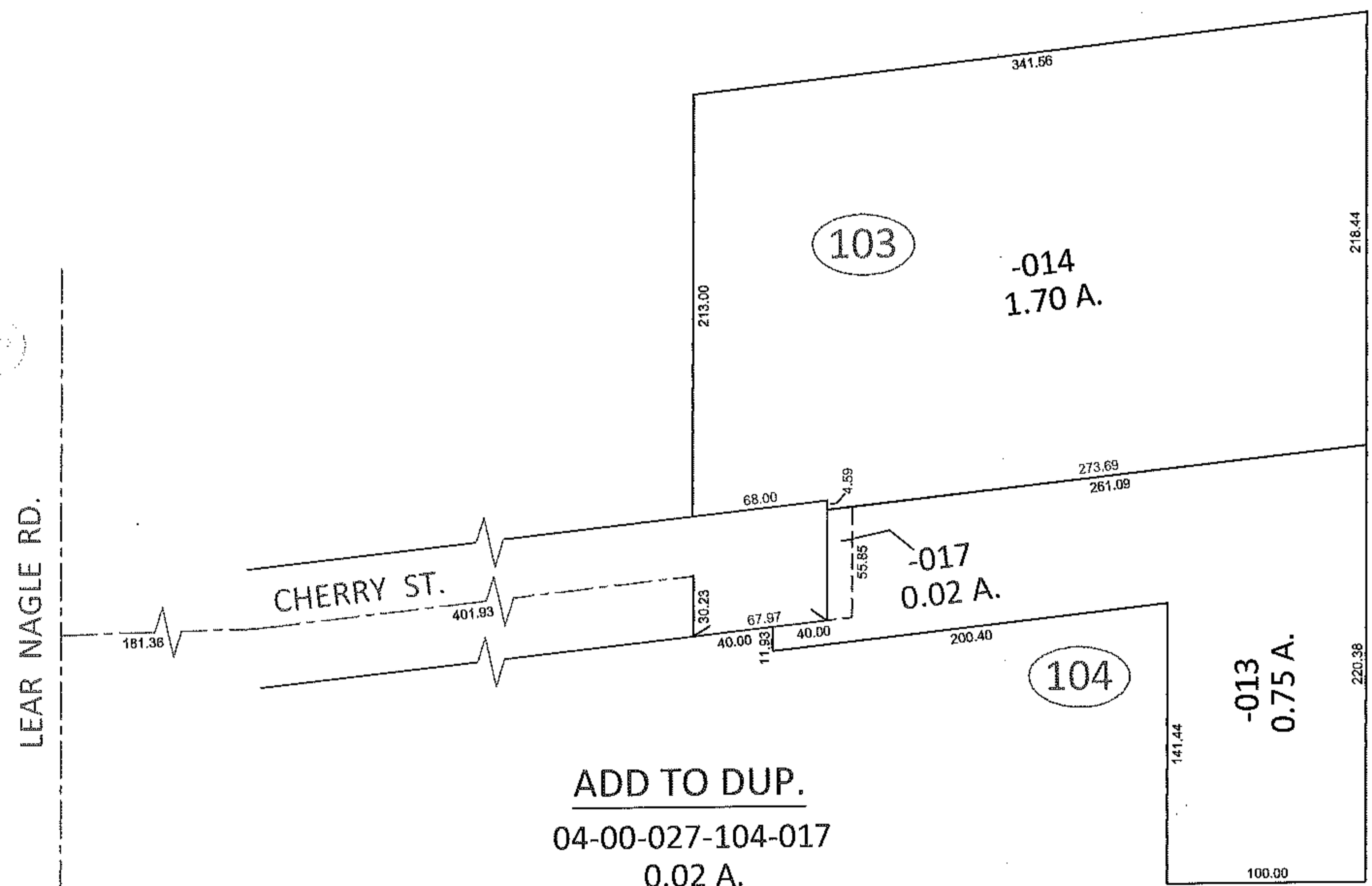
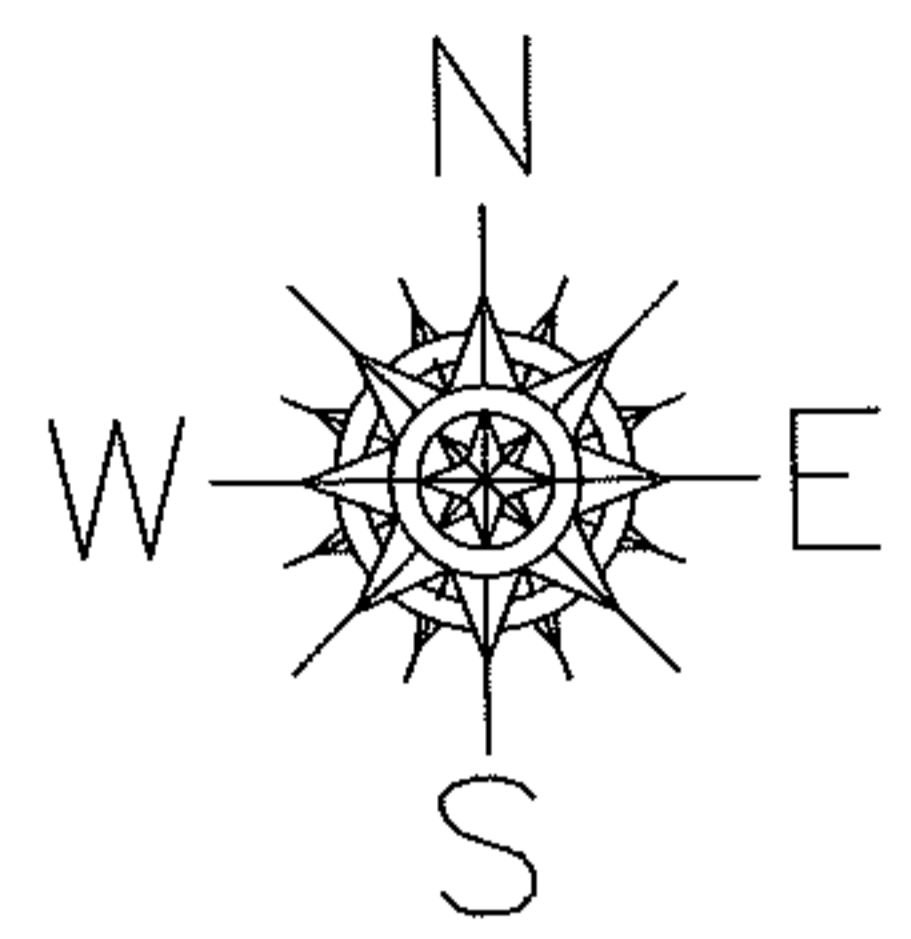
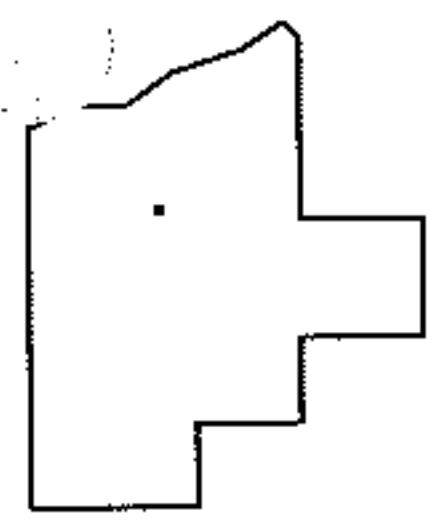


PARENT PARCEL: ADD TO DUP.  
CHILD PARCEL: 04-00-027-104-017  
STARTING POINT: INTERSECTION OF C/L OF LEAR NAGLE RD. AND C/L OF CHERRY ST.

11-02268-C



ADD TO DUP.  
04-00-027-104-017  
0.02 A.  
PER SURV. BY R. THOMPSON JR.  
& PRIOR DEEDS  
DV 1221/712  
20010726949



SPLITS/DEEDS PROCESSED  
LORAIN COUNTY TAX MAP DEPARTMENT  
226 MIDDLE AVE. ELYRIA, OHIO

SURVEYED BY: RICHARD A. THOMPSON JR.  
CLOSURE: .01:10,000  
MAP PAGE(S): 4-00-027-E  
APPROVED BY: RRM DATE: 3-24-11  
SCALE: 1"= 100 PRIOR INST.: SEE ABOVE