

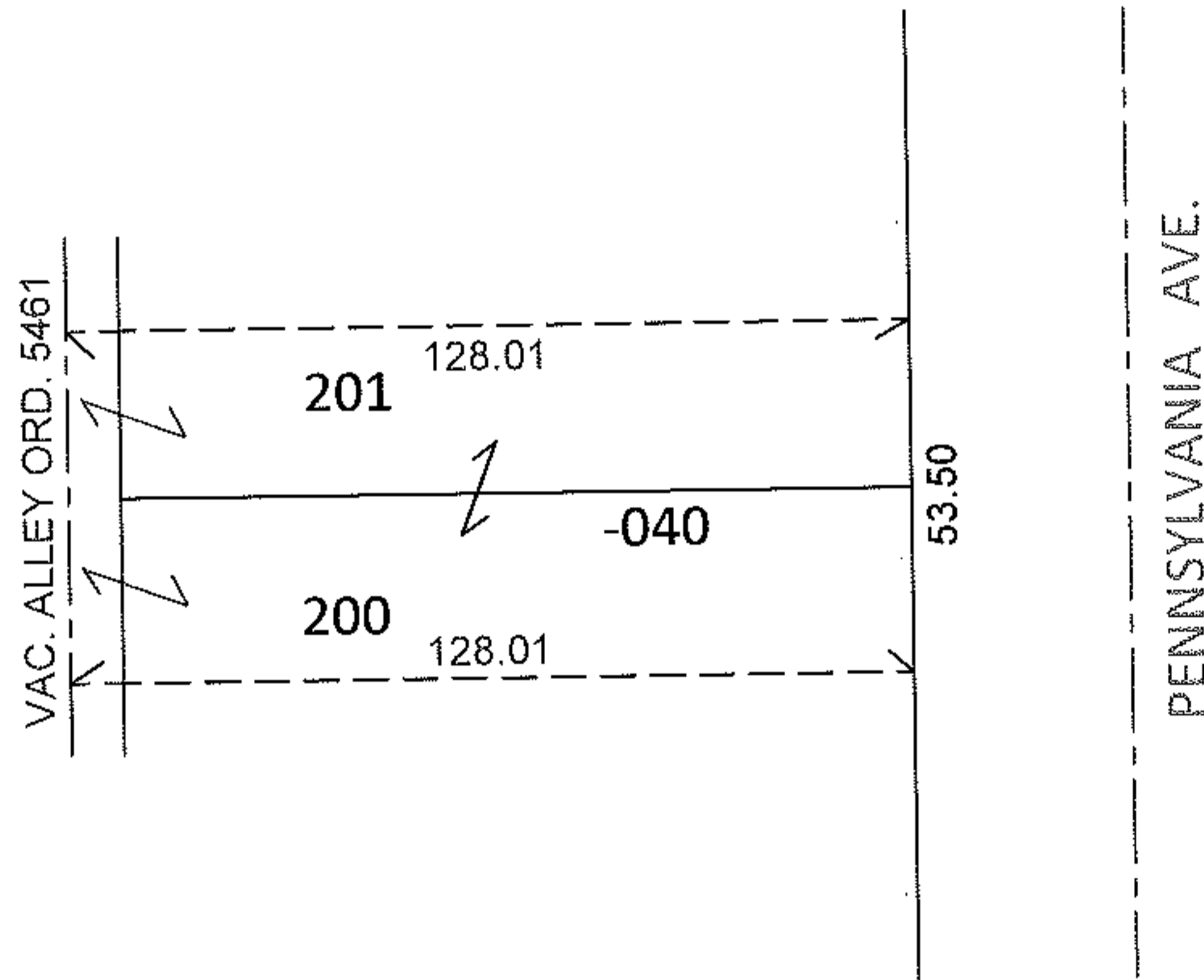
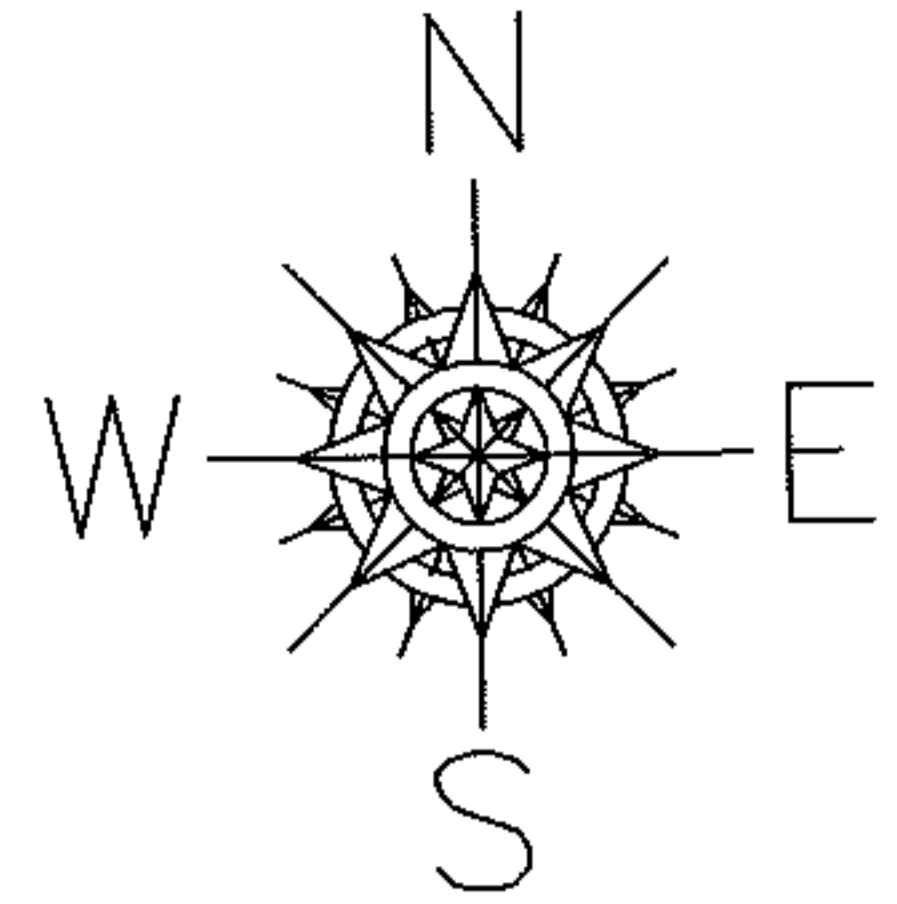
RASTER

PARENT PARCEL: 03-00-056-109-040

CHILD PARCEL:

STARTING POINT: PART OF S/L 200 & 201 LARKMOOR SUB. (VOL.9 PG.20)

11-02254-C



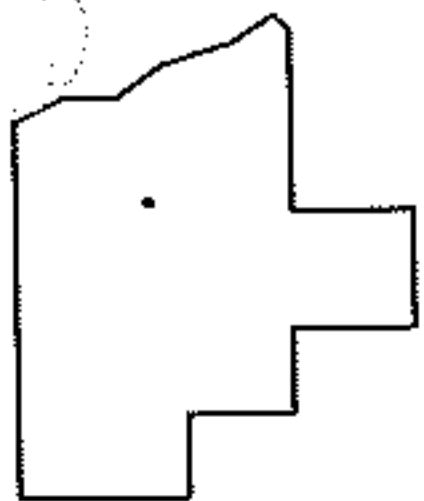
DEPTH CORRECTION

03-00-056-109-040

128.01

53.50 X 120

PER PRIOR DEEDS AND VAC. ORD. 5461



SPLITS/DEEDS PROCESSED

LORAIN COUNTY TAX MAP DEPARTMENT
226 MIDDLE AVE. ELYRIA, OHIO

SURVEYED BY: N/A

CLOSURE: N/A

MAP PAGE(S): 3-00-056-A

APPROVED BY: RRM DATE: 9-1-11

SCALE: 1"= 50' PRIOR INST.: OR 1212/518