

RASTER

PARENT PARCEL: 09-00-084-101-020 THRU -024, -060

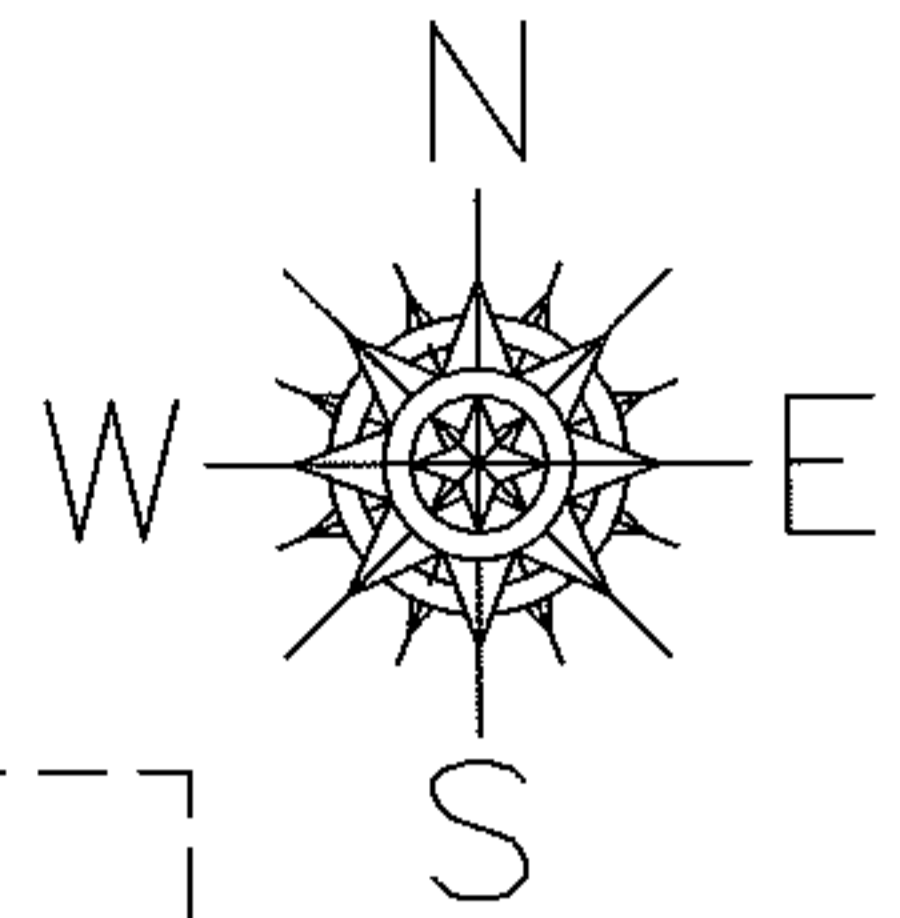
CHILD PARCEL: 09-00-084-101-020, -092 THRU -095, -060

STARTING POINT: INTERSECTION OF C/L OF COLLEGE ST. AND WEST LINE OF S/L 11

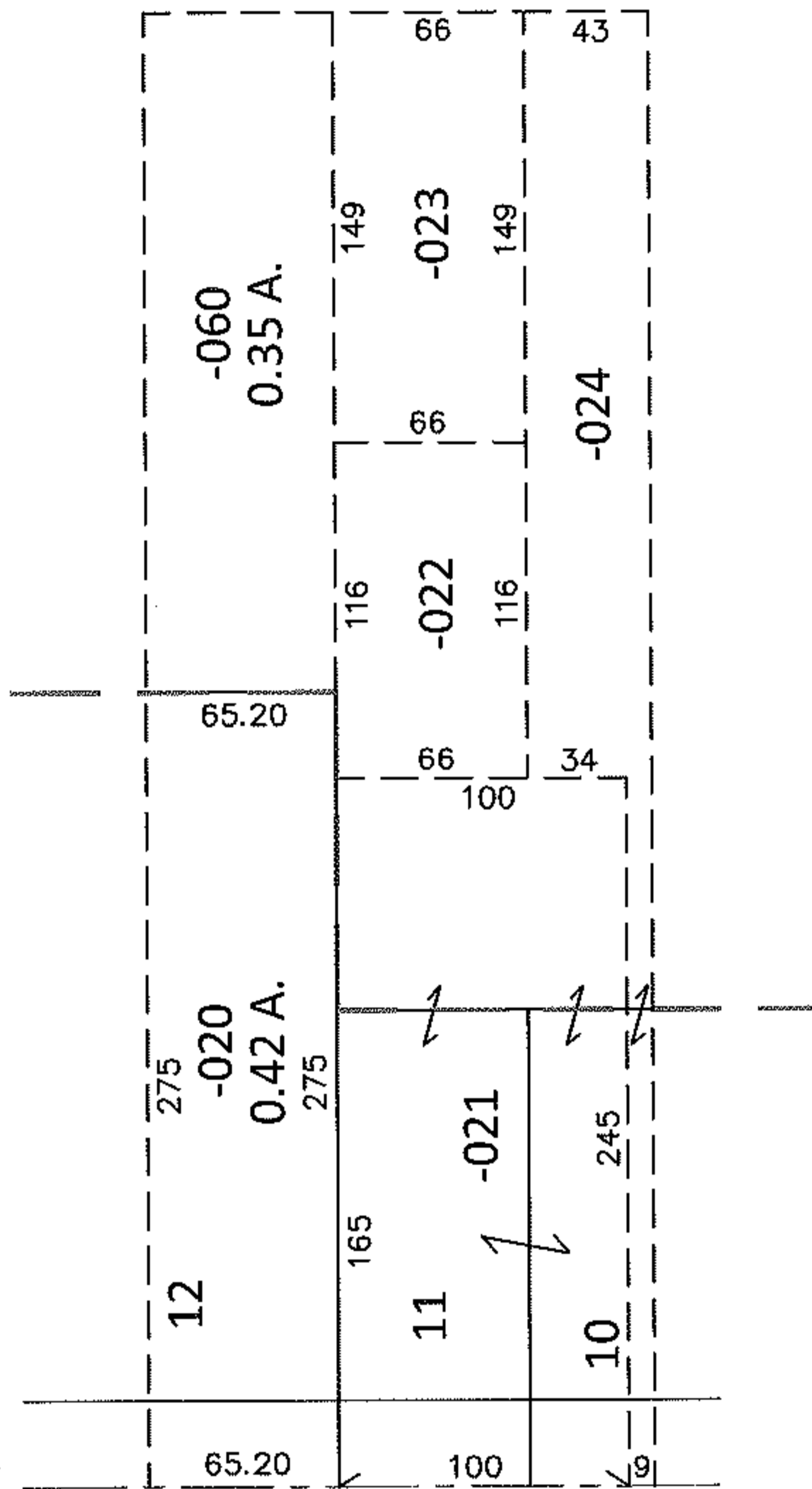
10-02065-D

STRAIGHT TRANS

09-00-084-101-020 0.42 A.  
09-00-084-101-060 0.35 A.



OLD MAP

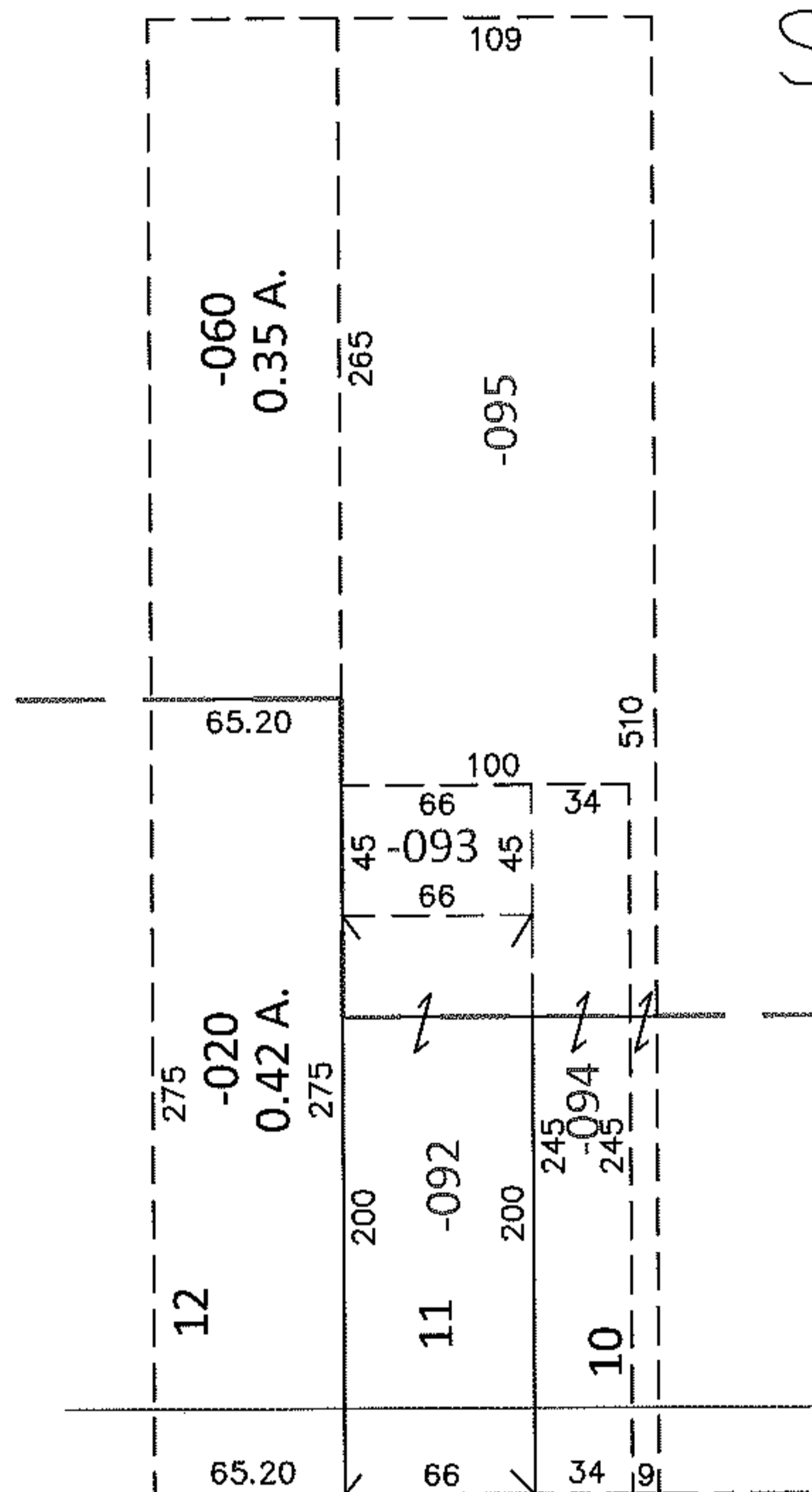


COLLEGE ST.

DROP FROM DUP.

09-00-084-101-021 66 X 165  
09-00-084-101-022 66 X 116  
09-00-084-101-023 66 X 149  
09-00-084-101-024 9 X 480

NEW MAP



COLLEGE ST.

ADD TO DUP.

09-00-084-101-092 66 X 200  
09-00-084-101-093 66 X 45  
09-00-084-101-094 34 X 245  
09-00-084-101-095 9 X 510 IRR

SPLITS/DEEDS PROCESSED

LORAIN COUNTY TAX MAP DEPARTMENT  
226 MIDDLE AVE. ELYRIA, OHIO

SURVEYED BY: N/A  
CLOSURE: N/A  
MAP PAGE(S): 9-00-084-B  
APPROVED BY: RRM DATE: 8/10/10  
SCALE: 1" = 100 PRIOR INST.: 19910154607

