

RASTER

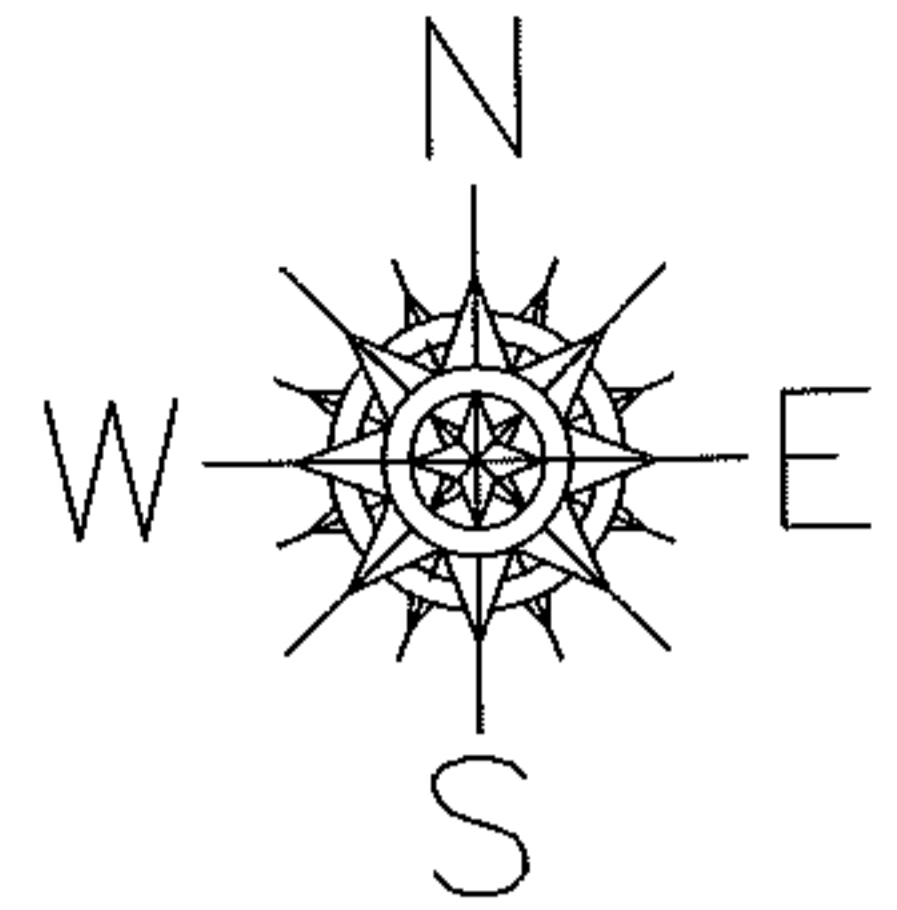
PARENT PARCEL: 06-26-023-102-028

CHILD PARCEL:

STARTING POINT: NORTHEAST CORNER OF S/L 13 IN HEMAN ELY'S ADD. VOL. 1 PG. 42

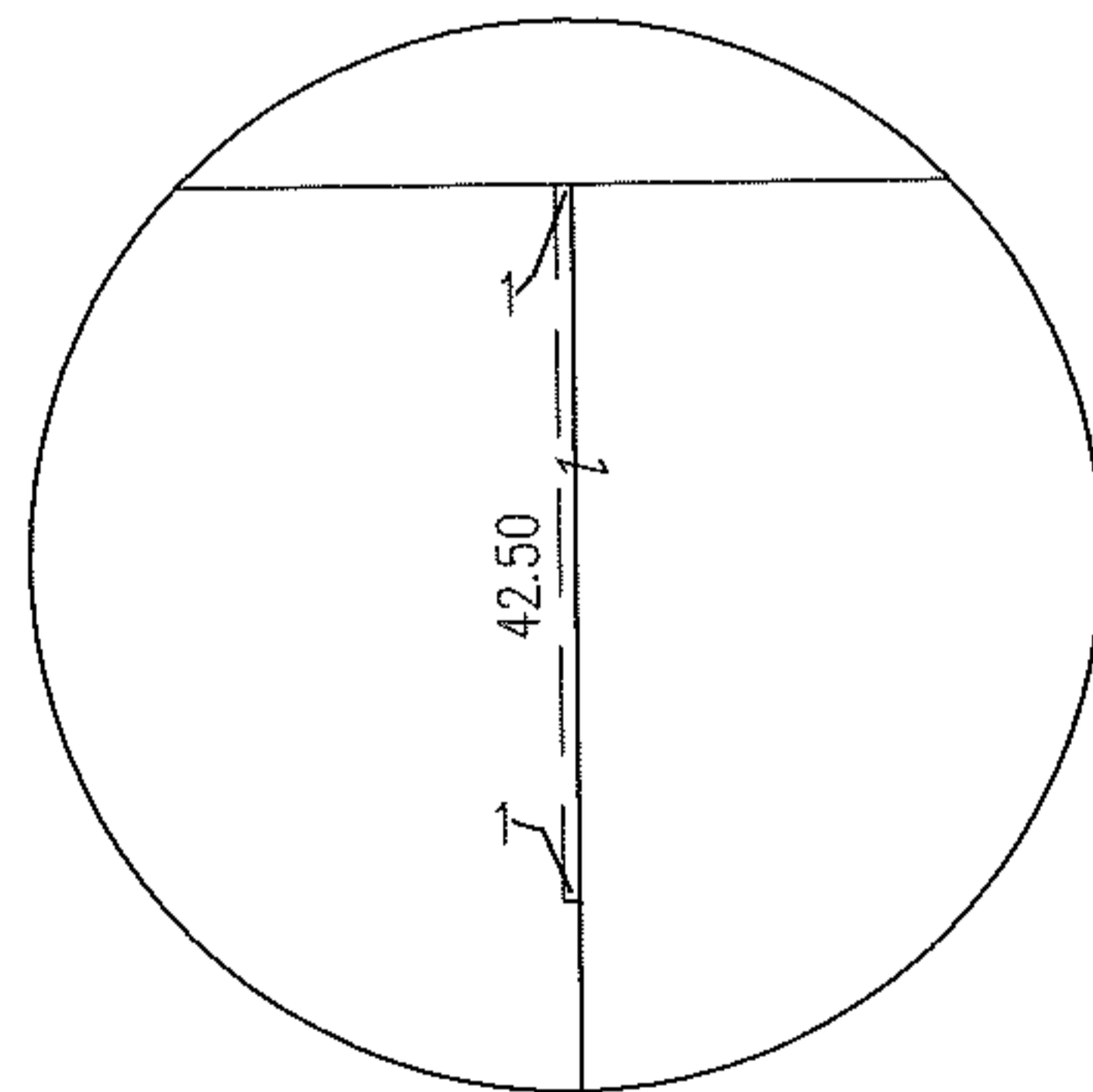
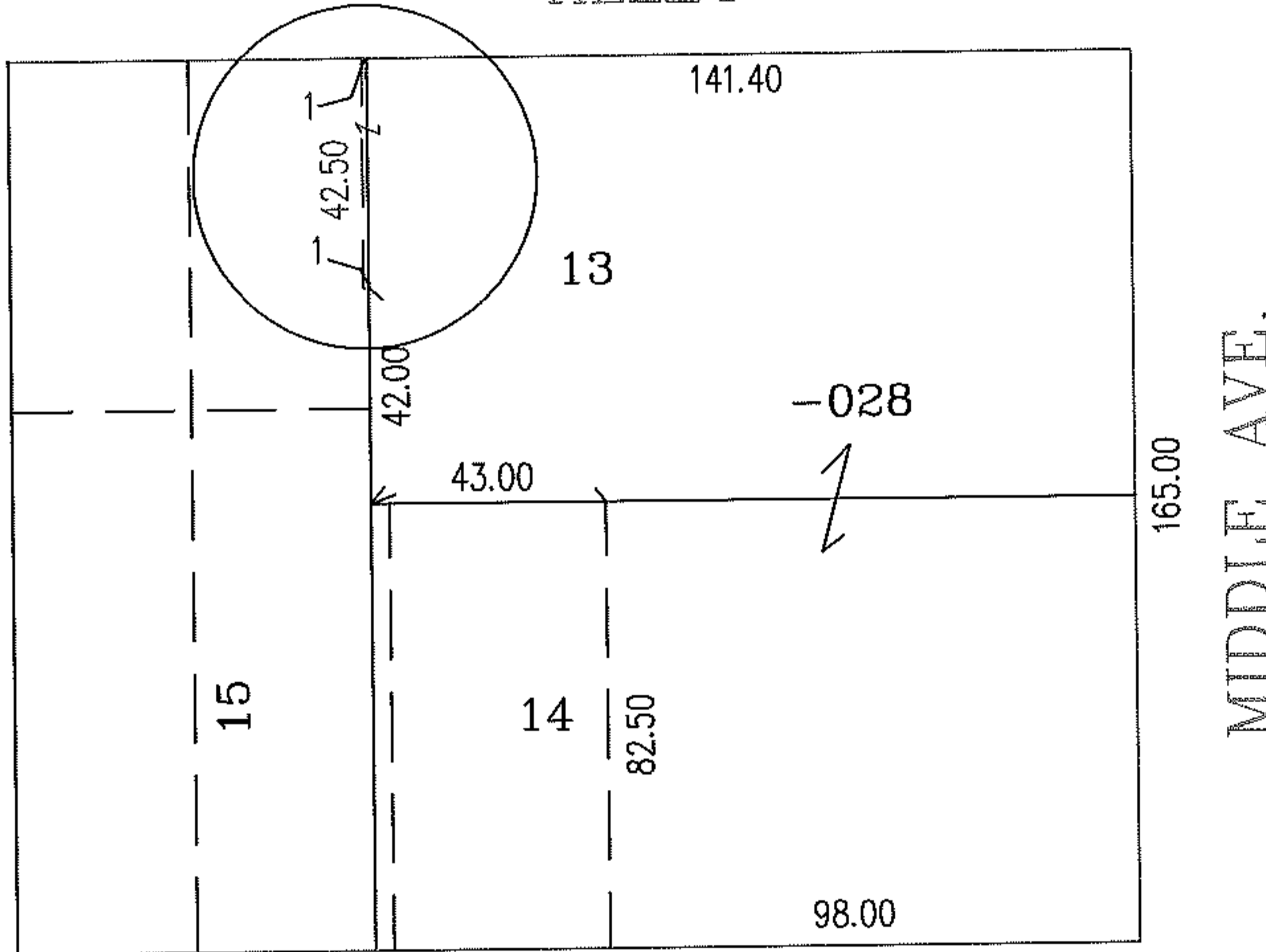
08-01658-C

MAP CORRECTION ONLY



SEE DETAIL

ALLEY



DETAIL 1" = 25'

SPLITS/DEEDS PROCESSED

LORAIN COUNTY TAX MAP DEPARTMENT  
226 MIDDLE AVE. ELYRIA, OHIO

SURVEYED BY: \_\_\_\_\_  
 CLOSURE: N/A  
 MAP PAGE(S): 06-137  
 APPROVED BY: RRM DATE: 6-10-08  
 SCALE: 1" = 50' PRIOR INSTRUMENT: 990588124