

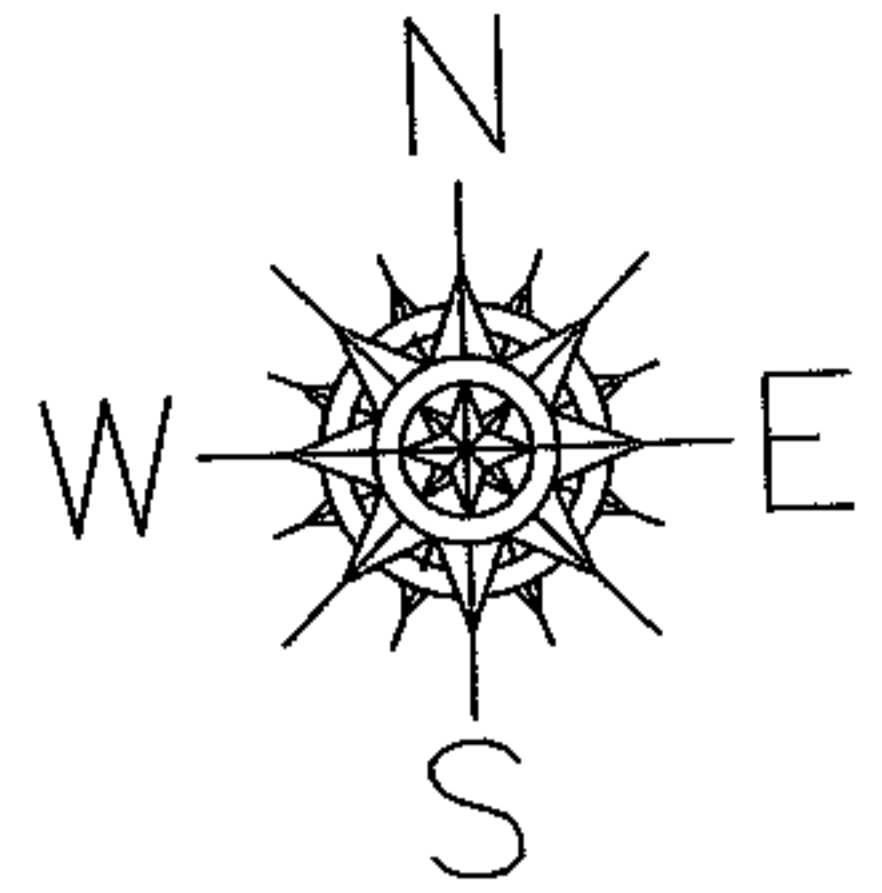
RASTER

PARENT PARCEL: 05-00-024-101-001

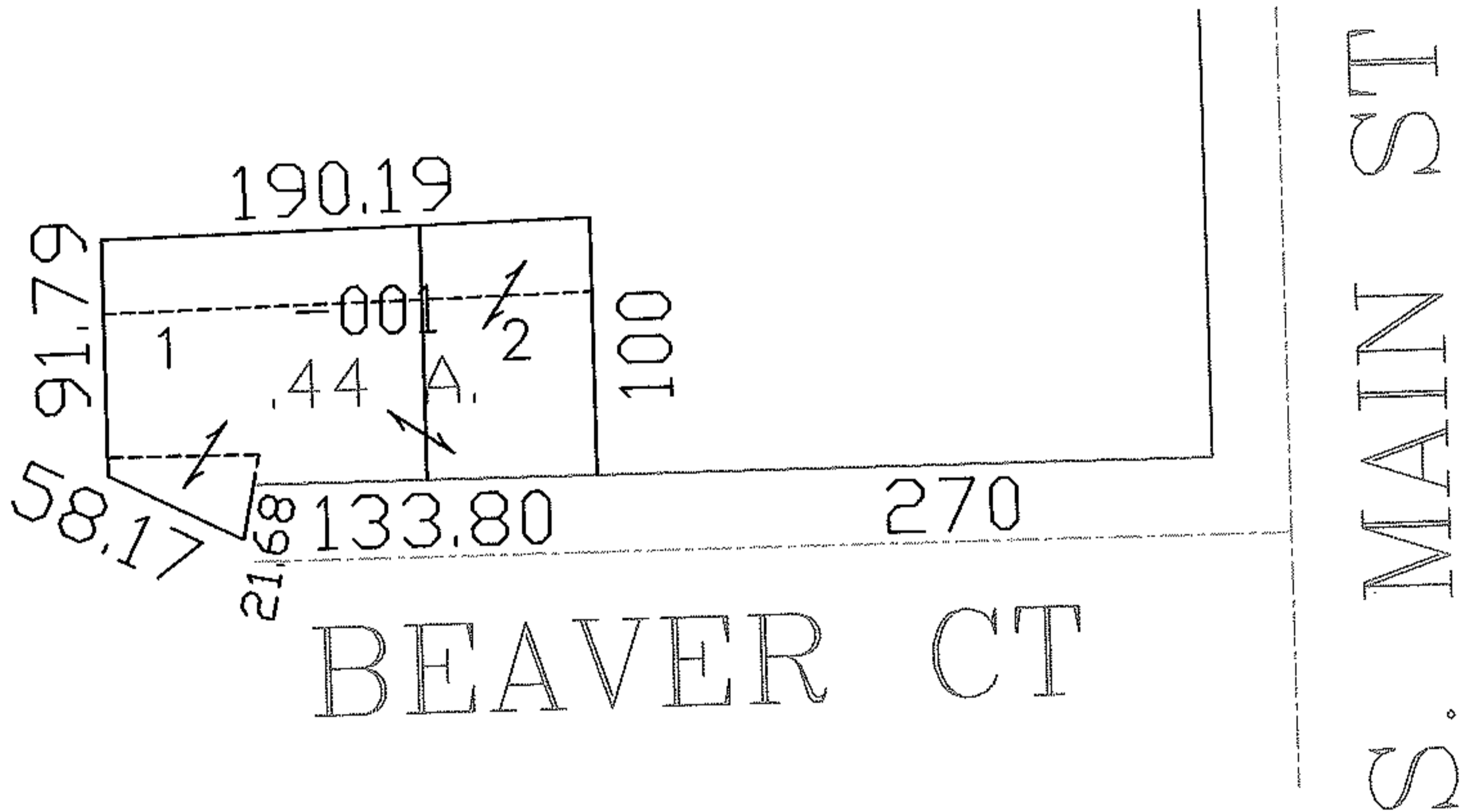
CHILD PARCEL: --SAME--

STARTING POINT: INT W ROW OF S. MAIN ST AND N ROW OF BEAVER CT

06-01394-D



AC. CORR.
PER SURVEY
EHTESHAM M. SUHAIL



SPLITS/DEEDS PROCESSED

LORAIN COUNTY TAX MAP DEPARTMENT
226 MIDDLE AVE. ELYRIA, OHIO

SURVEYED BY: EHTESHAM M. SUHAIL

CLOSURE: 1:10,000

MAP PAGE(S): 05-00-024-A

APPROVED BY: DRH DATE: 9/1/2006

SCALE: 1" = 100 PRIOR INSTRUMENT: 20030971077