

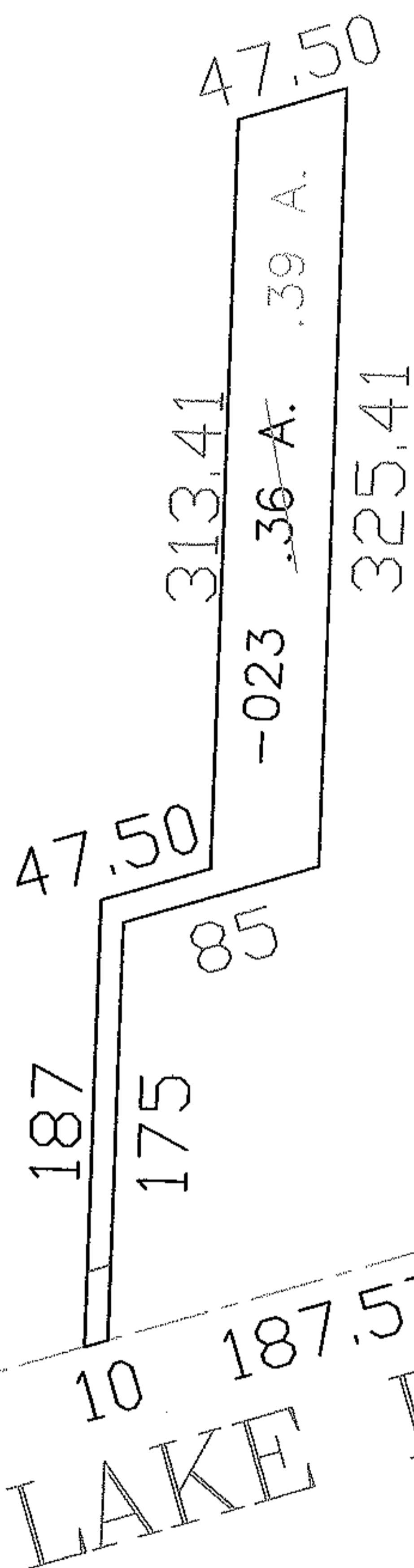
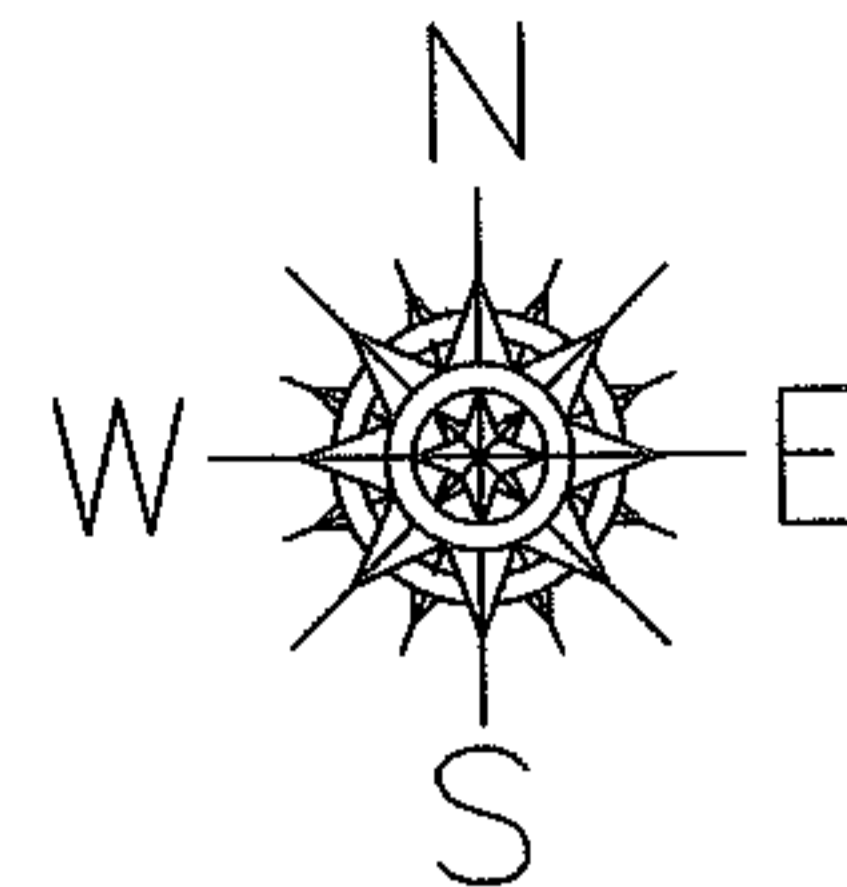
MASTER

PARENT PARCEL: 03-00-033-101-023

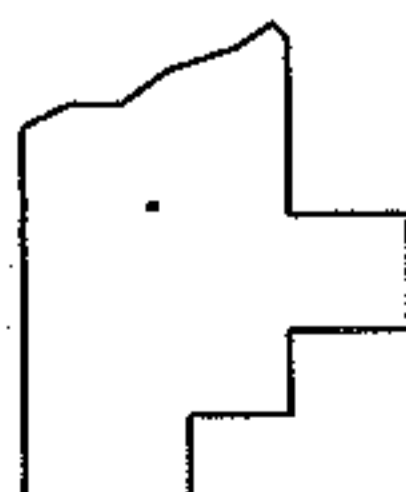
CHILD PARCEL: --SAME--

STARTING POINT: MON BOX INT LAKE RD AND LYNNE RD

NO. 01093-X



AC. CORR.  
PER SURVEY  
THOMAS M. SNEZEK



**SPLITS/DEEDS PROCESSED**

LORAIN COUNTY TAX MAP DEPARTMENT  
226 MIDDLE AVE. ELYRIA, OHIO

SURVEYED BY: THOMAS M. SNEZEK

CLOSURE: 1:10,000

MAP PAGE(S): 03-00-033-A

APPROVED BY: DRH DATE: 12/30/2004

SCALE: 1" = 100 PRIOR INSTRUMENT: 20040987250