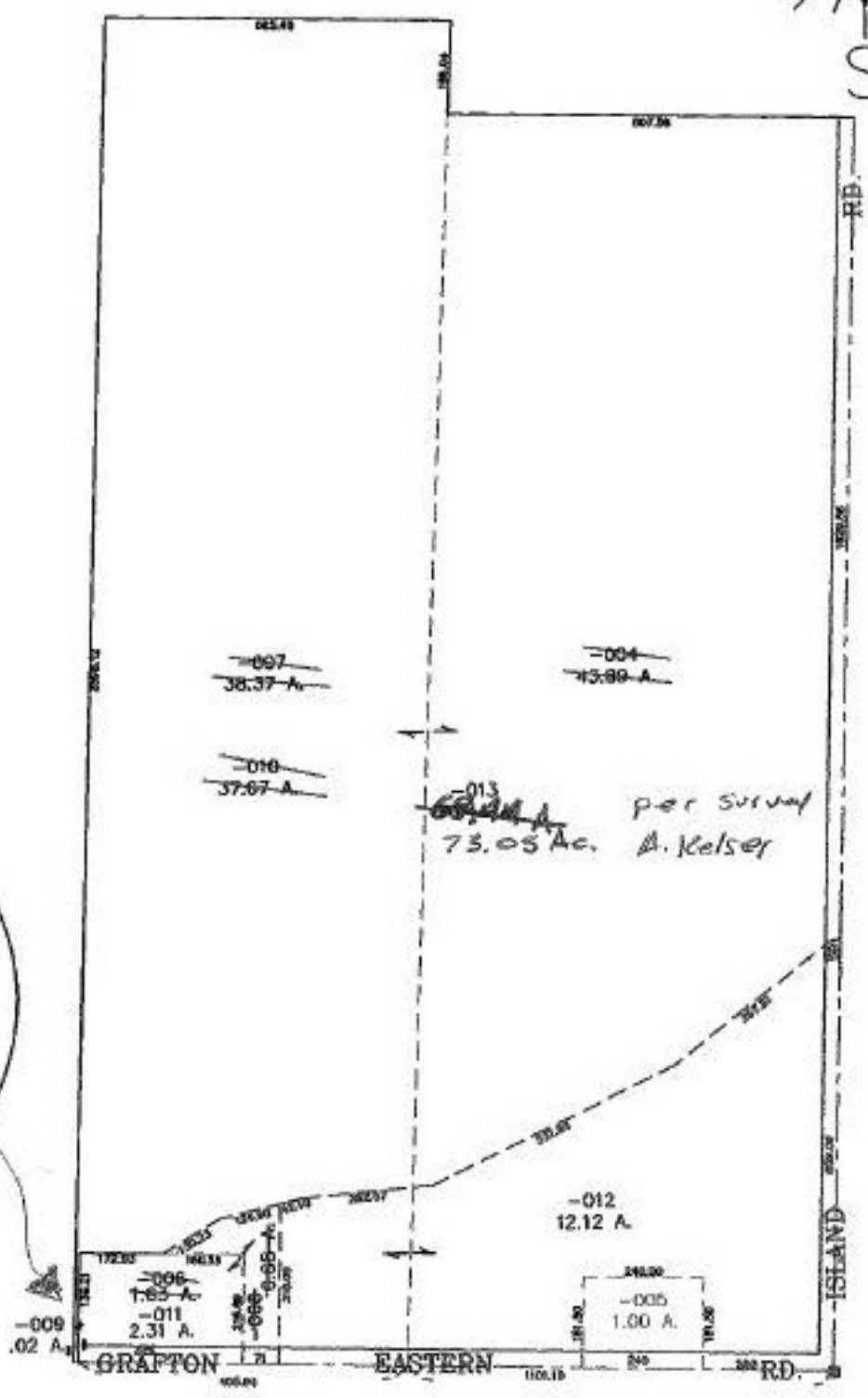


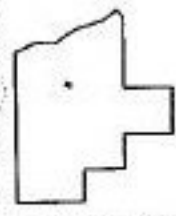
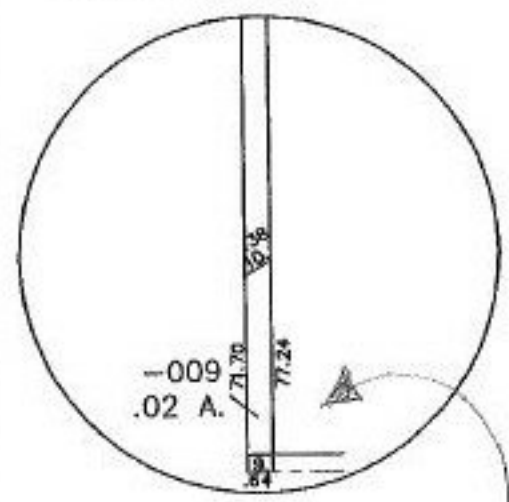
RASTER

PARENT PARCEL: 16-00-014-000-004 & -007  
CHILD PARCEL: 16-00-014-000-008 thru -013  
STARTING POINT: CENTERLINE OF GRAFTON EASTERN RD. & ISLAND RD.

NO. 00721



DETAIL NOT TO SCALE



**SPLITS/DEEDS PROCESSED**  
LORAIN COUNTY TAX MAP DEPARTMENT  
226 MIDDLE AVE. ELYRIA, OHIO

SURVEYED BY: ALEX KELSNER  
CLOSURE: 0.01 : 10.000  
MAP PAGE(S): 16-C  
APPROVED BY: JAH DATE: 4-17-01  
SCALE: 1" = 400' PRIOR INSTRUMENT: DV 1097/326