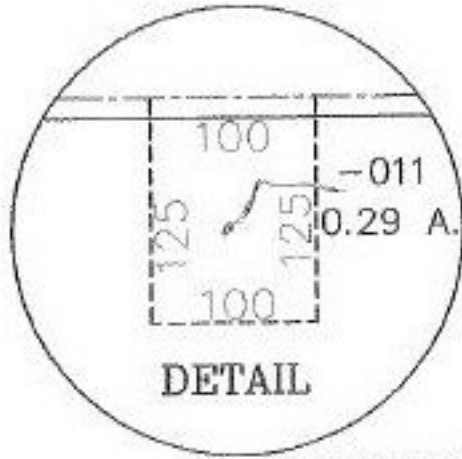


RASTER

PARENT PARCEL: 09-00-051-000-010
CHILD PARCEL: 09-00-051-000-011, -012
STARTING POINT: CENTERLINE OF GARFIELD & QUARRY RD.

NO. 00578



SPLITS/DEEDS PROCESSED
LORAIN COUNTY TAX MAP DEPARTMENT
226 MIDDLE AVE. ELYRIA, OHIO

SURVEYED BY: BRADLEY WAYNE HENRY
CLOSURE: 0.00 : 10.000
MAP PAGE(S): 9-F
APPROVED BY: JAH DATE: 10-5-00
SCALE: 1" = 500' PRIOR INSTRUMENT: 990588716