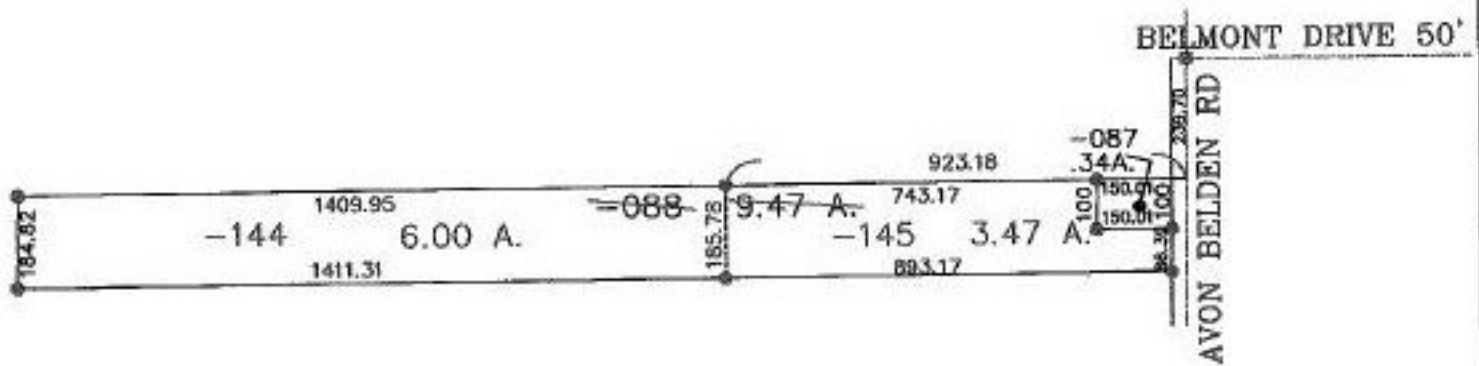


PARENT PARCEL: 04-00-017-102-088

CHILD PARCEL: 04-00-017-102-144, -145

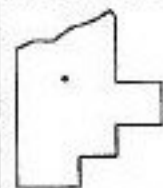
STARTING POINT: MON BOX INT OF CL BELMONT DR & CL AVON BELDEN RD

NO. 00173



9-26-99

PRIOR INSTRUMENT: DV 1188/373  
PRIOR INSTRUMENT: DV 1027/709



**SPLITS/DEEDS PROCESSED**  
LORAIN COUNTY TAX MAP DEPARTMENT  
226 MIDDLE AVE. ELYRIA, OHIO

SURVEYED BY: DAVID E. ELWELL  
CLOSURE: 0.02 : 10,000  
MAP PAGE(S): 04-00-017-F + E  
APPROVED BY: DRH DATE: 8/4/99  
SCALE: 1" = 400'