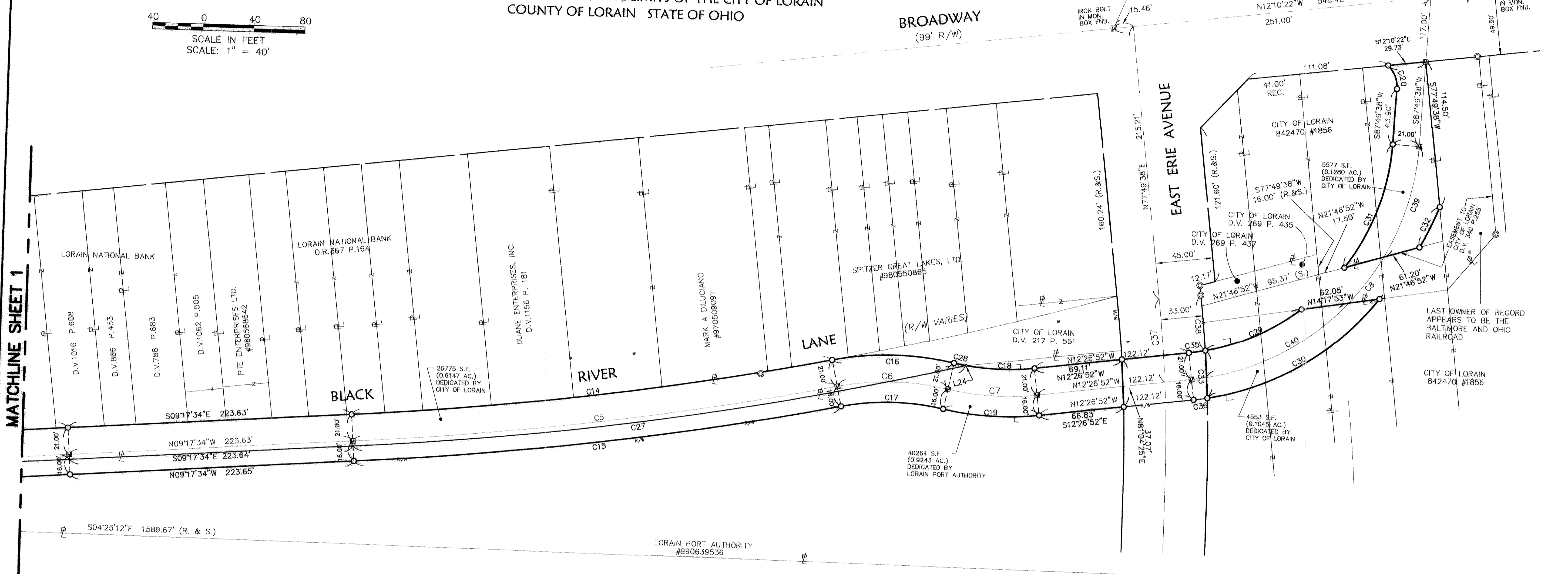
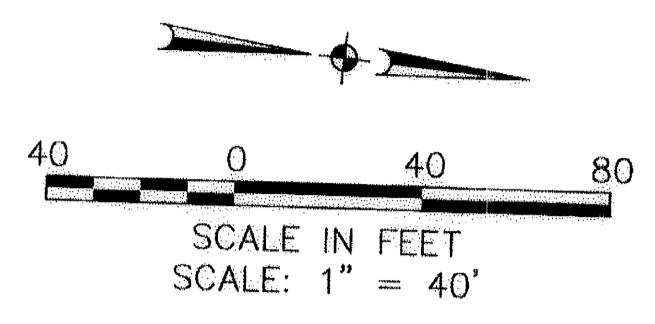


**BLACK RIVER LANE
(FORMERLY RIVERFRONT PLACE)
STREET DEDICATION PLAT**

PART OF ORIGINAL BLACK RIVER TOWNSHIP LOT 3 TRACT 1
NOW WITHIN THE CORPORATE LIMITS OF THE CITY OF LORAIN
COUNTY OF LORAIN STATE OF OHIO



MATCHLINE SHEET 1

SURVEYOR'S CERTIFICATE

I hereby certify that the plan shown hereon is correct; that it is a dedication of the lands conveyed by the City of Lorain and Lorain Port Authority; and that it has been based on the results of an on-the-ground survey that has been performed by me or under my supervision.

Mark A. Yeager
Mark A. Yeager Date 4/7/03
Professional Surveyor Ohio No. 7289



LEGEND

- ☒ — IRON PIN FOUND IN MONUMENT BOX
- — IRON PIN/PIPE FOUND
- — IRON PIN/PIPE SET
- — DRILL HOLE
- — PKNAIL

AREA OF LAND TO BE DEDICATED

TOTAL = 2.0726 AC.

OWNER'S DEDICATION

THE OWNERS LISTED BELOW OF THE PROPERTY SHOWN HEREON ACCEPT THIS STREET DEDICATION PLAT TO BE CORRECT AND DO HEREBY DEDICATE THE STREET TO PUBLIC USE.

Craig Miller 5/1/03
FOR: CITY OF LORAIN DATE

Ruth M. Nowak 5/19/03
FOR: LORAIN PORT AUTHORITY DATE

NOTARY PUBLIC

STATE OF OHIO SS
LORAIN COUNTY

BEFORE ME, A NOTARY PUBLIC, IN AND FOR SAID COUNTY AND STATE DID PERSONALLY APPEAR THE ABOVE SIGNED REPRESENTATIVES, WHO ACKNOWLEDGED THE SIGNING OF THIS PLAT TO BE THEIR VOLUNTARY ACT AND DEED FOR THE PURPOSES THEREIN EXPRESSED. IN WITNESS WHEREOF I HAVE HEREUNTO SET MY HAND AND OFFICIAL SEAL THIS 19 DAY OF May, 2003.

Michael Darius
NOTARY PUBLIC
MICHAEL DARIUS
NOTARY PUBLIC, State of Ohio
My Commission Expires September 28, 2005

DATE: 2-08-01	REVISIONS	REVISIONS	REVISIONS
DRAWN BY: AMK/BER	DATE	DESCRIPTION	BY
CHKD BY: G-PLATU	11-12-02	REVISED PER COMMENTS	ABR
DWG. NAME: G-PLATU			
PATH: 0019			
 HS ASSOCIATES 260 Burns Road, Suite 100 P.O. Box 509 Lorain, Ohio 44036 Phone: (440) 323-3547/30 Fax: (440) 323-3547/30 mail@hssoc.com www.hssoc.com			
DEDICATION PLAT			
SHEET 2	OF 2		
JOB NO. 00119			