

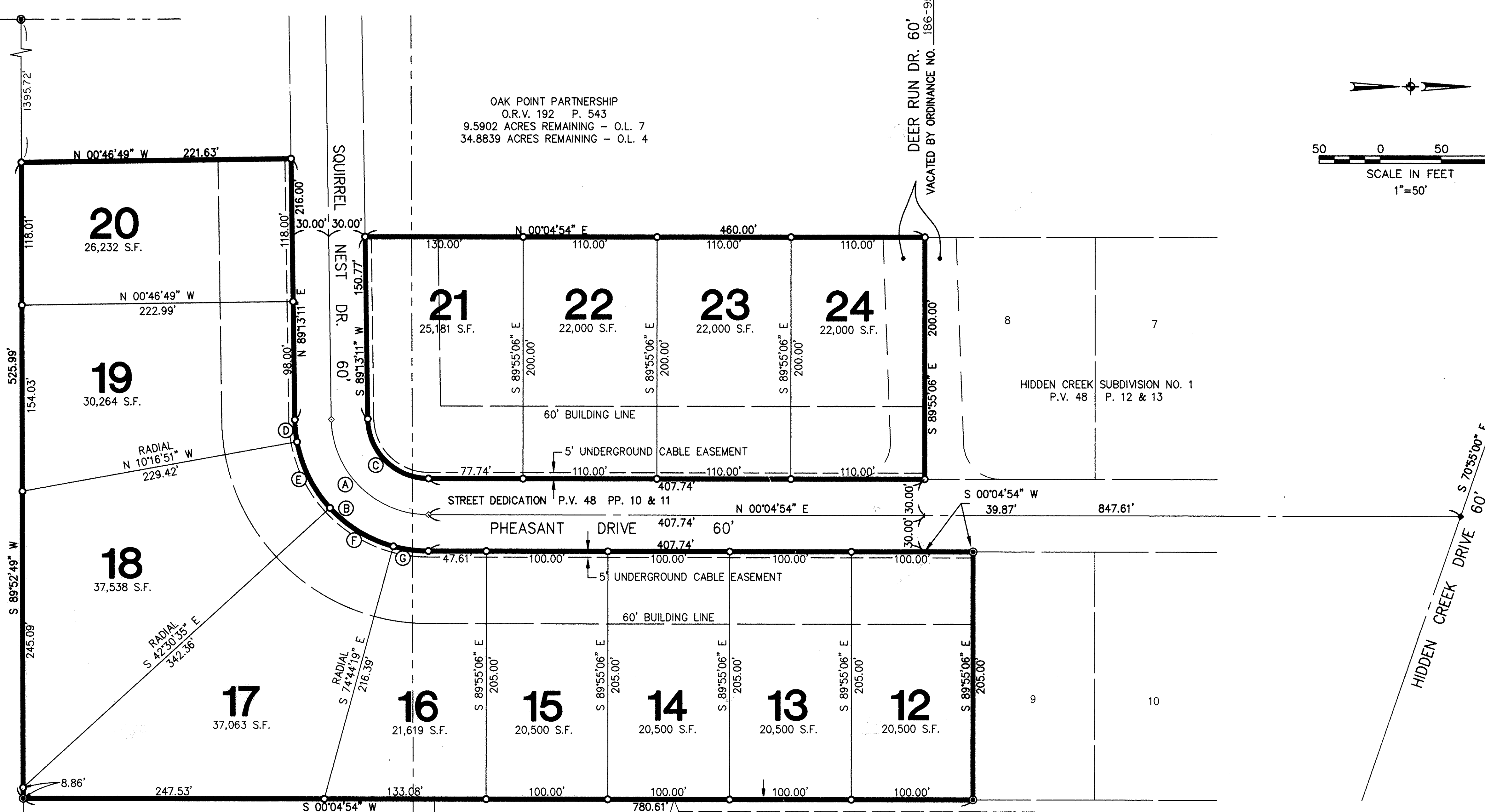
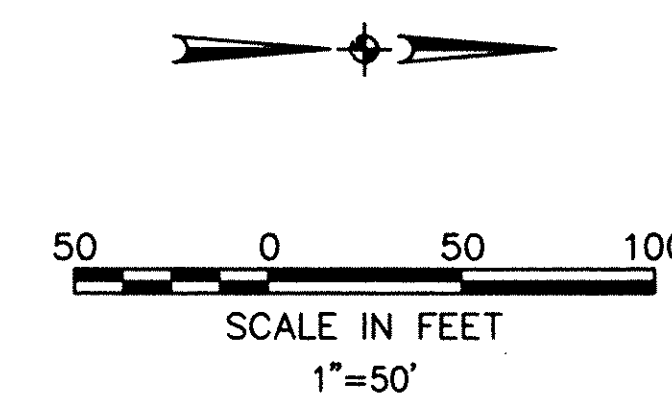


ORIGINAL LOT 8  
ORIGINAL LOT 7

OHIO EDISON COMPANY  
D.V. 648 P. 197

OAK POINT PARTNERSHIP  
O.R.V. 192 P. 543  
9.5902 ACRES REMAINING - O.L. 7  
34.8839 ACRES REMAINING - O.L. 4

DEER RUN DR. 60'  
VACATED BY ORDINANCE NO. 1866-95



DR. JUNG HUH  
D.V. 1142 P. 340  
YOO SOOK HUH  
O.R.V. 725 P. 910

OWNER AT TIME OF SURVEY  
CURRENT OWNER

JUNG HUH & YOO SOOK HUH  
O.R.V. 5 P. 330

OAK POINT PARTNERSHIP  
O.R.V. 192 P. 543

AREA IN SUBLOTS 7.4186 ACRES  
AREA IN ORIGINAL LOT 7 3.3804 ACRES  
AREA IN ORIGINAL LOT 4 4.1012 ACRES

LEGEND

- INDICATES IRON PIN FOUND
- INDICATES IRON PIN SET
- ◆ INDICATES MONUMENT FOUND
- ◇ INDICATES MONUMENT SET

CURVE TABLE

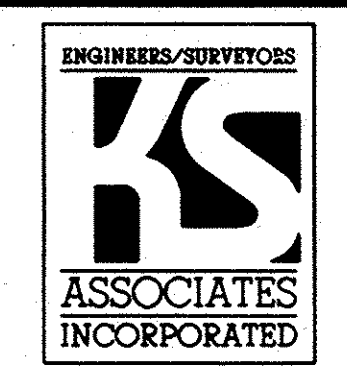
CURVE	RADIUS	LENGTH	TANGENT	CHORD	BEARING	DELTA
A	80.00'	124.46'	78.81'	112.28'	N 44°39'02" E	89°08'17"
B	110.00'	171.13'	108.36'	154.39'	N 44°39'03" E	89°08'17"
C	50.00'	77.79'	49.25'	70.18'	S 44°39'02" W	89°08'17"
D	110.00'	18.24'	9.14'	18.22'	N 84°28'11" E	09°30'02"
E	110.00'	61.88'	31.78'	61.06'	N 63°36'17" E	32°13'44"
F	110.00'	61.88'	31.78'	61.06'	N 31°22'33" E	32°13'44"
G	110.00'	29.14'	14.66'	29.06'	N 07°40'18" E	15°10'47"

LORAIN COUNTY TAX  
MAP DEPARTMENT COPY

DATE: 10-02-95	
DRAWN BY: ABR	
CH'D BY:	
F.B. FILE	
DWG. NAME: 89252-2/SUB2	
REVISIONS	
10-02-95 ORIGINAL ISSUE	

HIDDEN CREEK SUBDIVISION NO. 2  
BEING PART OF  
BLACK RIVER TOWNSHIP TRACT 3 ORIGINAL LOTS 4 & 7  
CITY OF LORAIN COUNTY OF LORAIN STATE OF OHIO

KS ASSOCIATES, INC.  
ENGINEERS/SURVEYORS  
424 Middle Avenue  
P.O. Box 89  
Elyria, Ohio 44036  
ELYRIA (216) 322-6317 \* LORAIN (216) 244-5757



SHEET 2 OF 2  
JOB NO. 89252-2