

# CENTERLINE SURVEY PLAT

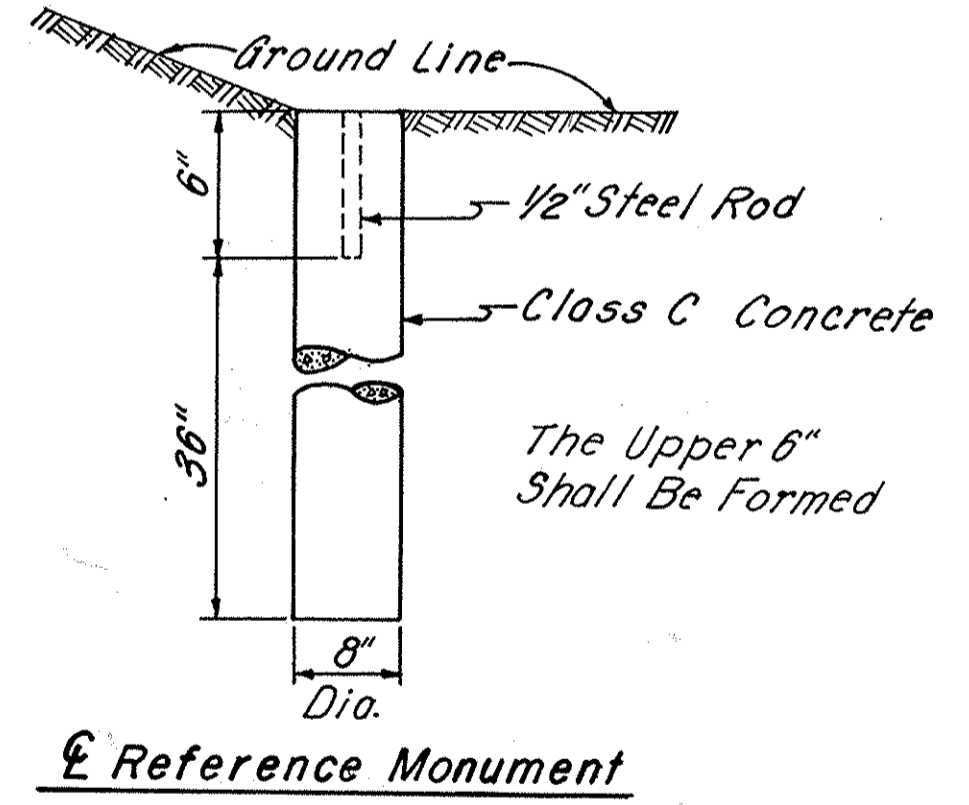
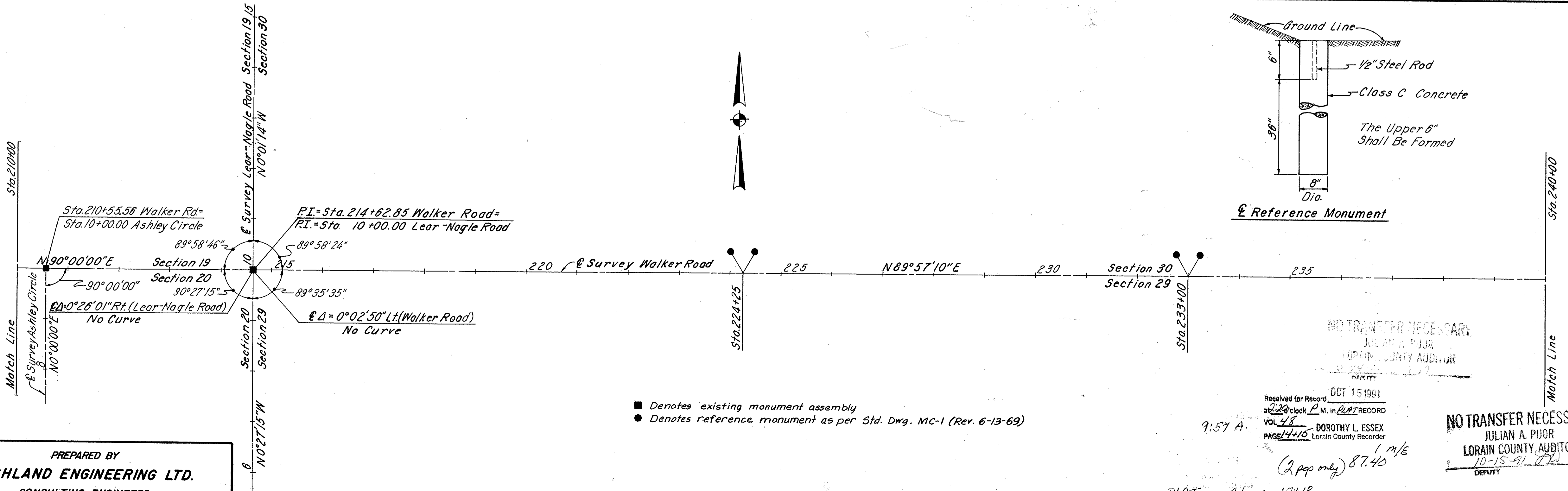
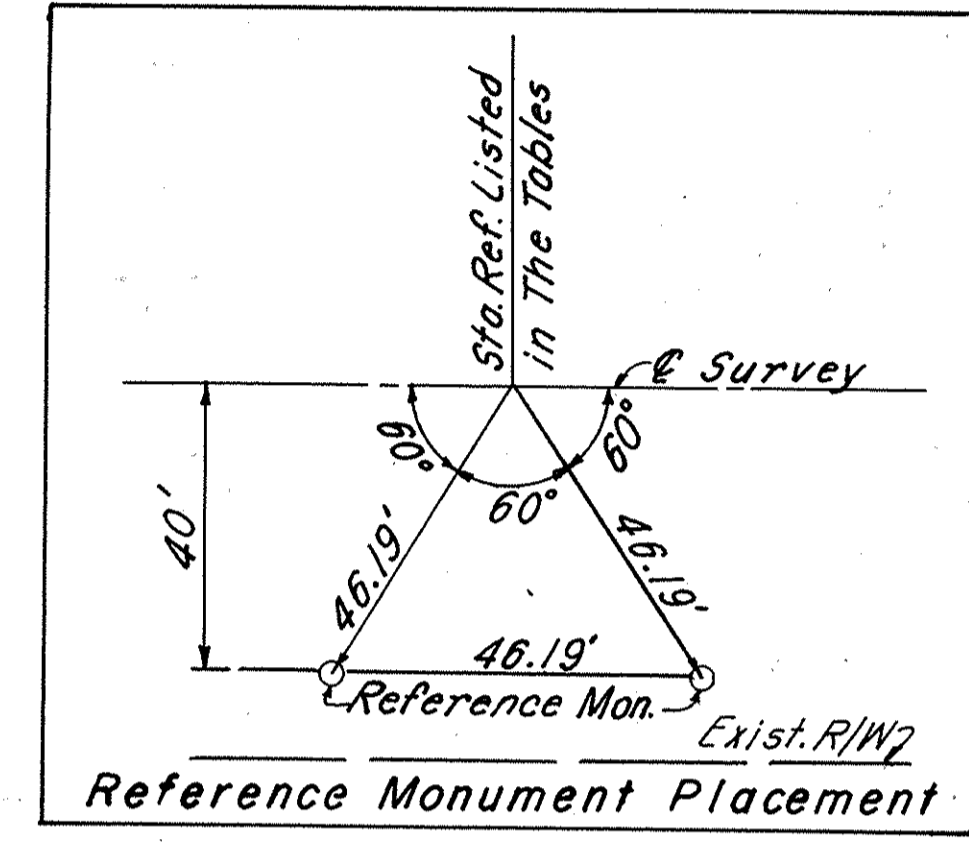
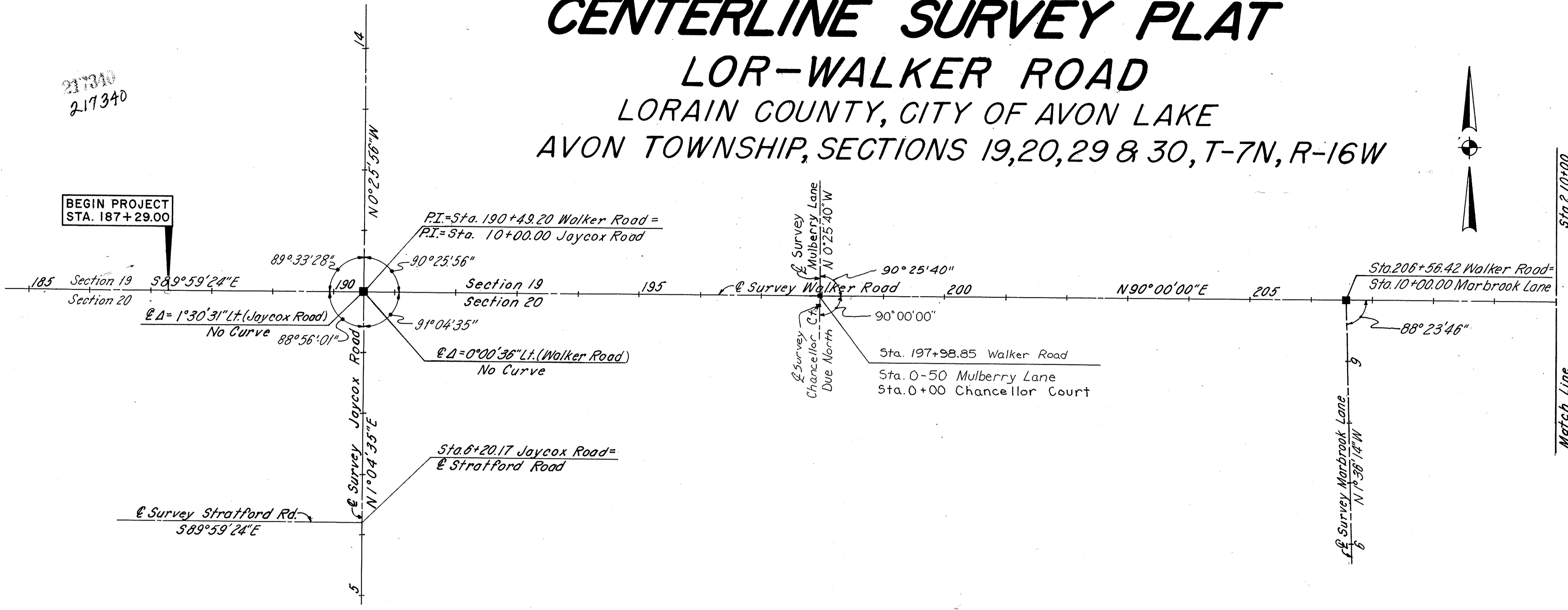
## LOR-WALKER ROAD

LORAIN COUNTY, CITY OF AVON LAKE  
AVON TOWNSHIP, SECTIONS 19, 20, 29 & 30, T-7N, R-16W

STATE JOB NUMBER	FED. RD. DIVISION	STATE	PROJECT	131 142
03452(0)	5	OHIO	M-9C00(1)	

LOR-WALKER ROAD  
R/W PLANS 0 200 1  
12  
1  
2

BEGIN PROJECT  
STA. 187+29.00



- Denotes existing monument assembly
- Denotes reference monument as per Std. Dwg. MC-1 (Rev. 6-13-69)

PREPARED BY  
**RICHLAND ENGINEERING LTD.**  
CONSULTING ENGINEERS  
MANSFIELD, OHIO

LORAIN COUNTY TAX  
MAP DEPARTMENT COPY

Received for Record  
at 2:29 clock P.M. in PLAT RECORD  
VOL 48  
PAGE 14+15  
DOROTHY L. ESSEX  
Lorain County Recorder

NO TRANSFER NECESSARY  
JULIAN A. PIJOR  
LORAIN COUNTY AUDITOR  
10-15-91  
DEPUTY

# CENTERLINE SURVEY PLAT

## LOR-WALKER ROAD

LORAIN COUNTY, CITY OF AVON LAKE  
AVON TOWNSHIP, SECTIONS 29 & 30, T-7N, R-16W

STATE JOB NUMBER	FED. RD. DIVISION	STATE	PROJECT
03452(0)	5	OHIO	M-9C00(1)

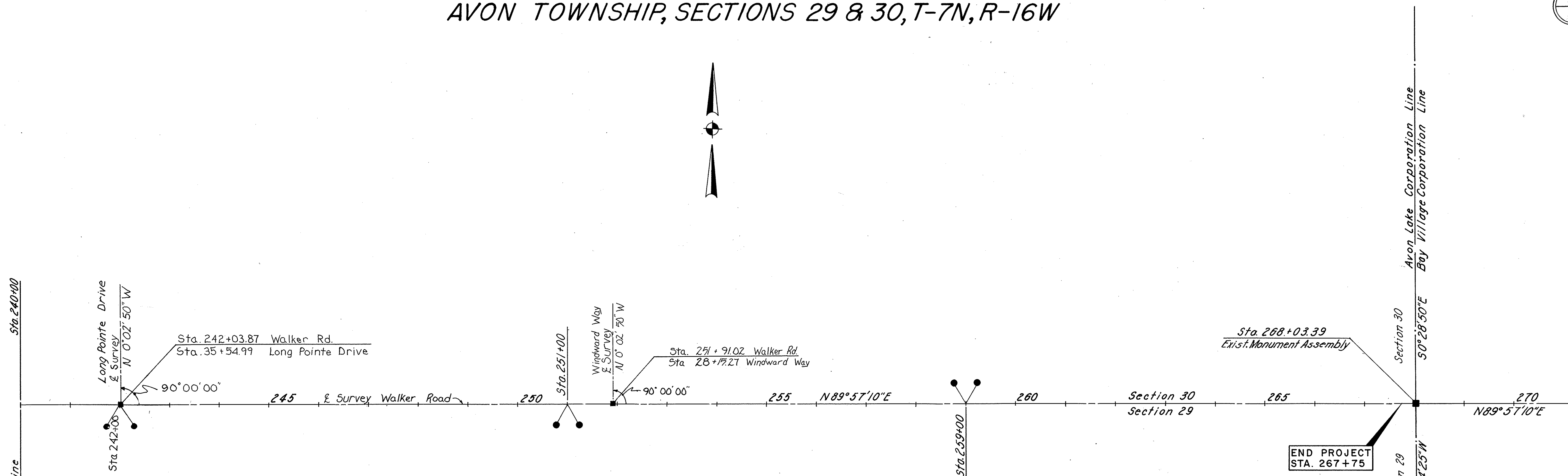
LOR-WALKER ROAD  
R/W PLANS 0 200

217340

132  
142

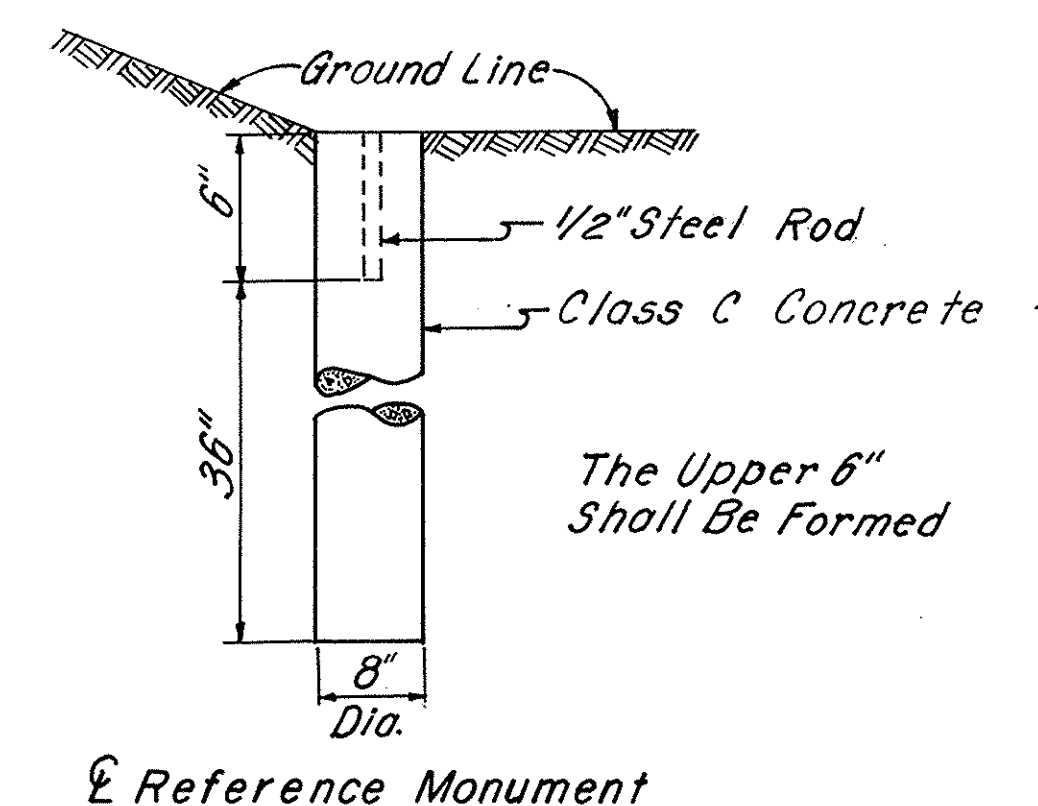
2  
12

2  
2



Note: Reference monuments are to be placed after construction in the vicinity of the monuments is completed. All monuments are to be placed under the direction of a registered surveyor. Any alternations shall be noted and the Avon Lake City Engineer and the Ohio Department of Transportation shall be notified of the new location.

- Denotes existing monument assembly
- Denotes reference monument as per Std. Dwg. MC-1 (Rev. 6-13-69)



Ref. Mon.	Mon. Box Adjusted to Grade	Station	Location	Remarks
	1	P.I. 190+49.20	℄	P.I. @ Jaycox
	1	197+98.85	℄	P.O.T. Chancellor Cr.
2		198+00.00	40' South of ℄	P.O.T.
	1	206+56.42	℄	P.O.T. @ Marbrook Lane
	1	210+55.56	℄	P.O.T. @ Ashley Circle
	1	P.I. 214+62.85	℄	P.I. @ Lear-Nagle ℄
2		224+25.00	40' North of ℄	P.O.T.
2		233+00.00	40' North of ℄	P.O.T.
	1	242+03.87	℄	P.O.T. @ Long Pointe
2		242+00.00	40' North of ℄	P.O.T.
2		251+00.00	40' South of ℄	P.O.T.
	1	251+91.02	℄	P.O.T. @ Windward Way
2		259+00.00	40' North of ℄	P.O.T.
		268+03.39		
12	7	Totals		

NO TRANSFER NECESSARY  
DAVID A. POOR  
LORAIN COUNTY A.L.L. 1988

RECEIVED \_\_\_\_\_  
RECORDED \_\_\_\_\_  
PLAT BOOK \_\_\_\_\_ PAGE \_\_\_\_\_  
FEE PAID \_\_\_\_\_  
LORAIN COUNTY RECORDER

I HEREBY CERTIFY THAT THIS PLAT IS A TRUE DELINEATION OF A SURVEY MADE FOR THE CITY OF AVON LAKE IN 1983 BY RICHLAND ENGINEERING LIMITED CONSULTING ENGINEERS.  
David A. Armstrong 4-14-86  
REG. SURVEYOR NO. 5788 DATE



PREPARED BY  
**RICHLAND ENGINEERING LTD.**  
CONSULTING ENGINEERS  
MANSFIELD, OHIO

LORAIN COUNTY TAX  
MAP DEPARTMENT COPY

REVISED 10-10-91 BY CITY OF AVON LAKE  
Updated 9/88 By Burgess & Niple