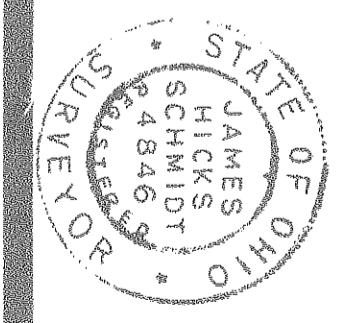


# RICHELIEU AVENUE

STREET DEDICATION PLAT  
PART OF ORIGINAL SHEFFIELD TOWNSHIP  
LOT NUMBER 37  
COUNTY OF LORAIN, STATE OF OHIO



**SURVEYORS CERTIFICATE:**  
THIS IS TO CERTIFY THAT AT THE REQUEST OF THE CITY OF SHEFFIELD LAKE, OWNER, I HAVE SURVEYED AND PLATTED RICHELIEU AVENUE CONTAINING 0.578 ACRES IN ORIGINAL SHEFFIELD TOWNSHIP LOT NUMBER 37. MEASUREMENTS ARE IN FEET AND DECIMAL PARTS THEREOF. BEARINGS ARE ASSUMED AND ARE FOR THE PURPOSE OF DESCRIBING ANGLES ONLY, ALL OF WHICH I CERTIFY TO BE CORRECT.

*James H. Schmidt*  
REGISTERED SURVEYOR

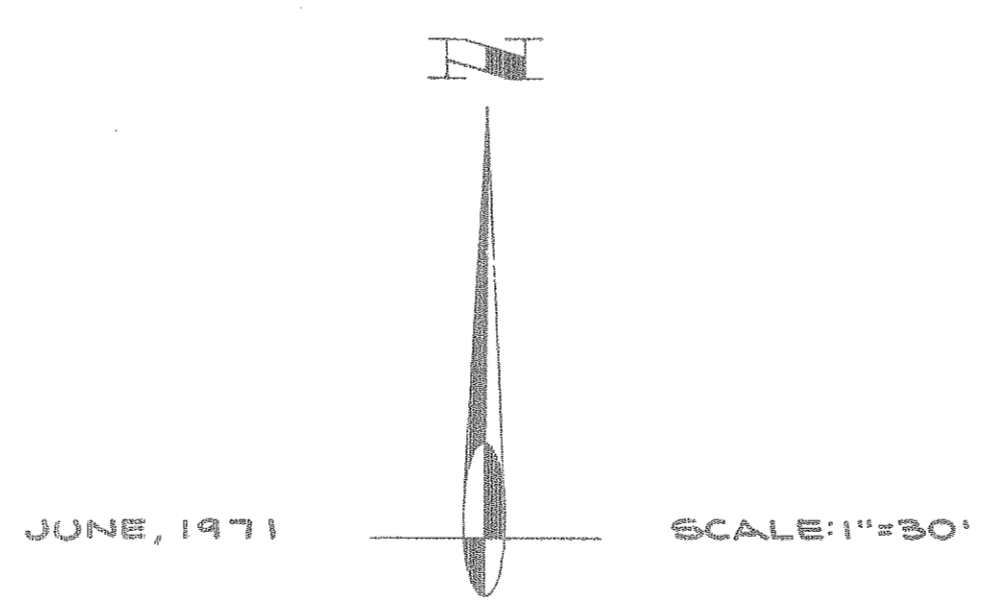
**CITY ENGINEER:**  
THIS IS TO CERTIFY THAT I HAVE EXAMINED THE FOREGOING PLAT OF RICHELIEU AVENUE AND I FIND THE MONUMENTS INDICATED ARE SUFFICIENT TO DEFINE THE STREET AS SHOWN HEREON IN COMPLIANCE WITH THE CITY OF SHEFFIELD LAKE REQUIREMENTS.

APPROVED 22 JUNE 1971.  
*Robert L. Swander, P.E.*  
ENGINEER

**OWNERS CERTIFICATE:**  
THIS IS TO CERTIFY THAT THE CITY OF SHEFFIELD LAKE REPRESENTED BY THE UNDERSIGNED MAYOR AND CLERK HAVING EXAMINED THE FOREGOING PLAT OF RICHELIEU AVENUE DO HEREBY ACCEPT THE SAME TO BE CORRECT AND DO HEREBY DEDICATE FOREVER TO PUBLIC USE THE AVENUE AS SHOWN HEREON.

*Bob Miller*  
MAYOR  
*Jane E. Eastin*  
CLERK

STATE OF OHIO) SS.  
CO. OF LORAIN) THIS IS TO CERTIFY THAT BE-



PREPARED BY  
**JAMES H. SCHMIDT**  
REGISTERED SURVEYOR  
NUMBER 4846  
ELYRIA, OHIO

FORE ME A NOTARY PUBLIC IN AND FOR SAID COUNTY AND STATE DID PERSONALLY APPEAR THE ABOVE SIGNED MAYOR AND CLERK OF THE CITY OF SHEFFIELD LAKE WHO ACKNOWLEDGED THE SIGNING OF THE ABOVE PLAT TO BE THEIR OWN FREE ACT AND DEED IN WITNESS WHEREOF I HAVE HEREUNTO SET MY HAND AND OFFICIAL SEAL THIS 22 DAY OF JUNE 1971.

*Janice J. Shuman*  
NOTARY PUBLIC  
MY COMMISSION EXPIRES: DECEMBER 1987  
EXPIRE

**CITY COUNCIL CERTIFICATE:**  
THIS WILL CERTIFY THAT THE ABOVE PLAT HAS BEEN ACCEPTED BY THE COUNCIL OF SHEFFIELD LAKE CITY BY RESOLUTION NO. 53-7 PASSED 22 JUNE 1971.

*Bob Miller*  
MAYOR  
*Jane E. Eastin*  
CLERK

RECEIVED FOR RECORD:

RECEIVED FOR RECORD  
AT 9:00 P.M.  
JUL - 1 1971  
RECORDED IN LORAIN COUNTY RECORDS  
Plot 26 Vol. 26 Page 25  
LEOTA B. MITCHELL  
Lorain County Recorder

*Jan 17 25*